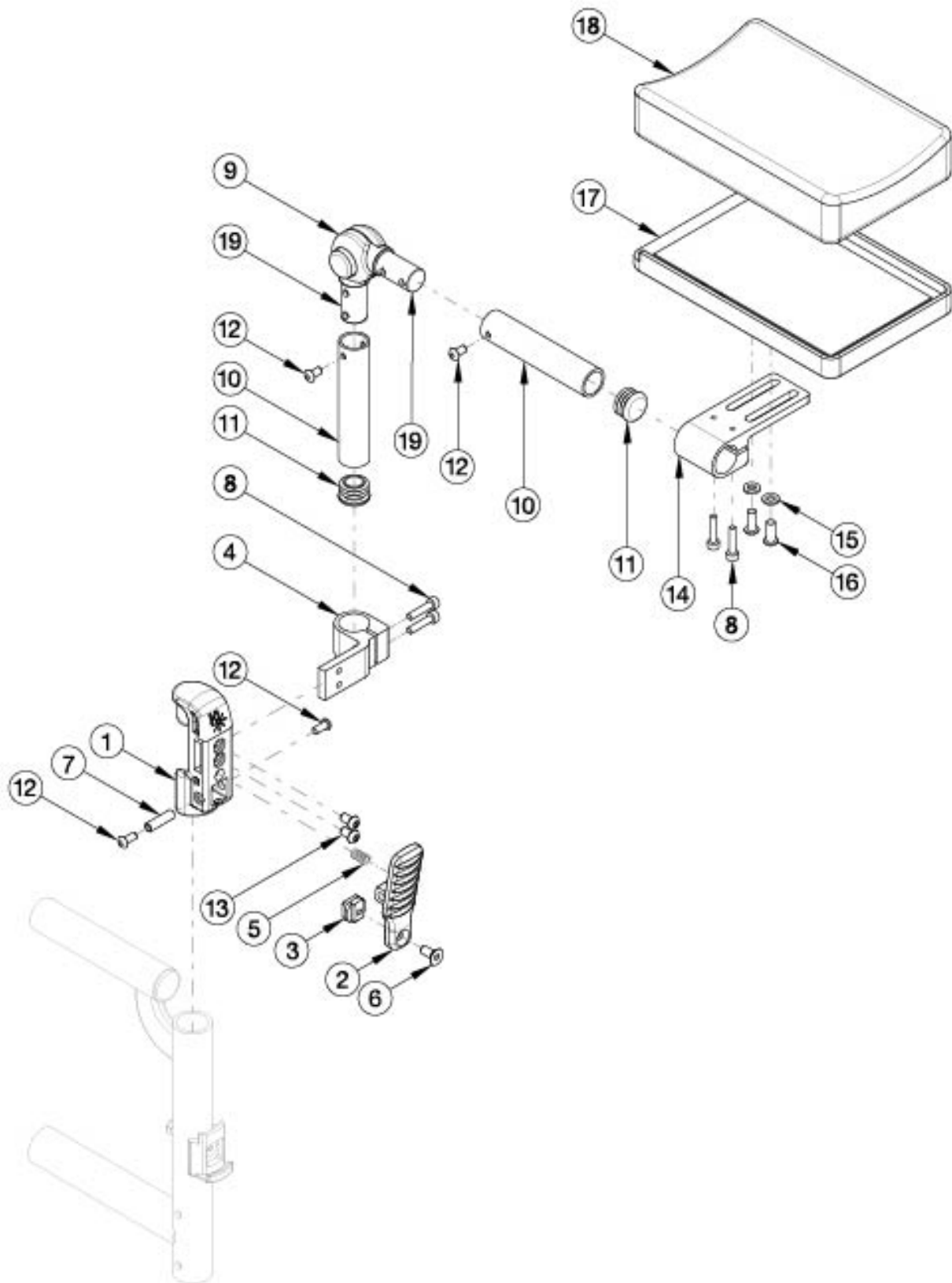


Residual Limb Support



Item Number	Part Number	Description	Quantity
1-14, 17a, 18a, 19	502342	Residual Limb Support Assembly, Mesh 5 x 8, Right	1
1-14, 17a, 18a, 19	502343	Residual Limb Support Assembly, Mesh 5 x 8, Left	1
1-14, 17b, 18b, 19	502344	Residual Limb Support Assembly, Mesh 7 x 10, Right	1
1-14, 17b, 18b, 19	502345	Residual Limb Support Assembly, Mesh 7 x 10, Left	1
1-14, 17c, 18c, 19	502346	Residual Limb Support Assembly, Mesh 9 x 10, Right	1
1-14, 17c, 18c, 19	502347	Residual Limb Support Assembly, Mesh 9 x 10, Left	1
1-14, 17d, 18d, 19	502348	Residual Limb Support Assembly, Mesh 9 x 14, Right	1
1-14, 17d, 18d, 19	502349	Residual Limb Support Assembly, Mesh 9 x 14, Left	1
1-14, 17e, 18e, 19	502350	Residual Limb Support Assembly, Mesh 11 x 10, Right	1
1-14, 17e, 18e, 19	502351	Residual Limb Support Assembly, Mesh 11 x 10, Left	1
1-16, 17f, 18f, 19	502352	Residual Limb Support Assembly, Mesh 11 x 14, Right	1
1-16, 17f, 18f, 19	502353	Residual Limb Support Assembly, Mesh 11 x 14, Left	1
1-16, 17g, 18g, 19	502354	Residual Limb Support Assembly, Smooth 5 x 8, Right	1
1-16, 17g, 18g, 19	502355	Residual Limb Support Assembly, Smooth 5 x 8, Left	1
1-16, 17h, 18h, 19	502356	Residual Limb Support Assembly, Smooth 7 x 10, Right	1
1-16, 17h, 18h, 19	502357	Residual Limb Support Assembly, Smooth 7 x 10, Left	1
1-16, 17i, 18i, 19	502358	Residual Limb Support Assembly, Smooth 9 x 10, Right	1
1-16, 17i, 18i, 19	502359	Residual Limb Support Assembly, Smooth 9 x 10, Left	1
1-16, 17j, 18j, 19	502360	Residual Limb Support Assembly, Smooth 9 x 14, Right	1
1-14, 17k, 18k, 19	502361	Residual Limb Support Assembly, Smooth 9 x 14, Left	1
1-14, 17k, 18k, 19	502362	Residual Limb Support Assembly, Smooth 11 x 10, Right	1
1-14, 17l, 18l, 19	502363	Residual Limb Support Assembly, Smooth 11 x 10, Left	1
1-14, 17m, 18m, 19	502364	Residual Limb Support Assembly, Smooth 11 x 14, Right	1
1-14, 17m, 18m, 19	502365	Residual Limb Support Assembly, Smooth 11 x 14, Left	1
1-8, 12, 13	502326	Residual Limb Support Mount Assembly, Right	1
1-8, 12, 13	502327	Residual Limb Support Mount Assembly, Left	1
8, 14-16	502329	Residual Limb Support Clamp and Mounting Hardware Kit	1

Item Number	Part Number	Description	Quantity
9-12, 19	502328	Residual Limb Support Pad Mount Tube Assembly	1
17a, 18a	502330	Residual Limb Support Base and Pad with Mesh Cover 5 x 8	1
17b, 18b	502331	Residual Limb Support Base and Pad with Mesh Cover 7 x 10	1
17c, 18c	502332	Residual Limb Support Base and Pad with Mesh Cover 9 x 10	1
17d, 18d	502333	Residual Limb Support Base and Pad with Mesh Cover 9 x 14	1
17e, 18e	502334	Residual Limb Support Base and Pad with Mesh Cover 11 x 10	1
17f, 18f	502335	Residual Limb Support Base and Pad with Mesh Cover 11 x 14	1
17a, 18g	502336	Residual Limb Support Base and Pad with Smooth Cover 5 x 8	1
17b, 18h	502337	Residual Limb Support Base and Pad with Smooth Cover 7 x 10	1
17c, 18i	502338	Residual Limb Support Base and Pad with Smooth Cover 9 x 10	1
17d, 18j	502339	Residual Limb Support Base and Pad with Smooth Cover 9 x 14	1
17e, 18k	502340	Residual Limb Support Base and Pad with Smooth Cover 11 x 10	1
17f, 18l	502341	Residual Limb Support Base and Pad with Smooth Cover 11 x 14	1
1	002415	Residual Limb Support Hanger	1
2	002416	Residual Limb Support Hanger Lever	1
3	002417	Residual Limb Support Hanger Lever Insert	1
4	002418	Residual Limb Support Bolt On Clamp	1
5	100693	Compression Spring 0.34" OD x 0.70 LG	1
6	101594	M6 x 14 CLS10.9 DIN7991 FSHCS BLKZC w/Patch	1
7	000073	M5 x 24 Threaded Barrel	1
8	101843	M5 x 20 SHCS Blk Zn	2
12	100669	M5 x 10 BTN SHCS BLKZC w/Patch	1
13	101184	M6 x 10 BTN SHCS BLKZC w/Patch	2
14	002656	Pad Mount Clamp	2
15	100746	M6 Flat Washer Blk Zn	2
16	102634	M6 X 1.0 X 16 BHCS BLK ZC	2
17a	002697	Ki Limb Support Base, 5 x 8	1

Item Number	Part Number	Description	Quantity
17b	002698	Ki Limb Support Base, 7 x 10	1
17c	002699	Ki Limb Support Base, 9 x 10	1
17d	002700	Ki Limb Support Base, 9 x 14	1
17e	002701	Ki Limb Support Base, 11 x 10	1
17f	002702	Ki Limb Support Base, 11 x 14	1
18a	002600	Ki Limb Support Pad with Mesh Cover, 5 x 8	1
18b	002601	Ki Limb Support Pad with Mesh Cover, 7 x 10	1
18c	002602	Ki Limb Support Pad with Mesh Cover, 9 x 10	1
18d	002603	Ki Limb Support Pad with Mesh Cover, 9 x 14	1
18e	002604	Ki Limb Support Pad with Mesh Cover, 11 x 10	1
18f	002605	Ki Limb Support Pad with Mesh Cover, 11 x 14	1
18g	002606	Ki Limb Support Pad with Smooth Cover, 5 x 8	1
18h	002607	Ki Limb Support Pad with Smooth Cover, 7 x 10	1
18i	002608	Ki Limb Support Pad with Smooth Cover, 9 x 10	1
18j	002609	Ki Limb Support Pad with Smooth Cover, 9 x 14	1
18k	002610	Ki Limb Support Pad with Smooth Cover, 11 x 10	1
18l	002611	Ki Limb Support Pad with Smooth Cover, 11 x 14	1