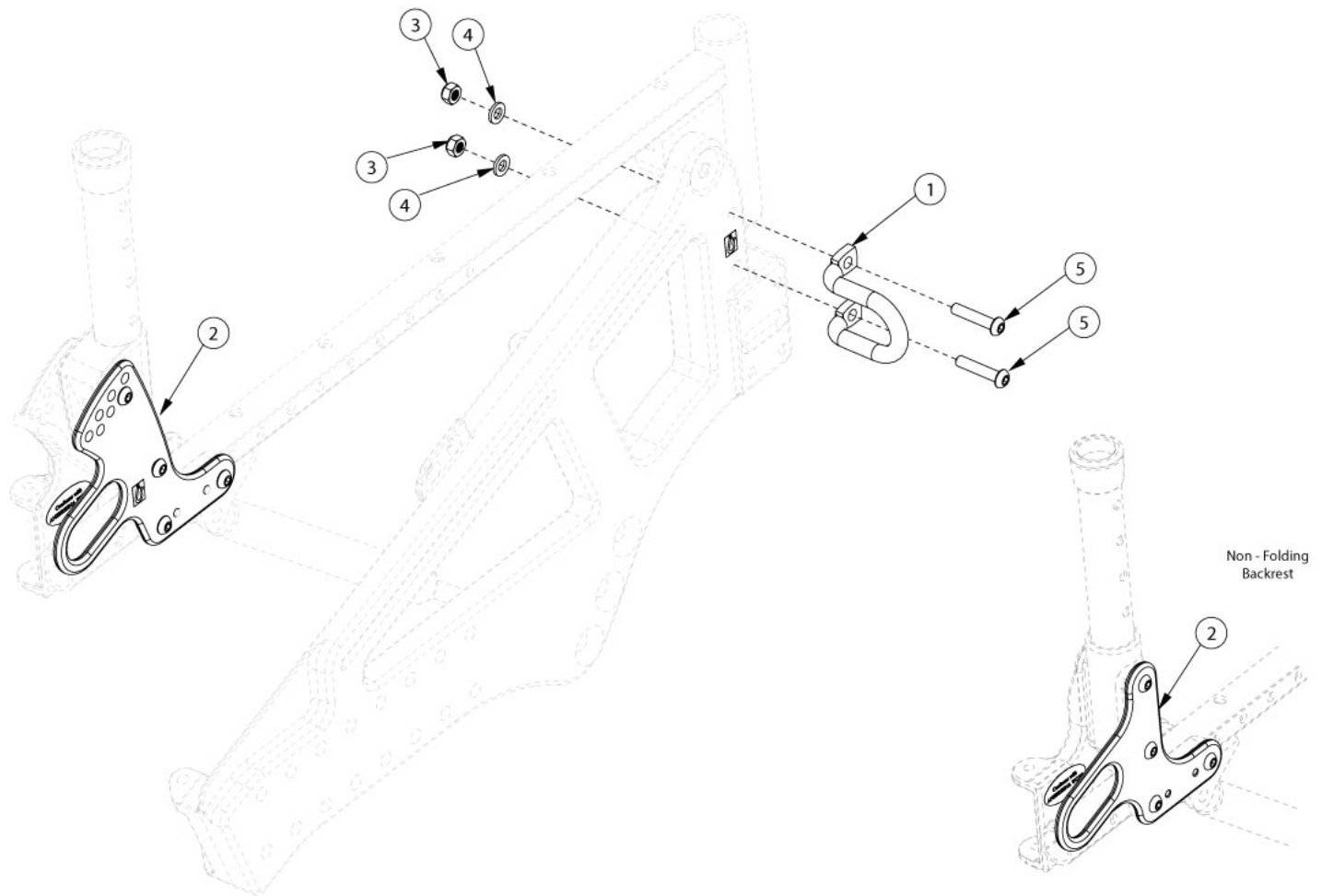


# Liberty Transit



Notice: Chair configuration review required prior to parts being quoted or ordered. Transit not available with IV Pole.

Item Number	Part Number	Description	Quantity
1-5	506174	Transit Retrofit Kit, Folding, Liberty <i>This kit is a complete retrofit, containing a pair of front transit brackets with attaching hardware and transit backplates.</i>	1
1-5	506565	Transit Retrofit Kit, Non-Folding, Liberty <i>This kit is a complete retrofit, containing a pair of front transit brackets with attaching hardware and transit backplates.</i>	1
2a	506322	Transit Back Plate Folding, Liberty	1
2b	506564	Transit Back Plate Non-Folding, Liberty	1
3	100658	M6 Nylock Nut Blk Zn	2
4	100746	M6 Flat Washer Blk Zn	2

Item Number	Part Number	Description	Quantity
5	102625	M6 X 30 BHCS BLK ZC	2