



## O2 HOLDER INSTALLATION KIT - SEDEO ERGO



Please read these instructions carefully before beginning the installation. Failure to understand and follow installation instructions may result in injury to installer and/or end user and may void the warranty. If you have any questions call Sunrise Medical Technical support at 800-333-4000.

### O2 mounting parts:

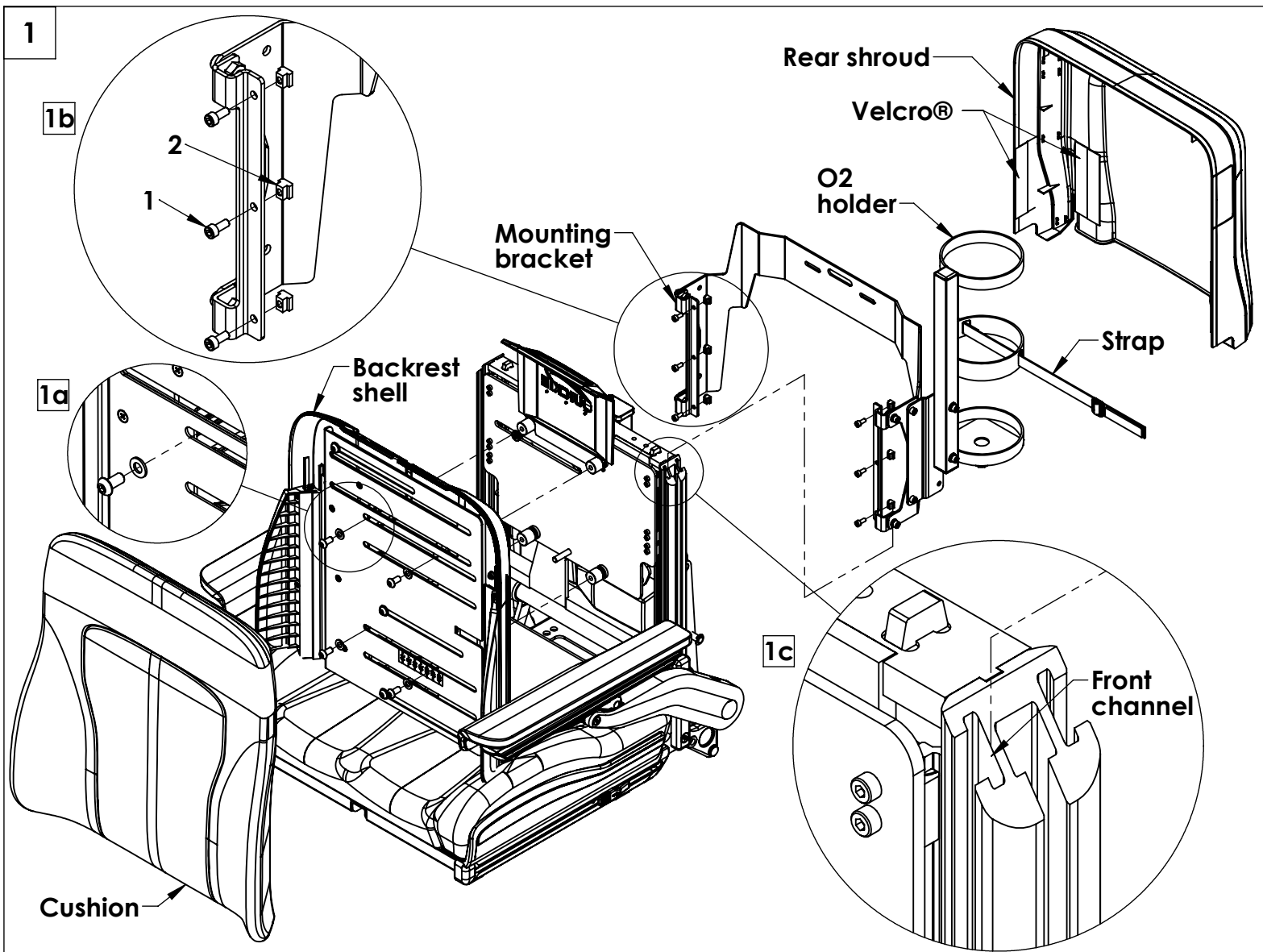
1. 6 ea Socket head screws
2. 6 ea T-nuts

### Tools needed:

1. 4mm hex key
2. 5mm hex key

### A. INSTALL THE MOUNTING BRACKET **1**

1. Remove the rear shroud and front cushion from the backrest. They are attached with Velcro®.
2. Using the 5mm hex key, remove the 4 screws and washers from the backrest shell, detail 1a. Do not discard.
3. Insert screws (1) through holes in the mounting bracket as shown in detail 1b. Repeat for opposite side.
4. Attach the T-nuts (2) onto all of the screws, 1b. Leave loose.
5. Slide the T-nut down into the front channels on the backrest side rails, detail 1c, until it is approximately 2 inches above the seat. Slide both left and right sides simultaneously.
6. Tighten hardware using 4mm hex key.
7. Reattach the backrest shell using the saved screws and washers. Reattach the rear shroud and front cushion.
8. Insert O2 cylinder (not included) into the O2 holder and secure with strap.



Sunrise Medical 2842 Business Park Ave Fresno, CA 93727 USA  
In Canada (800) 263-3390



Customer service: 800.333.4000  
or visit [www.SunriseMedical.com](http://www.SunriseMedical.com)

©Sunrise Medical (US) LLC 09.16  
DCN-0003355 244299 Rev. A