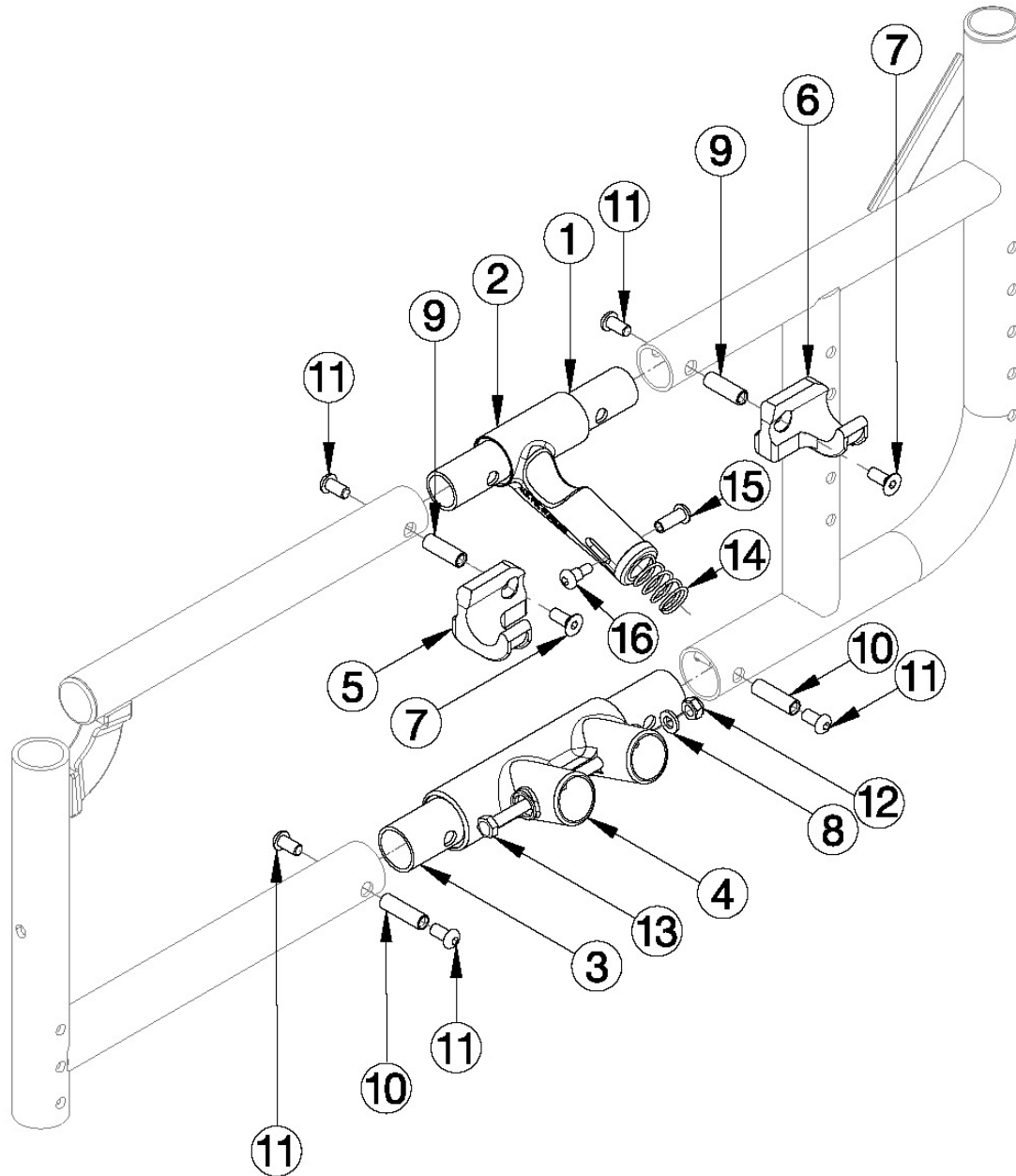


Catalyst 5 Side Frame Assembly - Open Seating (Seating System)



Upper Pivot Assemblies are based on seat width

| Item Number | Part Number | Description | Quantity |
|-------------|-------------|--|----------|
| 2b, 14 - 16 | 500024 | Upper Pivot Assembly 14" Width <i>This kit also contains the 14" slider link (not pictured)</i> | 1 |
| 2a, 14 - 16 | 500025 | Upper Pivot Assembly 15" Width <i>This kit also contains the 15" slider link (not pictured)</i> | 1 |
| 2a, 14 - 16 | 500026 | Upper Pivot Assembly 16" Width <i>This kit also contains the 16" slider link (not pictured)</i> | 1 |
| 2a, 14 - 16 | 500027 | Upper Pivot Assembly 17" Width <i>This kit also contains the 17" slider link (not pictured)</i> | 1 |
| 2a, 14 - 16 | 500028 | Upper Pivot Assembly 18" Width <i>This kit also contains the 18" slider link (not pictured)</i> | 1 |
| 2a, 14 - 16 | 500029 | Upper Pivot Assembly 19" Width <i>This kit also contains the 19" slider link (not pictured)</i> | 1 |
| 2a, 14 - 16 | 500030 | Upper Pivot Assembly 20" Width <i>This kit also contains the 20" slider link (not pictured)</i> | 1 |
| 2a, 14 - 16 | 501479 | Upper Pivot Assembly 21/22" Width <i>This kit also contains the 21/22" slider link (not pictured)</i> | 1 |
| 1 | 000011 | Frame Connector Upper CAT | 1 |
| 3 | 000009 | Frame Connector Lower CAT | 1 |
| 4a | 000001 | Lower Frame Pivot CAT <i>Used with round style cross braces effective prior to 6/15/16</i> | 1 |
| 4b | 002806 | Lower Frame Pivot CAT <i>Used with oval style cross braces effective 6/15/16</i> | 1 |
| 5 | 000960R | Seat Hook Open Frame Right Front Frame / Left Rear Frame, Catalyst | 1 |
| 6 | 000960L | Seat Hook Open Frame Left Front Frame / Right Rear Frame, Catalyst | 1 |
| 7 | 101594 | M6 x 14 CLS10.9 DIN7991 FSHCS BLKZC w/Patch | 2 |
| 8 | 100746 | M6 Flat Washer Blk Zn | 2 |
| 9 | 000065 | M6 x 23.68 Threaded Barrel | 2 |
| 10 | 000066 | M6 x 27 Threaded Barrel | 2 |
| 11 | 100667 | M6 x 12 BTN SHCS BLKZC w/Patch | 6 |
| 12 | 100658 | M6 Nylock Nut Blk Zn | 2 |
| 13 | 100704 | M6 x 90 CLS8.8 DIN931 HHCS ZC | 1 |