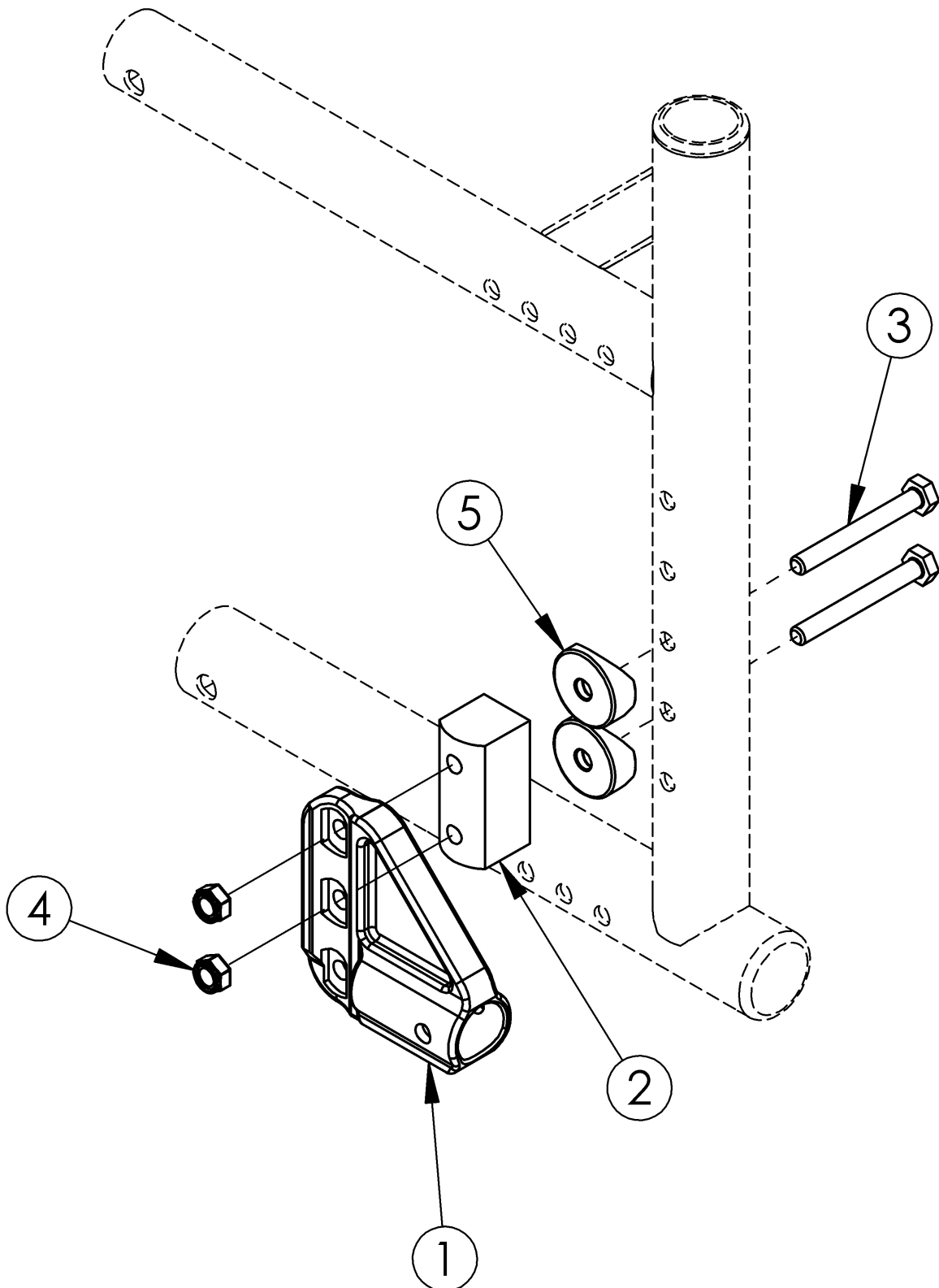


# Catalyst 4 Anti-Tip Receiver



| <b>Item Number</b> | <b>Part Number</b> | <b>Description</b>   | <b>Quantity</b> |
|--------------------|--------------------|--|-----------------|
| 1b                 | 004539             | Anti Tip Receiver, Catalyst<br><i>Used if chair has an invoice date after November 13, 2018.<br/>Replaced 000046</i> | 1               |
| 2                  | 002329             | Amputee Anti-Tip Spacer CAT<br><i>Used when Anti-Tips are present with Reverse Mount<br/>Offset Axle Bracket</i>     | 1               |
| 3a                 | 101826             | M6 x 50 HHCS Blk Zn<br><i>Used when Amputee Anti-Tip Spacer is not present</i>                                       | 2               |
| 3b                 | 100544             | M6 x 75 CLS 8.8 DIN931 HHCS ZC<br><i>Used with Amputee Anti-Tip Spacer</i>   | 2               |
| 4                  | 100658             | M6 Nylock Nut Blk Zn   | 2               |
| 5                  | 000056             | Saddle 1 1/8"<br><i>Only used with Amputee Anti-Tip Spacer</i>   | 3               |