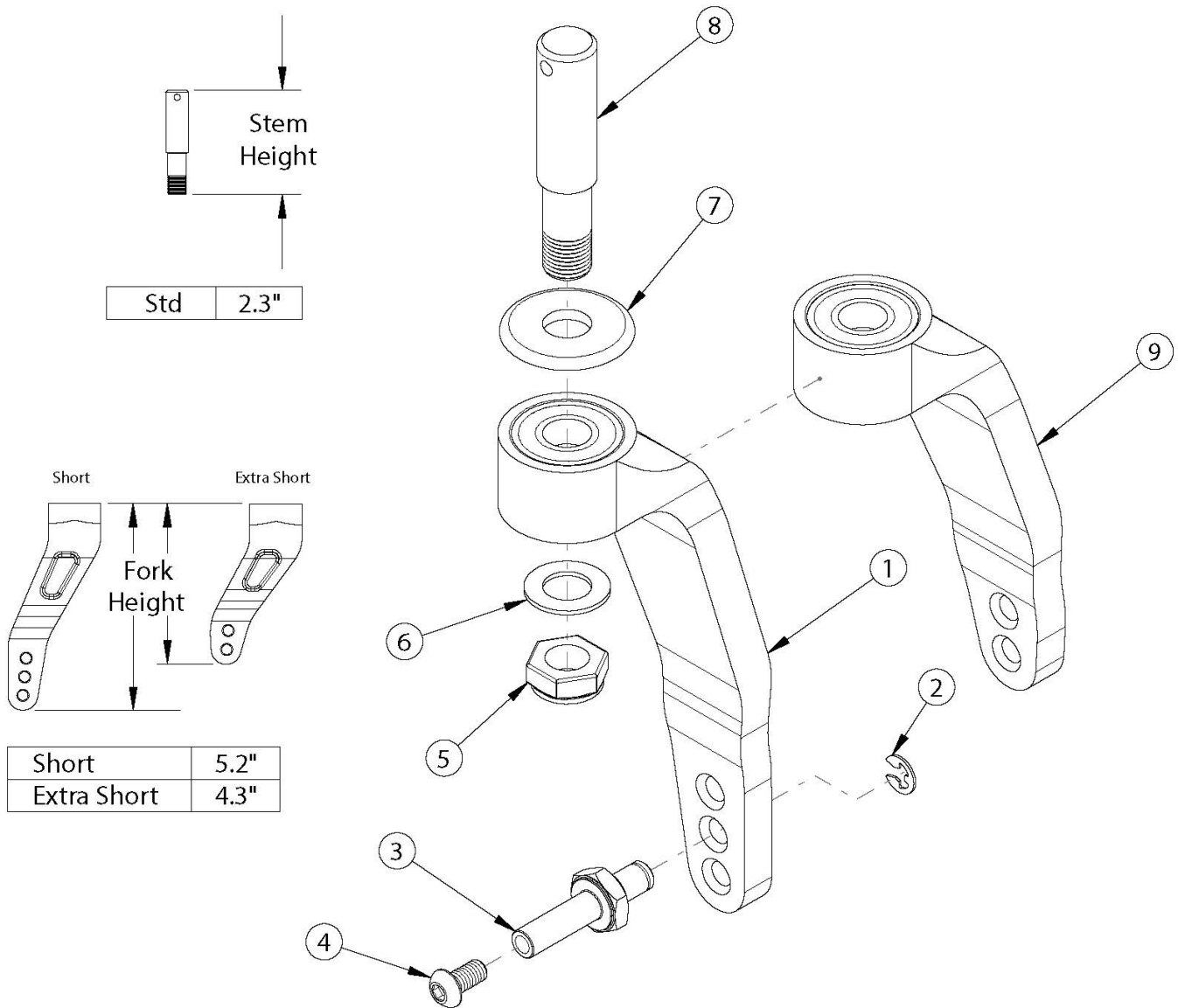


Ethos Single Sided Fork and Stem



*If retro-fitting to this fork, new caster sleeves may be required New front base frame is required if retro-fitting from a Frog Leg Fork
Use extra short forks with 3"-5" casters. Use short forks with 6" casters.*

Item Number	Part Number	Description	Quantity
1a, 2-4, 7a	501800	Caster Fork Single Sided Short Right Black Anodized	1
1a, 2-4, 7b	501800_ _ _	Caster Fork Single Sided Short Right Color Anodized	1
1b, 2-4, 7a	501801	Caster Fork Single Sided Short Left Black Anodized	1
1b, 2-4, 7b	501801_ _ _	Caster Fork Single Sided Short Left Color Anodized	1

Item Number	Part Number	Description	Quantity
9a, 2-4, 7a	111878	Caster Fork Single Sided Extra Short Right Black Anodized, ETHOS <i>Cannot be used with 6" casters</i>	1
9b, 2-4, 7a	111879	Caster Fork Single Sided Extra Short Left Black Anodized, ETHOS <i>Cannot be used with 6" casters</i>	1
2	102364	Side-Mount External Retaining Ring (E-Style) Black-Finish Steel	1
3	001354	Axle Shaft for Single Sided Fork	1
4	100667	M6 x 12 BTN SHCS BLKZC w/Patch	1
2-4	501799	Single Sided Axle Assembly	1
5	101840	M10 Nylock Nut Blk Zn	1
6	101859	M10 Flat Washer Blk Zn	1
5, 6, 8	112905	Single Sided Standard Stem Assembly <i>Replaced assembly part number 501797</i>	1
7a	001355	Caster Bearing Cap Black Anodized	1
7b	001355_ _ _	Color Anodized Caster Bearing Cap	1

Ethos Reference: Caster and Fork Changes

When making changes to fork style, fork size and/or caster size use the chart below to determine if and what additional parts are required. The reference chart identifies the caster sleeve used to square the casters post configuration change and the necessary fork hole position required to maintain front seat height.

NOTE: Ethos ships in its original configuration from Ki Mobility with a zero degree caster sleeve. The rear base frame of Ethos should always be parallel to the ground.

ANGLE OF CASTER SLEEVE REQUIRED

NEW OPTION

OLD OPTION	FORK	NEW OPTION																		
		STD	STD	STD	STD	SINGLE SIDED	SINGLE SIDED	SINGLE SIDED	SINGLE SIDED	FROG LEG	FROG LEG	FROG LEG	FROG LEG	FROG PHASE 2	FROG PHASE 2	FROG PHASE 2	FROG PHASE 2	SINGLE SIDED XSHORT	SINGLE SIDED XSHORT	SINGLE SIDED XSHORT
	CASTER DIAMETER	3	4	5	6	3	4	5	6	3	4	5	6	3	4	5	6	3	4	5
STD	3	0 7B	0 7C	2 7C	N/A	2 7B	2 7C	3 7C	N/A	3 7B	3 7C	N/A	N/A	3 7C	3 7T	N/A	N/A	1 7B	1 7B	3 7B
STD	4	0 7B	0 7C	2 7C	N/A	2 7B	2 7C	3 7C	N/A	3 7B	3 7C	N/A	N/A	3 7C	3 7T	N/A	N/A	1 7B	1 7B	3 7B
STD	5	2 7B	2 7C	0 7C	3 7B	0 7B	0 7C	2 7C	N/A	2 7B	2 7C	3 7C	N/A	3 7B	3 7C	N/A	N/A	3 7B	1 7B	1 7B
STD	6	N/A	3 7B	3 7C	0 7B	3 7B	3 7C	2 7C	2 7B	2 7B	2 7C	0 7C	3 7B	0 7B	0 7C	2 7C	N/A	N/A	N/A	3 7B
SINGLE SIDED	3	2 7B	2 7C	0 7C	3 7B	0 7B	0 7C	2 7C	N/A	2 7B	2 7C	3 7C	N/A	3 7B	3 7C	N/A	N/A	3 7B	1 7B	1 7B
SINGLE SIDED	4	2 7B	2 7C	0 7C	3 7B	0 7B	0 7C	2 7C	N/A	2 7B	2 7C	3 7C	N/A	3 7B	3 7C	N/A	N/A	3 7B	1 7B	1 7B
SINGLE SIDED	5	3 7B	3 7C	2 7C	2 7B	2 7B	2 7C	0 7C	3 7B	0 7B	0 7C	2 7C	N/A	2 7B	2 7C	3 7C	N/A	N/A	3 7B	1 7B
SINGLE SIDED	6	N/A	N/A	3 7B	2 7B	N/A	3 7B	3 7C	0 7B	3 7B	3 7C	2 7C	2 7B	2 7B	2 7C	0 7C	3 7B	N/A	N/A	N/A
FROG LEG	3	3 7B	3 7C	2 7C	2 7B	2 7B	2 7C	0 7C	3 7B	0 7B	0 7C	2 7C	N/A	2 7B	2 7C	3 7C	N/A	N/A	3 7B	1 7B
FROG LEG	4	3 7B	3 7C	2 7C	2 7B	2 7B	2 7C	0 7C	3 7B	0 7B	0 7C	2 7C	N/A	2 7B	2 7C	3 7C	N/A	N/A	3 7B	1 7B
FROG LEG	5	N/A	3 7B	3 7C	0 7B	3 7B	3 7C	2 7C	2 7B	2 7B	2 7C	0 7C	3 7B	0 7B	0 7C	2 7C	N/A	N/A	N/A	3 7B
FROG LEG	6	N/A	N/A	N/A	3 7B	N/A	N/A	3 7B	2 7B	N/A	3 7B	3 7C	0 7B	3 7B	3 7C	2 7C	2 7B	N/A	N/A	N/A
FROG PHASE 2	3	N/A	3 7B	3 7C	0 7B	3 7B	3 7C	2 7C	2 7B	2 7B	2 7C	0 7C	3 7B	0 7B	0 7C	2 7C	N/A	N/A	N/A	3 7B
FROG PHASE 2	4	N/A	3 7B	3 7C	0 7B	3 7B	3 7C	2 7C	2 7B	2 7B	2 7C	0 7C	3 7B	0 7B	0 7C	2 7C	N/A	N/A	N/A	3 7B
FROG PHASE 2	5	N/A	N/A	3 7B	2 7B	N/A	3 7B	3 7C	0 7B	3 7B	3 7C	2 7C	2 7B	2 7B	2 7C	0 7C	3 7B	N/A	N/A	N/A
FROG PHASE 2	6	N/A	N/A	N/A	N/A	N/A	N/A	N/A	3 7B	N/A	N/A	3 7B	2 7B	N/A	3 7B	3 7C	0 7B	N/A	N/A	N/A
SINGLE SIDED XSHORT	3	1 7B	1 7C	3 7C	N/A	3 7B	3 7B	N/A	N/A	3 7C	3 7T	N/A	N/A	N/A	N/A	N/A	N/A	0 7B	2 7B	3 7B
SINGLE SIDED XSHORT	4	1 7B	1 7C	1 7C	N/A	1 7B	1 7B	3 7B	N/A	3 7B	N/A	N/A	N/A	3 7C	3 7T	N/A	N/A	2 7B	0 7B	2 7B
SINGLE SIDED XSHORT	5	3 7B	3 7C	1 7C	3 7B	1 7B	1 7B	1 7B	N/A	1 7B	1 7C	3 7C	N/A	3 7B	3 7C	N/A	N/A	3 7B	2 7B	0 7B

Key	
N/A	Change cannot be accommodated using just a caster sleeve. Please contact customer service to process this order.
B	Bottom fork hole.
C	Center fork hole.
T	Top fork hole.

Color Anodizing Samples

