



## ALLCOURT / MATCH POINT TOE CLIP



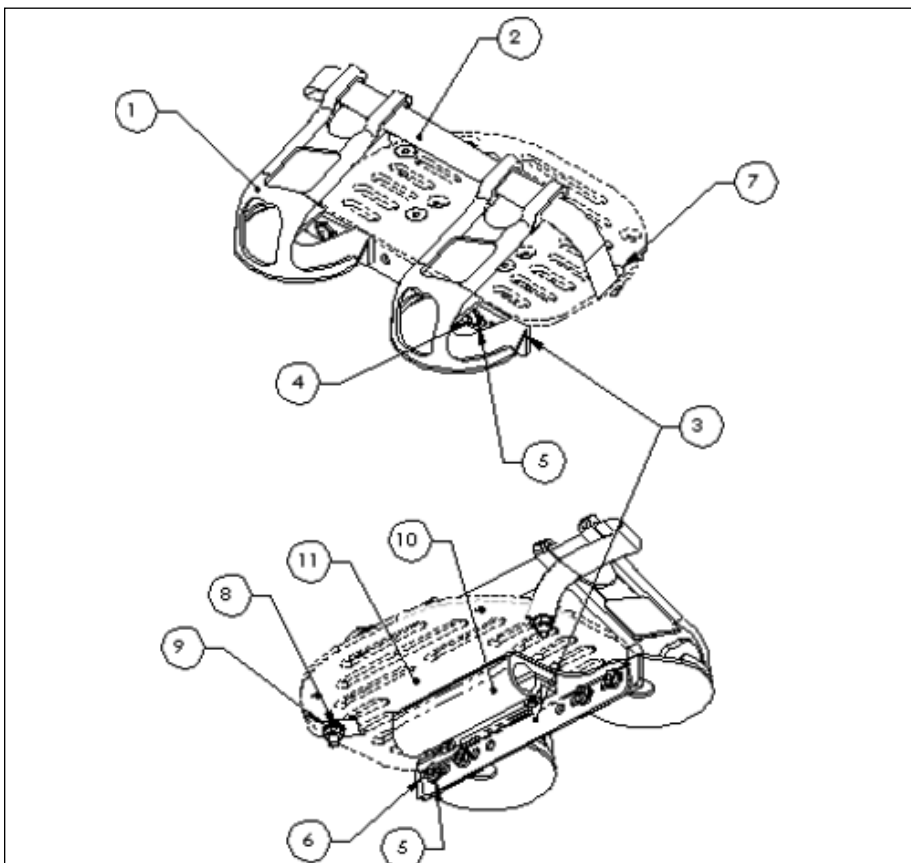
Please read these instructions carefully before beginning the assembly. Failure to understand and follow assembly instructions may result in injury to technician and/or end user and may void the warranty. If you have any questions call Sunrise Medical Technical Support at +1 (800) 333-4000.

ITEM NO.	QTY	Description
1	1 PAIR	PLASTIC TOE CLIPS
2	1	TOE CLIP STRAP
3	1	TOE CLIP BRACKET
4	4	10-32 X 1/2 BUTTONHEAD CAP SCREW
5	8	WASHER
6	4	10-32 NYLOCK NUT
7	2	1/4-28 X 5/8 FLATHEAD CAP SCREW
8	2	1/4-28 NYLOCK NUT THIN
9	2	WASHER THIN
10	1	FOOTREST CLAMP (NOT INCLUDED, FOR REFERENCE ONLY)
11	1	FOOTPLATE (NOT INCLUDED, FOR REFERENCE ONLY)

The following assembly instructions are for the Toe Clips for the RGK AllCourt and Match Point sportchairs.

To install toe clips:

1. Attach plastic toe clips (item 1) to the front of the toe clip bracket (item 3) in desired hole position using screws, washers (one on each side), and nuts (items 4, 5, and 6).
2. Unscrew footplate from footrest clamp, save screws and nuts.
3. Attach toe clip strap (item 2) to the bottom side of the footplate using screw, washer, and nut (items 7, 8, and 9).
4. Reattach the footplate (item 11) to the footrest clamp (item 10) with toe clip bracket (item 3) in between using the screws and nuts saved from step 2.
5. Loop the toe clip strap through the toe clips.



### ⚠️ DEALER/TECHNICIAN WARNING

Attention dealers and qualified technicians, do not operate or service this device without first reading the owner's manual. If you do not understand the instructions and warnings in the owner's manual please contact the Sunrise Technical Service Department before operating and/or servicing the RGK wheelchair. Failure to do so may result in damage and/or injury.

Find more information and important warnings in the wheelchair owner's manual or at: [www.SunriseMedical.com](http://www.SunriseMedical.com)



Customer Service: +1 (800) 333-4000  
In Canada (800) 263-3390  
or visit [www.SunriseMedical.com](http://www.SunriseMedical.com)

© 2023 Sunrise Medical (US) LLC  
07/2023 P/N 950156 Rev. C  
Pg 1 of 1