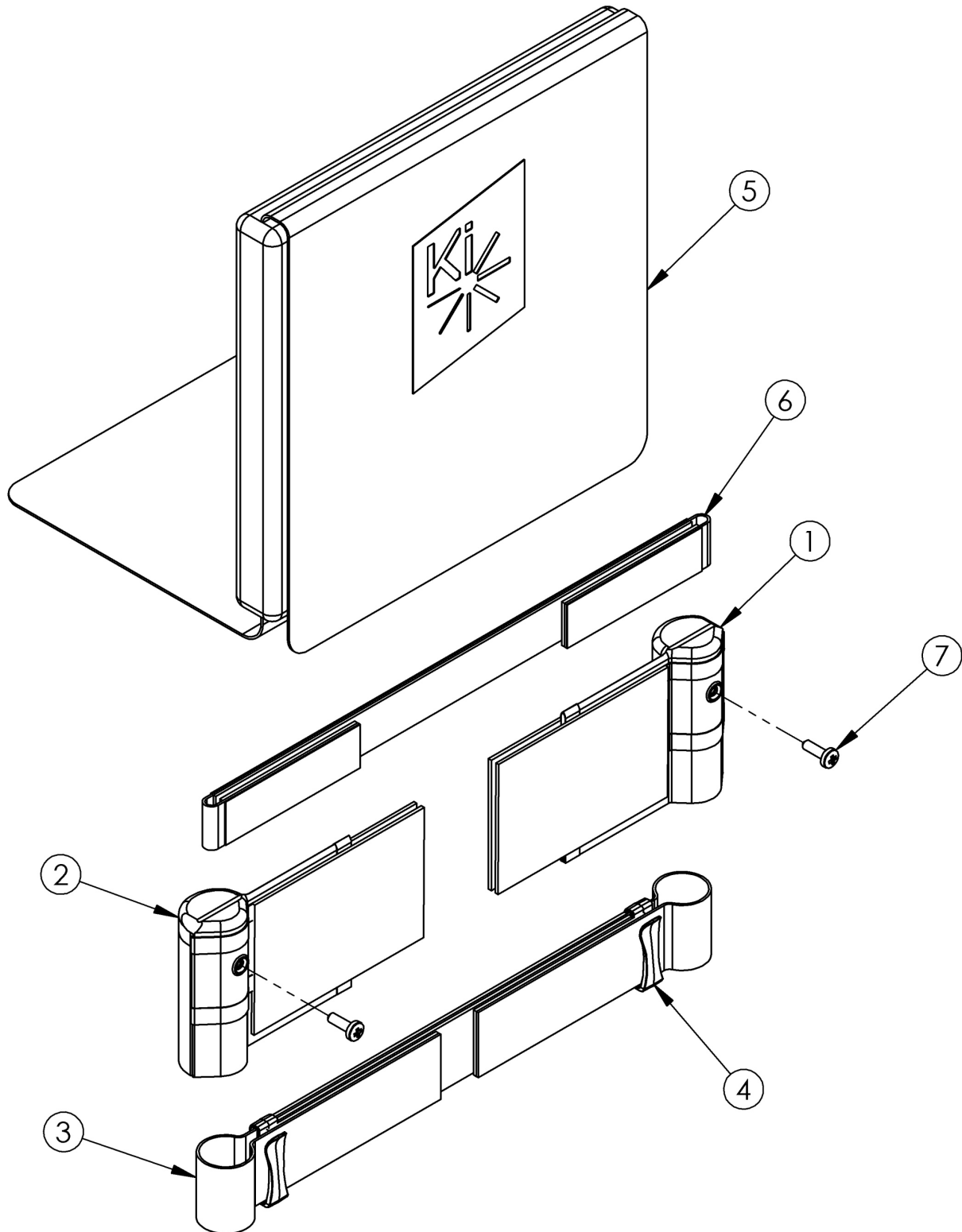


Discontinued Rogue XP Padded Velcro Adjustable Back Upholstery 10" - 16" Wide



Tension Straps (6a-6d) are used with the combination of Fold Down Push Handle and Padded Velcro Adjustable Back Upholstery.

<p>

Straps are based on chair width.

Item Number	Part Number	Description	Quantity	Retail
3b	002533	Back Upholstery Strap 19.3" <i>Used on 10" chair widths with Height Adjustable 1" Inward Offset backposts</i>	2	\$12.61
3c	002534	Back Upholstery Strap 21.3" <i>Used on 10" chair widths or 11" chair widths with Height Adjustable 1" Inward Offset backposts</i>	2	\$12.61
3d	002535	Back Upholstery Strap 23.3" <i>Used on 11" chair widths or 12" chair widths with Height Adjustable 1" Inward Offset backposts</i>	2	\$12.61
3e	002536	Back Upholstery Strap 25.3" <i>Used on 12" chair widths or 13" chair widths with Height Adjustable 1" Inward Offset backposts</i>	2	\$15.76
3f	002537	Back Upholstery Strap 27.3" <i>Used on 13" chair widths or 14" chair widths with Height Adjustable 1" Inward Offset backposts</i>	2	\$15.76
3g	002538	Back Upholstery Strap 29.3" <i>Used on 14" chair widths or 15" chair widths with Height Adjustable 1" Inward Offset backposts</i>	2	\$15.76
3h	002539	Back Upholstery Strap 31.3" <i>Used on 15" chair widths or 16" chair widths with Height Adjustable 1" Inward Offset backposts</i>	2	\$15.76
3i	002540	Back Upholstery Strap 33.3" <i>Used on 16" chair widths or 17" chair widths with Height Adjustable 1" Inward Offset backposts</i>	2	\$15.76
4	102736	Quick-Slip Keeper	4	\$2.68
5a	002482	Backrest Cover 9" Rigid x 9-12"	1	\$126.07
5b	002483	Backrest Cover 9" Rigid x 11-14"	1	\$126.07
5c	002484	Backrest Cover 9" Rigid x 13-16"	1	\$126.07
5d	002485	Backrest Cover 10" Rigid x 9-12"	1	\$202.57
5e	002486	Backrest Cover 10" Rigid x 11-14"	1	\$202.57
5f	002487	Backrest Cover 10" Rigid x 13-16"	1	\$202.57
5g	002488	Backrest Cover 10" Rigid x 15-18"	1	\$202.57
5h	002489	Backrest Cover 11" Rigid x 9-12"	1	\$213.08
5i	002490	Backrest Cover 11" Rigid x 11-14"	1	\$213.08

Item Number	Part Number	Description	Quantity	Retail
5j	002491	Backrest Cover 11" Rigid x 13-16"	1	\$213.08
5k	002492	Backrest Cover 11" Rigid x 15-18"	1	\$213.08
5l	002493	Backrest Cover 12" Rigid x 9-12"	1	\$213.08
5m	002494	Backrest Cover 12" Rigid x 11-14"	1	\$213.08
5n	002495	Backrest Cover 12" Rigid x 13-16"	1	\$213.08
5o	002496	Backrest Cover 12" Rigid x 15-18"	1	\$213.08
5p	002497	Backrest Cover 13" Rigid / 14" Cat x 9-12"	1	\$213.08
5q	002498	Backrest Cover 13" Rigid / 14" Cat x 11-14"	1	\$213.08
5r	002499	Backrest Cover 13" Rigid / 14" Cat x 13-16"	1	\$213.08
5s	002500	Backrest Cover 13" Rigid - 14" CAT/LFT x 15-18"	1	\$213.08
5t	002501	Backrest Cover 14" Rigid / 15" Cat x 9-12"	1	\$223.58
5u	002502	Backrest Cover 14" Rigid / 15" Cat x 11-14"	1	\$223.58
5v	002503	Backrest Cover 14" Rigid / 15" Cat x 13-16"	1	\$223.58
5w	002504	Backrest Cover 14" Rigid - 15" CAT/LFT x 15-18"	1	\$223.58
5x	002505	Backrest Cover 15" Rigid / 16" Cat x 9-12"	1	\$223.58
5y	002506	Backrest Cover 15" Rigid / 16" Cat x 11-14"	1	\$223.58
5z	002507	Backrest Cover 15" Rigid / 16" Cat x 13-16"	1	\$223.58
5aa	002508	Backrest Cover 15" Rigid - 16" CAT/LFT x 15-18"	1	\$223.58
5ab	002509	Backrest Cover 16" Rigid / 17" Cat x 9-12"	1	\$223.58
5ac	002510	Backrest Cover 16" Rigid / 17" Cat x 11-14"	1	\$223.58
5ad	002511	Backrest Cover 16" Rigid / 17" Cat x 13-16"	1	\$223.58
5ae	002512	Backrest Cover 16" Rigid - 17" CAT/LFT x 15-18"	1	\$223.58
6a	001748	Tension Strap Folding Handle 9-11 Wide	1	\$18.32
6b	001749	Tension Strap Folding Handle 12-13 Wide	1	\$19.52
6c	001750	Tension Strap Folding Handle 14-15 Wide	1	\$20.81
6d	001751	Tension Strap Folding Handle 16-17 Wide	1	\$21.98
7	100734	M5 x 16 PHMS ZC	2	\$1.58