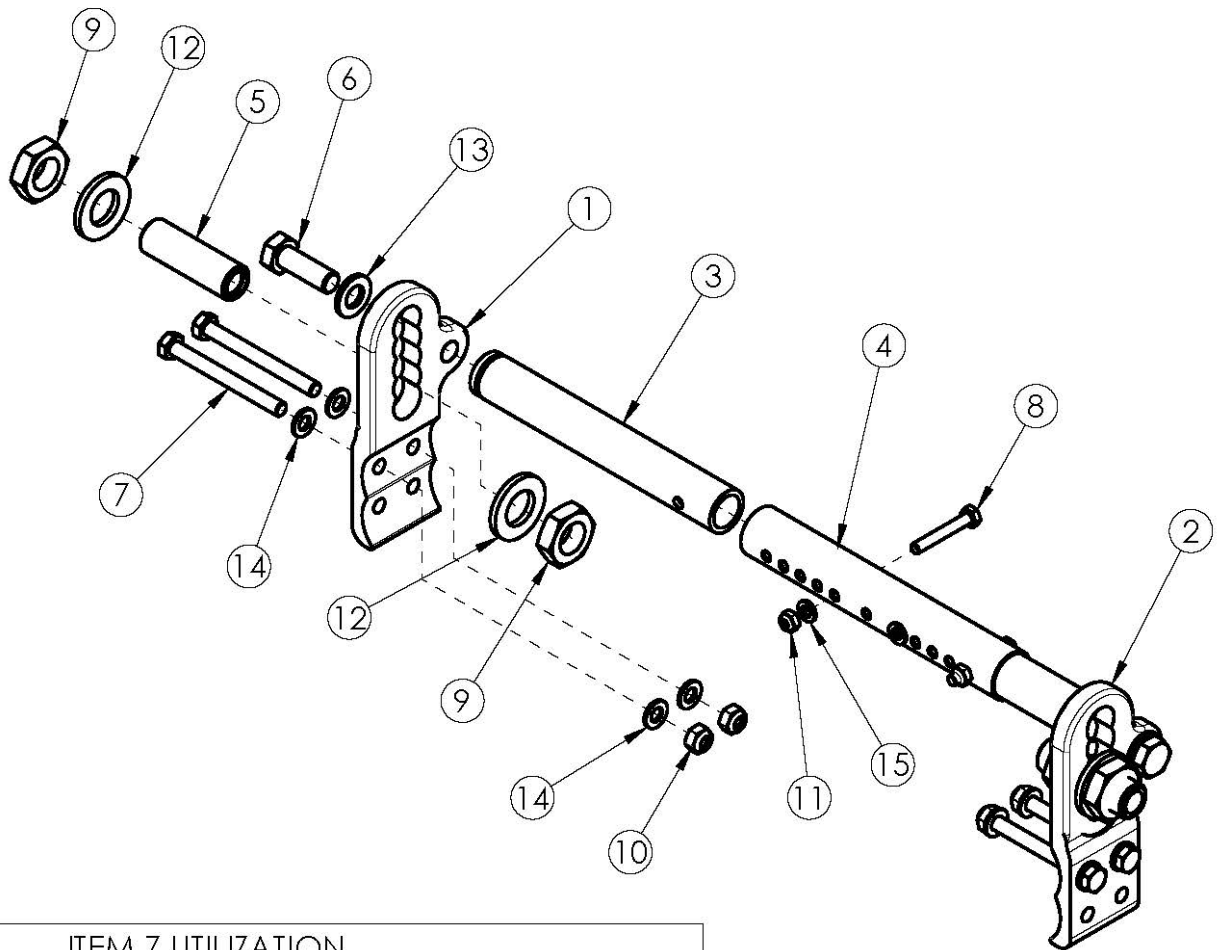


Focus CR Axle Plate



ITEM 7 UTILIZATION					
CONFIGURATION	QTY 101830	QTY 101831	QTY 101832	QTY 103512	QTY 103513
VENT TRAY	4	-	-	-	-
CABLE TILT	-	4	-	-	-
FOOT TILT	-	2	-	2	-
CABLE TILT W/FOOT LOCK	-	-	4	-	-
FOOT TILT W/FOOT LOCK	-	-	2	-	2

If changing from the inverted axle plate, new wheel locks may be required. If retrofitting to the Self Propel Axle Plate, new base frames are required. See Focus CR Base Frame or Focus CR Heavy Duty Base Frame page. Effective 3/23/2023, Axle Receiver 114479 has replaced 001419. For axle plates used with the Drum Brake, see Focus CR Drum Brake page.

Item Number	Part Number	Description	Quantity
1a, 2a, 3, 5, 6, 7e, 9, 10, 12 - 14	117334	Axle Plate Assembly, Focus (PAIR) <i>Replacement for kit# 501445</i>	1
1b, 2b, 3, 5, 6, 7e, 9, 10, 12 - 14	117333	Self Propel Axle Plate Assembly, Focus	1

Item Number	Part Number	Description	Quantity
		<i>If retrofitting to the Self Propel Axle Plate, new base frames are required</i>	
1a	003767	Axle Plate Right - Tilt <i>Replacement for part# 001065 which was used on serial numbers prior to FCR0025346 and FCHD002317</i>	1
1b	003159	Axle Plate, Self Propel, Right Focus	1
2a	003768	Axle Plate Left - Tilt <i>Replacement for part# 001066 which was used on serial numbers prior to FCR0025346 and FCHD002317</i>	1
2b	003160	Axle Plate, Self Propel, Left Focus	1
3	001067	Axle Strut Tilt	2
4a	001011	Growth Strut, Base, Small Tilt	1
4b	001012	Growth Strut, Base, Medium Tilt	1
4c	001013	Growth Strut, Base, Large Tilt	1
4d	112005	Growth Strut, Base, X-Large Tilt	1
5	114479	Axle Sleeve Bushing 3", Focus <i>Replaced part number 001419</i>	1
6	101833	HHCS M12 X 1.75 X 35 ENVRBLK W/PRE5, DIN933	2
7a	101830	M8 x 70 HHCS Blk Zn	4
7b	101831	M8 x 80 HHCS Blk Zn	4
7c	101832	M8 x 90 HHCS Blk Zn	4
7d	103512	M8 x 1.25 x 110 HHCS CLS10.9 Blk Zn DIN931	2
7e	103513	M8 x 120 HHCS Blk Zn	2
8	101825	M6 x 40 HHCS Blk Zn	2
9	101836	Nut M20 x 1.5 Thin Blk Zn	4
10	100659	M8 Nylock Nut Blk Zn	4
11	100658	M6 Nylock Nut Blk Zn	2
12	101855	Washer 3/4 SAE G8 Blk Zn	4
13	101860	Washer Flat M12 Blk Zn	2
14	101858	Washer Flat M8 Blk Zn	8
15	100746	M6 Flat Washer Blk Zn	4

Inverted axle plates are not used with wheels 20" or larger.

Wheel	Tire	Caster	Standard Axle Plate Seat Heights	Inverted Axle Plate Seat Heights
12" Mag	Pneumatic	5"	13.5" - 14.5"	17.5" - 19.5"
12" Mag	Pneumatic	6"	14.5"	17.5" - 19.5"
12" Mag	Pneumatic	6x2"	14.5"	17.5" - 19.5"
12" Mag	Pneumatic	7"	n/a	17.5" - 19.5"
12" Mag	Pneumatic	8"	n/a	17" - 19.5"
12" Mag	Pneumatic	8"x1.5"	n/a	17.5" - 19.5"
12" Mag	Pneumatic	8x2"	n/a	17.5" - 19.5"
12" Mag	Full Poly	5"	n/a	16.5" - 19"
12" Mag	Full Poly	6"	n/a	16.5" - 19"
12" Mag	Full Poly	6x2"	n/a	16.5" - 19"
12" Mag	Full Poly	7"	n/a	16.5" - 19"
12" Mag	Full Poly	8"	n/a	16." - 18.5"
12" Mag	Full Poly	8"x1.5"	n/a	16.5" - 19"
12" Mag	Full Poly	8x2"	n/a	17" - 18.5"
12" Mag w/ Drum Brake	Pneumatic	5"	13" - 14.5"	17.5" - 20"
12" Mag w/ Drum Brake	Pneumatic	6"	14" - 14.5"	17.5" - 19.5"
12" Mag w/ Drum Brake	Pneumatic	6x2"	14" - 14.5"	17.5" - 20"
12" Mag w/ Drum Brake	Pneumatic	7"	n/a	17.5" - 20"
12" Mag w/ Drum Brake	Pneumatic	8"	n/a	17.5" - 20"
12" Mag w/ Drum Brake	Pneumatic	8"x1.5"	n/a	17.5" - 19.5"
12" Mag w/ Drum Brake	Pneumatic	8x2"	n/a	17.5" - 19.5"
12" Mag w/ Drum Brake	Full Poly	5"	13" - 14.5"	17.5" - 19.5"
12" Mag w/ Drum Brake	Full Poly	6"	14" - 14.5"	17.5" - 19.5"
12" Mag w/ Drum Brake	Full Poly	6x2"	14" - 14.5"	17.5" - 19.5"
12" Mag w/ Drum Brake	Full Poly	7"	n/a	17.5" - 19.5"
12" Mag w/ Drum Brake	Full Poly	8"	n/a	17.5" - 19.5"
12" Mag w/ Drum Brake	Full Poly	8"x1.5"	n/a	17.5" - 19.5"
12" Mag w/ Drum Brake	Full Poly	8x2"	n/a	17.5" - 19.5"

Inverted axle plates are not used with wheels 20" or larger.

Wheel	Tire	Caster	Standard Axle Plate Seat Heights	Inverted Axle Plate Seat Heights
16" Mag	Pneumatic	5"	13" - 16"	19" - 20.5"
16" Mag	Pneumatic	6"	14" - 16"	19" - 20.5"
16" Mag	Pneumatic	6x2"	14" - 16"	19" - 20.5"
16" Mag	Pneumatic	7"	15" - 16"	19" - 20.5"
16" Mag	Pneumatic	8"	16"	19" - 20.5"
16" Mag	Pneumatic	8"x1.5"	15.5" - 16"	19" - 20.5"
16" Mag	Pneumatic	8x2"	16"	19" - 20.5"
16" Mag	Full Poly	5"	13" - 16.5"	19" - 20.5"
16" Mag	Full Poly	6"	14" - 16.5"	19" - 20.5"
16" Mag	Full Poly	6x2"	14" - 16.5"	19" - 20.5"
16" Mag	Full Poly	7"	15" - 16.5"	19.5" - 20.5"
16" Mag	Full Poly	8"	16"	19" - 20.5"
16" Mag	Full Poly	8"x1.5"	15.5" - 16.5"	19" - 20.5"
16" Mag	Full Poly	8x2"	16" - 16.5"	19" - 20.5"
16" Mag	Low Poly	5"	13" - 15"	18" - 20"
16" Mag	Low Poly	6"	14" - 15"	18" - 20"
16" Mag	Low Poly	6x2"	14" - 15"	18" - 20.5"
16" Mag	Low Poly	7"	n/a	18" - 20.5"
16" Mag	Low Poly	8"	n/a	18" - 20.5"
16" Mag	Low Poly	8"x1.5"	n/a	18" - 20"
16" Mag	Low Poly	8x2"	n/a	18" - 20"
16" Mag w/ Drum Brake	All	5"	13.5" - 16"	19" - 20.5"
16" Mag w/ Drum Brake	All	6"	14" - 16"	18.5" - 20.5"
16" Mag w/ Drum Brake	All	6x2"	14" - 16"	18.5" - 20.5"
16" Mag w/ Drum Brake	All	7"	15" - 15.5"	18.5" - 20.5"
16" Mag w/ Drum Brake	All	8"	n/a	18.5" - 20.5"
16" Mag w/ Drum Brake	All	8"x1.5"	15.5" - 16"	18.5" - 20.5"
16" Mag w/ Drum Brake	All	8x2"	16"	18.5" - 20.5"