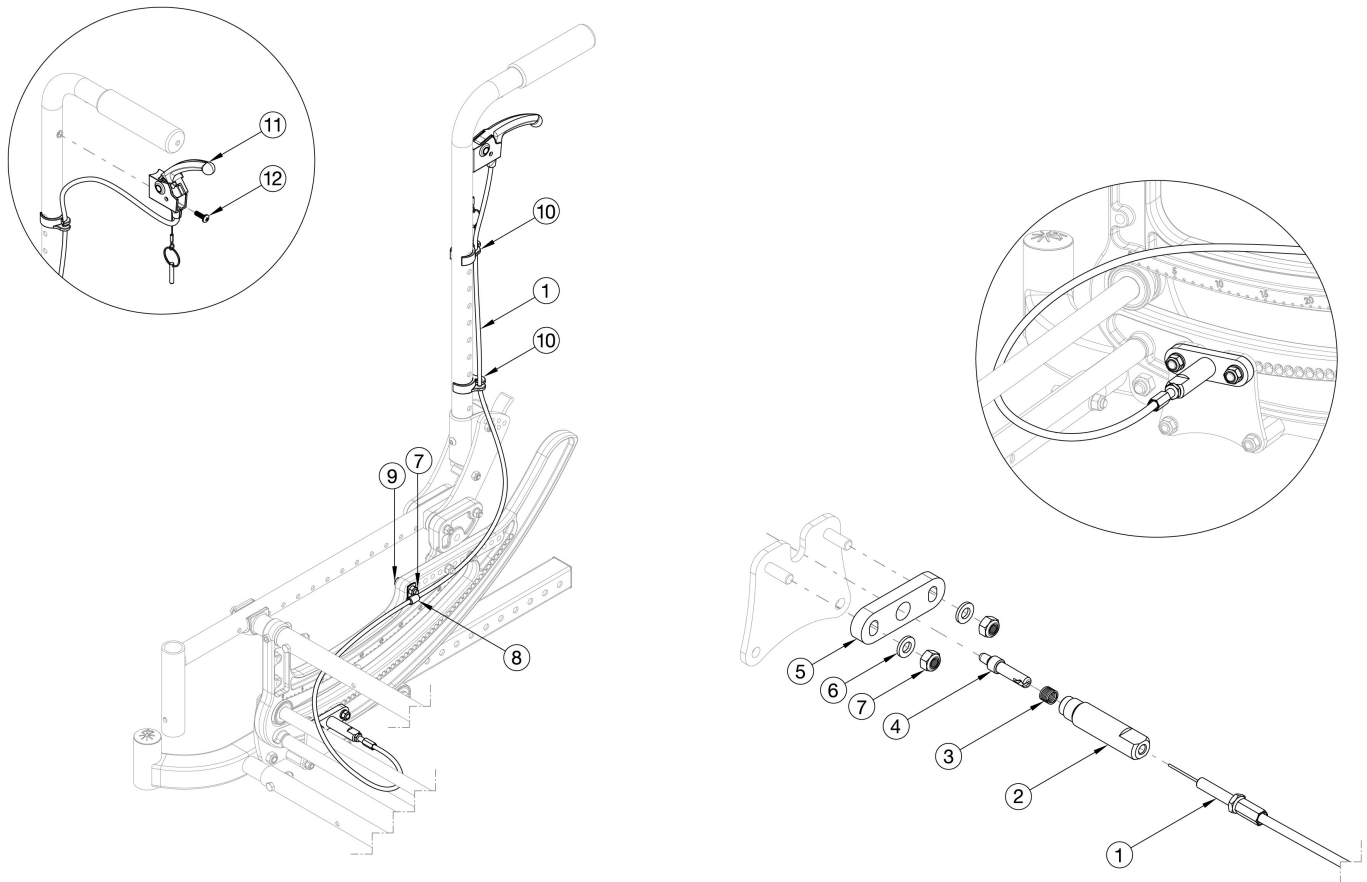


CR45 Dual Hand Tilt with Stroller Backrest



If retrofitting from Foot Tilt, complete Hand Tilt kits are recommended.

Item Number	Part Number	Description	Quantity
1a, 2-7, 10-12	116288	Cable Assembly Hand Tilt Kit Short <i>Used with Stroller Handle Back Post Short 20"</i>	2
1b, 2-7, 10-12	116289	Cable Assembly Hand Tilt Kit Medium <i>Used with Stroller Handle Back Post Tall 24"</i>	2
1a	112470	Hand Tilt Cable Short, CR45	2
1b	112471	Hand Tilt Cable Medium, CR45	2
2	112478	Plunger Housing	2
3	112480	Spring, Comp, .312ODx.81LGx.032W	2
4	112479	Plunger Pin	2
5	112477	Tilt Lock Plunger Adapter	2
6	100746	M6 Flat Washer Blk Zn	4

Item Number	Part Number	Description	Quantity
7	100658	M6 Nylock Nut Blk Zn	6
8	001239	P-Clip 3/16"	1
9	101824	M6 X 30 Hhcs Blk Zn	2
10	001117	Cable Clip 1"	2
11	002800	Lever Assembly Vertical Tilt	2
12	100734	M5 x 16 PHMS ZC	2