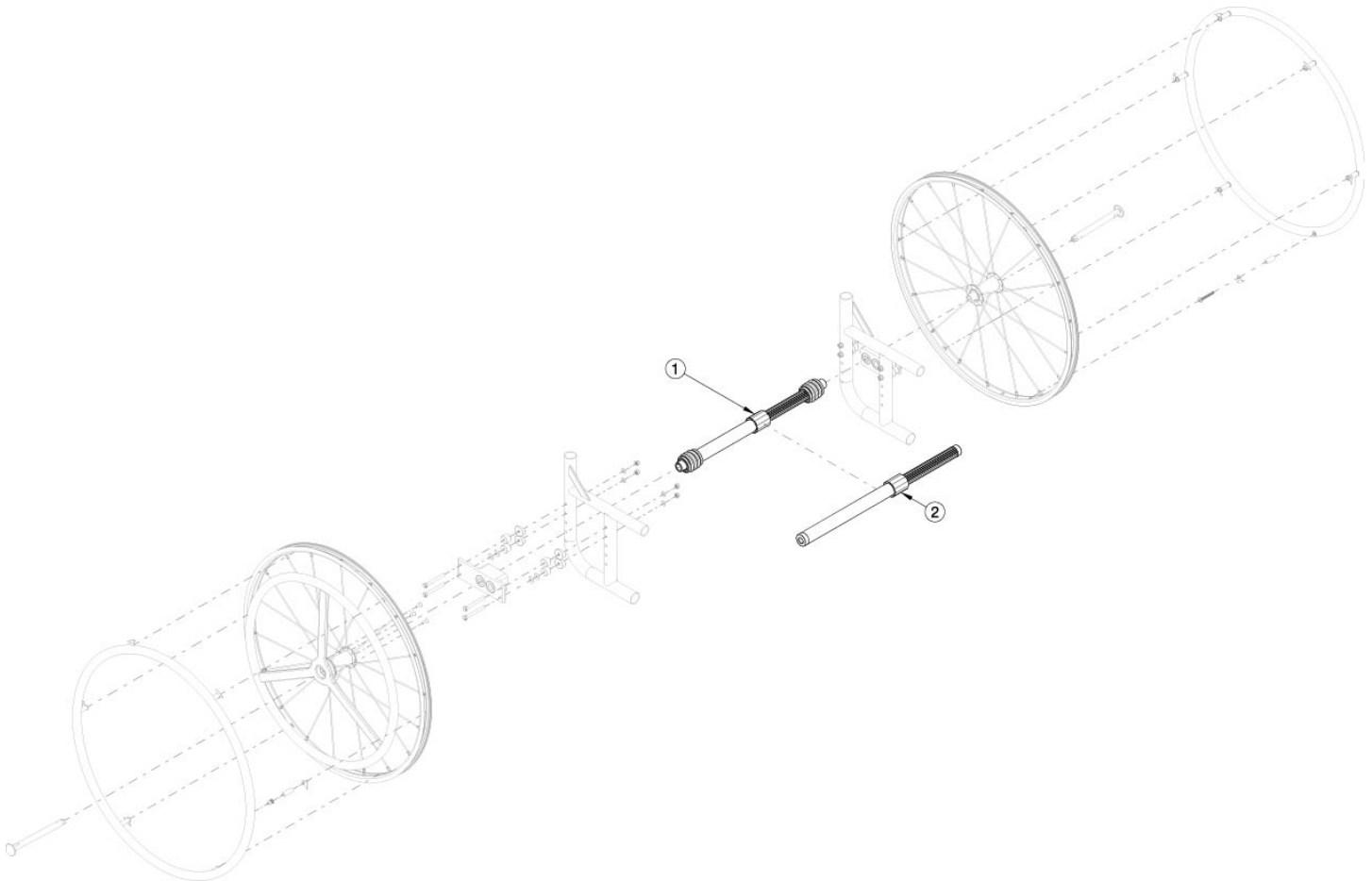


Catalyst / Spark One Arm Drive Quick Release - Growth



Reference Catalyst One Arm Drive (Quick Release) Hardware and Drive Shaft Chart to determine which retrofit kit is needed for your configuration. Effective 5/13/2022, all One Arm Drives will be shipped with a close mounted handrim on the non-drive wheel. Tires need to be quoted separately.

Item Number	Part Number	Description	Quantity
1a	111627	One Arm Drive - Quick Release Camber Drive Shaft 180-210mm <i>Used when 2° camber is present. Reference Hardware and Drive Shaft Chart for usage</i>	1
1b	111628	One Arm Drive - Quick Release Camber Drive Shaft 195-235mm <i>Used when 2° camber is present. Reference Hardware and Drive Shaft Chart for usage</i>	1
1c	111498	One Arm Drive - Quick Release Camber Drive Shaft 220-280mm <i>Used when 2° camber is present. Reference Hardware and Drive Shaft Chart for usage</i>	1
1d	111499	One Arm Drive - Quick Release Camber Drive Shaft 270-330mm <i>Used when 2° camber is present. Reference Hardware and Drive Shaft Chart for usage</i>	1
1e	111500	One Arm Drive - Quick Release Camber Drive Shaft 295-370mm	1

Item Number	Part Number	Description	Quantity
		<i>Used when 2° camber is present. Reference Hardware and Drive Shaft Chart for usage</i>	
1f	111501	One Arm Drive - Quick Release Camber Drive Shaft 350-460mm <i>Used when 2° camber is present. Reference Hardware and Drive Shaft Chart for usage</i>	1
1g	111502	One Arm Drive - Quick Release Camber Drive Shaft 420-530mm <i>Used when 2° camber is present. Reference Hardware and Drive Shaft Chart for usage</i>	1
2a	111503	One Arm Drive - Quick Release Zero Camber Drive Shaft 177-255mm <i>Used when 0° camber is present. Reference Hardware and Drive Shaft Chart for usage</i>	1
2b	111504	One Arm Drive - Quick Release Zero Camber Drive Shaft 225-295mm <i>Used when 0° camber is present. Reference Hardware and Drive Shaft Chart for usage</i>	1
2c	111505	One Arm Drive - Quick Release Zero Camber Drive Shaft 260-370mm <i>Used when 0° camber is present. Reference Hardware and Drive Shaft Chart for usage</i>	1
2d	111506	One Arm Drive - Quick Release Zero Camber Drive Shaft 330-440mm <i>Used when 0° camber is present. Reference Hardware and Drive Shaft Chart for usage</i>	1
2e	111507	One Arm Drive - Quick Release Zero Camber Drive Shaft 421-491mm <i>Used when 0° camber is present. Reference Hardware and Drive Shaft Chart for usage</i>	1
2f	111860	One Arm Drive - Quick Release Zero Camber/Camber Drive Shaft 485-595mm <i>Used when 0° camber is present. Reference Hardware and Drive Shaft Chart for usage</i>	1

DRIVE SHAFT LENGTH BY CONFIGURATION				
CATALYST SEAT WIDTH	ARMRESTS	CAMBER	PART NUMBER	DESCRIPTION
11"	NO ARMS, FLIP-UP & SWING AWAY	0°	111503	QUICK RELEASE OAD ZERO CAMBER DRIVE SHAFT 177-255mm
11"	FLIP BACK & HA T-ARMS (SADDLES + SPACERS REQUIRED)	0°	111503	QUICK RELEASE OAD ZERO CAMBER DRIVE SHAFT 177-255mm
11"	NO ARMS, FLIP-UP & SWING AWAY	2°	111627	QUICK RELEASE OAD CAMBER DRIVE SHAFT 180-210mm
11"	FLIP BACK & HA T-ARMS (SADDLES + SPACERS REQUIRED)	2°	111628	QUICK RELEASE OAD CAMBER DRIVE SHAFT 195-235mm
12"	NO ARMS, FLIP-UP & SWING AWAY	0°	111503	QUICK RELEASE OAD ZERO CAMBER DRIVE SHAFT 177-255mm
12"	FLIP BACK & HA T-ARMS (SADDLES + SPACERS REQUIRED)	0°	111503	QUICK RELEASE OAD ZERO CAMBER DRIVE SHAFT 177-255mm
12"	NO ARMS, FLIP-UP & SWING AWAY	2°	111628	QUICK RELEASE OAD CAMBER DRIVE SHAFT 195-235mm
12"	FLIP BACK & HA T-ARMS (SADDLES + SPACERS REQUIRED)	2°	111498	QUICK RELEASE OAD CAMBER DRIVE SHAFT 220-280mm
13"	NO ARMS, FLIP-UP & SWING AWAY	0°	111504	QUICK RELEASE OAD ZERO CAMBER DRIVE SHAFT 225-295mm
13"	FLIP BACK & HA T-ARMS (SADDLES + SPACERS REQUIRED)	0°	111504	QUICK RELEASE OAD ZERO CAMBER DRIVE SHAFT 225-295mm
13"	NO ARMS, FLIP-UP & SWING AWAY	2°	111498	QUICK RELEASE OAD CAMBER DRIVE SHAFT 220-280mm
13"	FLIP BACK & HA T-ARMS (SADDLES + SPACERS REQUIRED)	2°	111498	QUICK RELEASE OAD CAMBER DRIVE SHAFT 220-280mm
14"	NO ARMS, FLIP-UP & SWING AWAY	0°	111504	QUICK RELEASE OAD ZERO CAMBER DRIVE SHAFT 225-295mm
14"	FLIP BACK & HA T-ARMS (SADDLES + SPACERS REQUIRED)	0°	111504	QUICK RELEASE OAD ZERO CAMBER DRIVE SHAFT 225-295mm
14"	NO ARMS, FLIP-UP & SWING AWAY	2°	#111499	QUICK RELEASE OAD CAMBER DRIVE SHAFT 270-330mm
14"	FLIP BACK & HA T-ARMS (SADDLES + SPACERS REQUIRED)	2°	111499	QUICK RELEASE OAD CAMBER DRIVE SHAFT 270-330mm
15"	NO ARMS, FLIP-UP & SWING AWAY	0°	111505	QUICK RELEASE OAD ZERO CAMBER DRIVE SHAFT 260-370mm
15"	FLIP BACK & HA T-ARMS (SADDLES + SPACERS REQUIRED)	0°	111505	QUICK RELEASE OAD ZERO CAMBER DRIVE SHAFT 260-370mm
15"	NO ARMS, FLIP-UP & SWING AWAY	2°	111499	QUICK RELEASE OAD CAMBER DRIVE SHAFT 270-330mm
15"	FLIP BACK & HA T-ARMS (SADDLES + SPACERS REQUIRED)	2°	111499	QUICK RELEASE OAD CAMBER DRIVE SHAFT 270-330mm
16"	NO ARMS, FLIP-UP & SWING AWAY	0°	111505	QUICK RELEASE OAD ZERO CAMBER DRIVE SHAFT 260-370mm
16"	FLIP BACK & HA T-ARMS (SADDLES + SPACERS REQUIRED)	0°	111505	QUICK RELEASE OAD ZERO CAMBER DRIVE SHAFT 260-370mm
16"	NO ARMS, FLIP-UP & SWING AWAY	2°	111500	QUICK RELEASE OAD CAMBER DRIVE SHAFT 295-370mm
16"	FLIP BACK & HA T-ARMS (SADDLES + SPACERS REQUIRED)	2°	111500	QUICK RELEASE OAD CAMBER DRIVE SHAFT 295-370mm

#FOR THIS CONFIGURATION, ONE WHEEL MUST BE REMOVED BEFORE THE DRIVE SHAFT CAN BE INSTALLED. THE SECOND WHEEL CAN BE INSTALLED ONCE THE DRIVE SHAFT IS IN POSITION.

DRIVE SHAFT LENGTH BY CONFIGURATION				
CATALYST SEAT WIDTH	ARMRESTS	CAMBER	PART NUMBER	DESCRIPTION
17"	NO ARMS, FLIP-UP & SWING AWAY	0°	111506	QUICK RELEASE OAD ZERO CAMBER DRIVE SHAFT 330-440mm
17"	FLIP BACK & HA T-ARMS (SADDLES + SPACERS REQUIRED)	0°	111505	QUICK RELEASE OAD ZERO CAMBER DRIVE SHAFT 260-370mm
17"	NO ARMS, FLIP-UP & SWING AWAY	2°	111500	QUICK RELEASE OAD CAMBER DRIVE SHAFT 295-370mm
17"	FLIP BACK & HA T-ARMS (SADDLES + SPACERS REQUIRED)	2°	111501	QUICK RELEASE OAD CAMBER DRIVE SHAFT 350-460mm
18"	NO ARMS, FLIP-UP & SWING AWAY	0°	111506	QUICK RELEASE OAD ZERO CAMBER DRIVE SHAFT 330-440mm
18"	FLIP BACK & HA T-ARMS (SADDLES + SPACERS REQUIRED)	0°	111506	QUICK RELEASE OAD ZERO CAMBER DRIVE SHAFT 330-440mm
18"	NO ARMS, FLIP-UP & SWING AWAY	2°	111501	QUICK RELEASE OAD CAMBER DRIVE SHAFT 350-460mm
18"	FLIP BACK & HA T-ARMS (SADDLES + SPACERS REQUIRED)	2°	111501	QUICK RELEASE OAD CAMBER DRIVE SHAFT 350-460mm
19"	NO ARMS, FLIP-UP & SWING AWAY	0°	111506	QUICK RELEASE OAD ZERO CAMBER DRIVE SHAFT 330-440mm
19"	FLIP BACK & HA T-ARMS (SADDLES + SPACERS REQUIRED)	0°	111506	QUICK RELEASE OAD ZERO CAMBER DRIVE SHAFT 330-440mm
19"	NO ARMS, FLIP-UP & SWING AWAY	2°	111501	QUICK RELEASE OAD CAMBER DRIVE SHAFT 350-460mm
19"	FLIP BACK & HA T-ARMS (SADDLES + SPACERS REQUIRED)	2°	111501	QUICK RELEASE OAD CAMBER DRIVE SHAFT 350-460mm
20"	NO ARMS, FLIP-UP & SWING AWAY	0°	111506	QUICK RELEASE OAD ZERO CAMBER DRIVE SHAFT 330-440mm
20"	FLIP BACK & HA T-ARMS (SADDLES + SPACERS REQUIRED)	0°	111507	QUICK RELEASE OAD ZERO CAMBER DRIVE SHAFT 421-491mm
20"	NO ARMS, FLIP-UP & SWING AWAY	2°	111501	QUICK RELEASE OAD CAMBER DRIVE SHAFT 350-460mm
20"	FLIP BACK & HA T-ARMS (SADDLES + SPACERS REQUIRED)	2°	111501	QUICK RELEASE OAD CAMBER DRIVE SHAFT 350-460mm
21"	NO ARMS, FLIP-UP & SWING AWAY	0°	111507	QUICK RELEASE OAD ZERO CAMBER DRIVE SHAFT 421-491mm
21"	FLIP BACK & HA T-ARMS (SADDLES + SPACERS REQUIRED)	0°	111507	QUICK RELEASE OAD ZERO CAMBER DRIVE SHAFT 421-491mm
21"	NO ARMS, FLIP-UP & SWING AWAY	2°	111502	QUICK RELEASE OAD CAMBER DRIVE SHAFT 420-530mm
21"	FLIP BACK & HA T-ARMS (SADDLES + SPACERS REQUIRED)	2°	111502	QUICK RELEASE OAD CAMBER DRIVE SHAFT 420-530mm
22"	NO ARMS, FLIP-UP & SWING AWAY	0°	111507	QUICK RELEASE OAD ZERO CAMBER DRIVE SHAFT 421-491mm
22"	FLIP BACK & HA T-ARMS (SADDLES + SPACERS REQUIRED)	0°	#111860	QUICK RELEASE OAD CAMBER DRIVE SHAFT 485-595mm
22"	NO ARMS, FLIP-UP & SWING AWAY	2°	111502	QUICK RELEASE OAD CAMBER DRIVE SHAFT 420-530mm
22"	FLIP BACK & HA T-ARMS (SADDLES + SPACERS REQUIRED)	2°	111502	QUICK RELEASE OAD CAMBER DRIVE SHAFT 420-530mm

#FOR THIS CONFIGURATION, ONE WHEEL MUST BE REMOVED BEFORE THE DRIVE SHAFT CAN BE INSTALLED. THE SECOND WHEEL CAN BE INSTALLED ONCE THE DRIVE SHAFT IS IN POSITION.

HARDWARE GUIDE

	CURVED REAR FRAME														
	NO ARMS						FLIP BACK AND T-ARMS				SWING AWAY ARMS				
	0° CAMBER			2° CAMBER			0° OR 2° CAMBER				0° CAMBER		2° CAMBER		
NO OPTIONS	101827	M6 X 55 HHCS BLACK ZN	4	100679	M6 X 65 HHCS ZN	4	100679	M6 X 65 HHCS ZN	4	100676	M6 X 55 HHCS ZN	2	100679	M6 X 65 HHCS ZN	2
	100746	M6 FLAT WASHER BLK ZN	4	100746	M6 FLAT WASHER BLK ZN	4	000056	SADDLE	4	100679	M6 X 65 HHCS ZN	2	100544	M6 X 75 HHCS ZN	2
				000056	SADDLE	4	003172	SPACER	4	101826	M6 X 50 HHCS BLACK ZN	1	101826	M6 X 50 HHCS BLACK ZN	1
													000056	SADDLE	4
													003172	SPACER	4
ANTI-TIPS	101827	M6 X 55 HHCS BLACK ZN	2	100679	M6 X 65 HHCS ZN	2	100680	M6 X 70 HHCS ZN	2	101826	M6 X 50 HHCS BLACK ZN	2	100677	M6 X 60 HHCS ZN	2
	100677	M6 X 60 HHCS ZN	2	100680	M6 X 70 HHCS ZN	2	100679	M6 X 65 HHCS ZN	2	100677	M6 X 60 HHCS ZN	1	102996	M6 X 85 HHCS BLACK ZN	2
				000056	SADDLE	4	000056	SADDLE	4	100679	M6 X 65 HHCS ZN	1	101826	M6 X 50 HHCS BLACK ZN	1
				003172	SPACER	4	003172	SPACER	4	100676	M6 X 55 HHCS ZN	1	000056	SADDLE	4
													003172	SPACER	4
TRANSIT	101827	M6 X 55 HHCS BLACK ZN	2	100679	M6 X 65 HHCS ZN	2	102996	M6 X 85 HHCS BLACK ZN	2	101826	M6 X 50 HHCS BLACK ZN	2	100677	M6 X 60 HHCS ZN	2
	100679	M6 X 65 HHCS ZN	2	100544	M6 X 75 HHCS ZN	2	100679	M6 X 65 HHCS ZN	2	100679	M6 X 65 HHCS ZN	2	100660	M6 X 80 HHCS ZN	2
	101826	M6 X 50 HHCS BLACK ZN	1	101826	M6 X 50 HHCS BLACK ZN	1	101827	M6 X 55 HHCS BLACK ZN	1	100676	M6 X 55 HHCS ZN	1	100676	M6 X 55 HHCS ZN	1
				000056	SADDLE	4	000056	SADDLE	4				000056	SADDLE	4
				003172	SPACER	4	003172	SPACER	4				003172	SPACER	4
ANTI-TIPS & TRANSIT	101826	M6 X 50 HHCS BLACK ZN	2	100677	M6 X 60 HHCS ZN	2	100660	M6 X 80 HHCS ZN	2	100676	M6 X 55 HHCS ZN	2	100704	M6 X 90 HHCS ZN	2
	100679	M6 X 65 HHCS ZN	2	102996	M6 X 85 HHCS BLACK ZN	2	100679	C6 X 65 HHCS ZN	2	100679	M6 X 65 HHCS ZN	2	100676	M6 X 55 HHCS ZN	1
				101826	M6 X 50 HHCS BLACK ZN	1	101827	M6 X 55 HHCS BLACK ZN	1				100677	M6 X 60 HHCS ZN	2
				000056	SADDLE	4	000056	SADDLE	4				000056	SADDLE	4
				003172	SPACER	4	003172	SPACER	4				003172	SPACER	4

HARDWARE GUIDE

	DEPTH ADJUSTABLE/SPARK REAR FRAME									
	ANGLE ADJ. LOCKING FLIP UP, TUBULAR FLIP UP, PEDIATRIC T-ARM OR NO ARMS						FLIP BACK AND T-ARMS			
	0° CAMBER			2° CAMBER			0° OR 2° CAMBER			
NO OPTIONS	101826	M6 X 50 HHCS BLACK ZN	4	100677	M6 X 60 HHCS ZN	4		100677	M6 X 60 HHCS ZN	4
	100746	M6 FLAT WASHER BLK ZN	4	100746	M6 FLAT WASHER BLK ZN	4		100746	M6 FLAT WASHER BLK ZN	4
				000055	SADDLE	4		000055	SADDLE	4
								003172	SPACER	4
ANTI-TIPS	101826	M6 X 50 HHCS BLACK ZN	2	100677	M6 X 60 HHCS ZN	2		100679	M6 X 65 HHCS ZN	2
	100676	M6 X 55 HHCS ZN	2	100679	M6 X 65 HHCS ZN	2		100677	M6 X 60 HHCS ZN	2
				000055	SADDLE	4		000055	SADDLE	4
				003172	SPACER	4		003172	SPACER	4
TRANSIT	101826	M6 X 50 HHCS BLACK ZN	2	100677	M6 X 60 HHCS ZN	2		100660	M6 X 80 HHCS ZN	2
	100677	M6 X 60 HHCS ZN	2	100680	M6 X 70 HHCS ZN	2		100677	M6 X 60 HHCS ZN	2
	100674	M6 X 45 HHCS ZN	1	100674	M6 X 45 HHCS ZN	1		101826	M6 X 50 HHCS BLACK ZN	1
				000055	SADDLE	4		000055	SADDLE	4
				003172	SPACER	4		003172	SPACER	4
ANTI-TIPS & TRANSIT	100674	M6 X 45 HHCS ZN	2	100676	M6 X 55 HHCS ZN	2		100544	M6 X 75 HHCS ZN	2
	100677	M6 X 60 HHCS ZN	2	100660	M6 X 80 HHCS ZN	2		100677	M6 X 60 HHCS ZN	2
				100674	M6 X 45 HHCS ZN	1		101826	M6 X 50 HHCS BLACK ZN	1
				000055	SADDLE	4		000055	SADDLE	4
				003172	SPACER	4		003172	SPACER	4