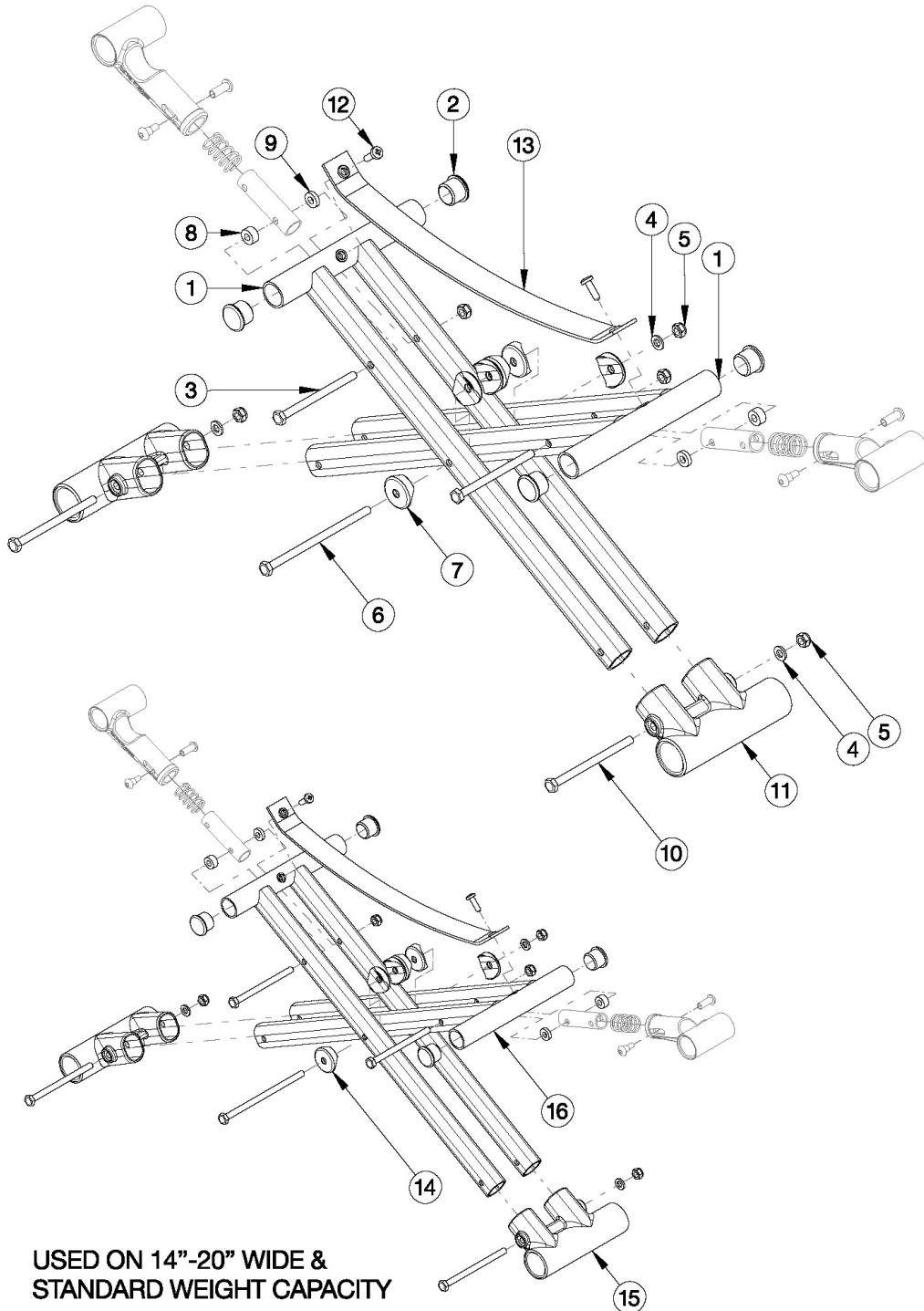


Catalyst 4 Cross Braces - Open Seating (Seating System) - Growth

USED ON 21"-22" WIDE OR HEAVY DUTY



Oval-style cross braces effective 6/15/16 on 21" - 22" wide chairs and chairs with Heavy Duty option. Starting with serial numbers C4018744, C4HD002701. Round-style cross braces are used on 14" - 20" wide chairs with the Standard Weight Capacity. When changing from round-style to oval-style cross braces, lower frame pivots and cross brace hardware are required. Order kit 502177.

Item Number	Part Number	Description	Quantity
3-10	501398	Round-Style Cross Brace Hardware Kit CAT <i>Used on 14" - 20" Wide and Standard Weight Capacity</i>	1
3-10	503320	Catalyst Cross Brace Hardware Kit <i>Used on 21" -22" Wide or Heavy Duty Option</i>	1
16a, 2	101747	Open Seat Cross Tube 14" Wide CAT <i>Used with Standard Weight Capacity</i>	1
1a, 2	003353	Seating System Cross Brace 14" Wide CAT <i>Used with Heavy Duty Option</i>	2
16b, 2	101748	Open Seat Cross Tube 15" Wide CAT <i>Used with Standard Weight Capacity</i>	1
1b, 2	003354	Seating System Cross Brace 15" Wide CAT <i>Used with Heavy Duty Option</i>	2
16c, 2	101749	Open Seat Cross Tube 16" Wide CAT <i>Used with Standard Weight Capacity</i>	1
1c, 2	003355	Seating System Cross Brace 16" Wide CAT <i>Used with Heavy Duty Option</i>	2
16d, 2	101750	Open Seat Cross Tube 17" Wide CAT <i>Used with Standard Weight Capacity</i>	1
1d, 2	003356	Seating System Cross Brace 17" Wide CAT <i>Used with Heavy Duty Option</i>	2
16e, 2	101751	Open Seat Cross Tube 18" Wide CAT <i>Used with Standard Weight Capacity</i>	1
1e, 2	003357	Seating System Cross Brace 18" Wide CAT <i>Used with Heavy Duty Option</i>	2
16f, 2	101752	Open Seat Cross Tube 19" Wide CAT <i>Used with Standard Weight Capacity</i>	1
1f, 2	003358	Seating System Cross Brace 19" Wide CAT <i>Used with Heavy Duty Option</i>	2
16g, 2	101753	Open Seat Cross Tube 20" Wide CAT <i>Used with Standard Weight Capacity</i>	1
1g, 2	003359	Seating System Cross Brace 20" Wide CAT <i>Used with Heavy Duty Option</i>	2
16h, 2	101754	Open Seat Cross Tube 21" Wide CAT	1

Item Number	Part Number	Description	Quantity
		<i>This round style cross brace is no longer used, effective 6/15/16</i>	
1h, 2	003360	Seating System Cross Brace 21" Wide CAT	2
16i, 2	101755	Open Seat Cross Tube 22" Wide CAT <i>This round style cross brace is no longer used, effective 6/15/16</i>	1
1i, 2	003361	Seating System Cross Brace 22" Wide CAT	2
2	101162	7/8 OD End Plug BLK	2
3	100660	M6 x 80mm CLS8.8 DIN931 HHCS ZC	2
4	100746	M6 Flat Washer Blk Zn	1
5	100658	M6 Nylock Nut Blk Zn	3
6	100678	M6 x 110 CLS8.8 DIN931 HHCS ZC	1
7	002807	Cross Tube Saddle CAT <i>Used on 21" -22" Wide or Heavy Duty Option</i>	6
8	100880	1/4" Plastic Spacer <i>Not used on 14" wide chairs</i>	2
9	105019	3/16" Plastic Spacer <i>Not used on 14" wide chairs</i>	2
10	100704	M6 x 90 CLS8.8 DIN931 HHCS ZC	2
11	002806	Lower Frame Pivot CAT <i>Used on 21" -22" Wide or Heavy Duty Option</i>	1
3-7, 10, 11	107296	Lower Frame Pivot and Catalyst Oval-Style Cross Brace Hardware Kit 14" Wide (Pair) <i>Used on 14" Wide with Heavy Duty Option</i>	1
3-11	502177	Lower Frame Pivot and Catalyst Oval-Style Cross Brace Hardware Kit (Pair) <i>Used on 21" -22" Wide or Heavy Duty Option</i>	1
12	100734	M5 x 16 PHMS ZC	2
13a	200233	Seat Strap Open Frame 14" Wide CAT	1
13b	200234	Seat Strap Open Frame 15" Wide CAT	1
13c	200235	Seat Strap Open Frame 16" Wide CAT	1
13d	200236	Seat Strap Open Frame 17" Wide CAT	1
13e	200237	Seat Strap Open Frame 18" Wide CAT	1
13f	200238	Seat Strap Open Frame 19" / 21" Wide CAT	1
13g	200239	Seat Strap Open Frame 20"/22" Wide CAT	1

Item Number	Part Number	Description	Quantity
14	000054	Saddle 7/8" <i>Used on 14" - 20" Wide and Standard Weight Capacity</i>	4
15	000001	Lower Frame Pivot CAT <i>Used on 14" - 20" Wide and Standard Weight Capacity</i>	1