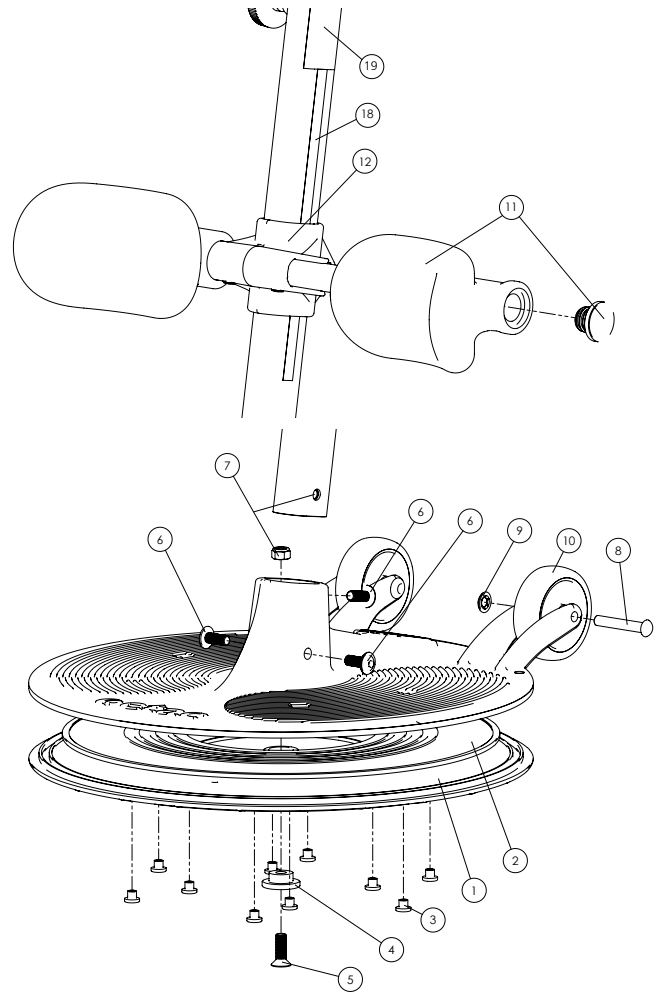
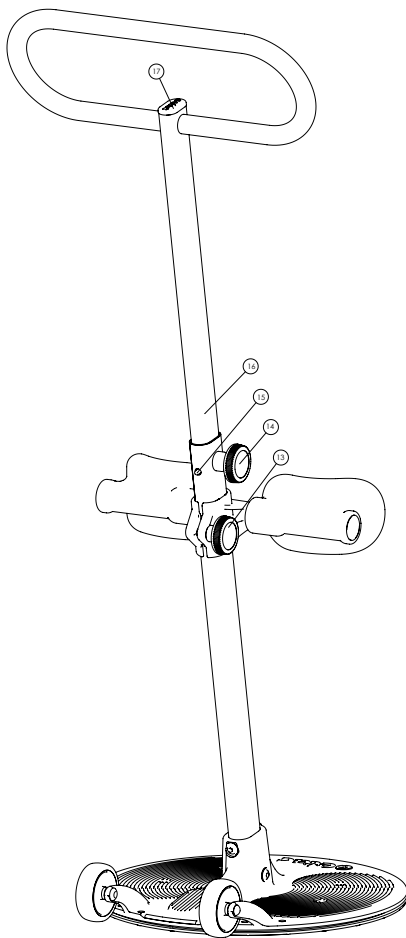


Etac Turner PRO

Spare part list



41-148 Rev A 2016-06-09



Pos	Title	Item no.	Pos	Title	Item no.
1.	Floor plate	82969	11.	Chusion replace set (2x chusion + 2x plug).....	28151
2.	Low friction disc	51111	12.	Lower leg support (complete).....	28048
3.	Antiskid knob (10 pcs)	51112	13.	Handle M8.....	83028
4.	Bushing.....	82972	14.	Handle M10	82971
5.	Insex bolt M8.....	11679	15.	Snap locking spring.....	82970
6.	Unbrako M8	11680	16.	Inner pole.....	82966
7.	Lock nut M8	12011	17.	Oval pipe plug.....	51109
8.	Bolt elzn Ø8.....	14040	18.	Height label.....	71365
9.	Starlock Ø8.....	13046	19.	User label.....	71366
10.	Wheel.....	82973			

