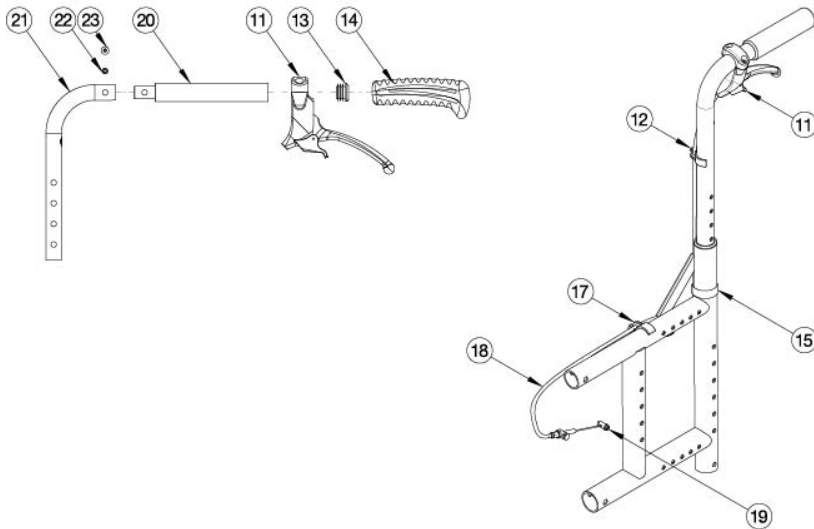
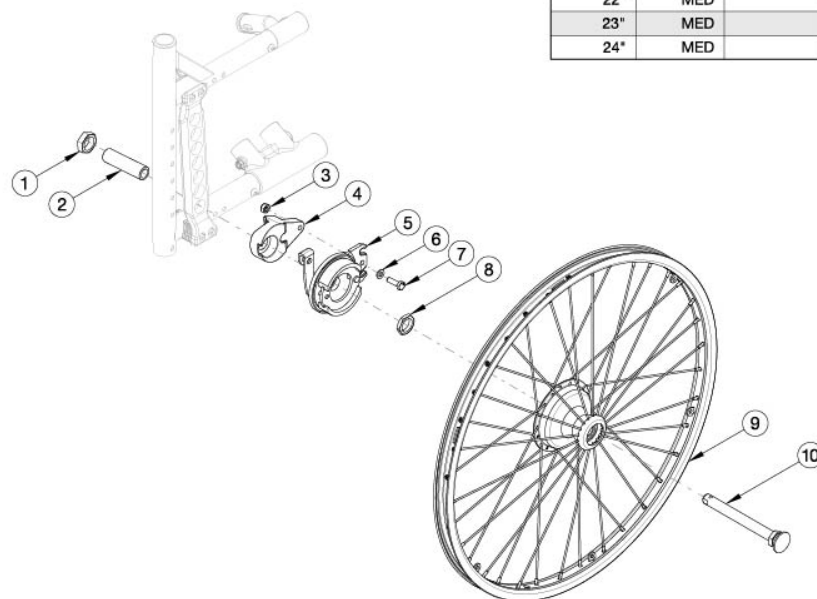


# Catalyst 5VX Drum Brake



Cable for Backrest Type			
Backrest Height	Standard	Angle Adjustable	Caregiver Height Adjustable
8.5"	3XS		LNG
9.5"	3XS		LNG
10.5"	2XS		LNG
11.5"	2XS		LNG
12.5"	2XS		LNG
13"			
13.5"	2XS		LNG
14"		XS	
14.5"	XS		LNG
15"		XS	
15.5"	XS		LNG
16"		SHT	
16.5"	XS		LNG
17"		SHT	
17.5"	XS		LNG
18"		SHT	
18.5"	SHT		LNG
19"		SHT	
19.5"	SHT		LNG
20"		MED	
21"	SHT		
22"	MED		
23"	MED		
24"	MED		



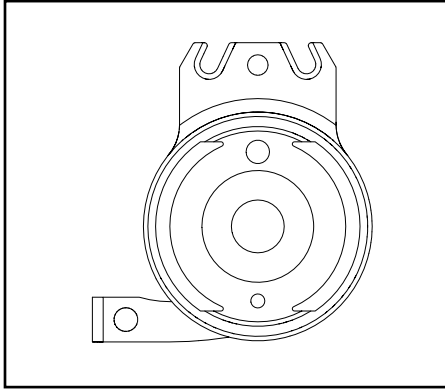
For a complete retrofit, quote a drum brake retrofit kit (qty 1), backtube kit (qty 2) and drum brake cable kit (qty 2). Most Drum Brake Retrofit Kits contain two wheels, but do not contain rear tires or handrims. If 24" Pneumatic w/ Airless Insert tires are needed, please see kit 116569 which includes Pneumatic w/ Airless Insert tires and the inserts but no handrims.

Item Number	Part Number	Description	Quantity
1 - 4, 5a, 5b, 7, 8, 9a, 10, 18	113322	Drum Brake Retrofit Kit 20" MAXX Spoke, Catalyst 5VX	1
1 - 4, 5a, 5b, 7, 8, 9b, 10, 18	113323	Drum Brake Retrofit Kit 22" MAXX Spoke, Catalyst 5VX	1
1 - 4, 5a, 5b, 7, 8, 9c, 10, 18	113324	Drum Brake Retrofit Kit 24" MAXX Spoke, Catalyst 5VX	1
1 - 4, 5a, 5b, 7, 8, 9c, 10, 18	118239	Drum Brake Retrofit Kit 24" MAXX Spoke, Pneumatic w/ Airless Insert Tire (Black), Cat 5Vx <i>Replaced part number 116569</i>	1

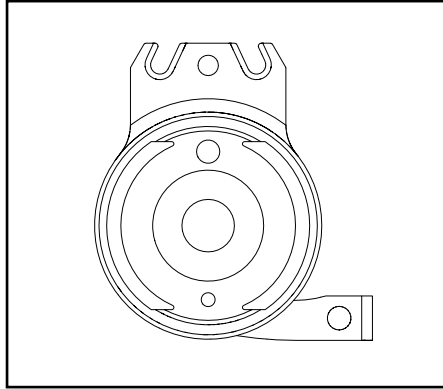
Item Number	Part Number	Description	Quantity
13, 14, 19, 20, 21a, 22	113299	Backtube Straight w/ Push Handle Short with Backcane Extension Catalyst	2
13, 14, 19, 20, 21b, 23	113300	Backtube Straight w/ Push Handle Medium with Backcane Extension, Catalyst	2
13, 14, 19, 20, 21c, 24	113301	Backtube Straight w/ Push Handle Tall with Backcane Extension, Catalyst	2
13, 14, 19, 20, 21d, 25	113302	Backtube 8° Bend w/ Push Handle Medium with Backcane Extension, Catalyst	2
13, 14, 19, 20, 21e, 26	113303	Backtube 8° Bend w/ Push Handle Tall with Backcane Extension Catalyst	2
13, 14, 19, 20, 21f, 27	113304	Backtube Straight Half Folding Back Upper w/ Push Handle Short with Backcane Extension, Catalyst <i>This is just the upper backtube assembly. If the Half Folding Backrest is not already present, you will need this kit along with backrest hinge latch assemblies and lower tube found on the Catalyst Half Folding Backrest page.</i>	2
13, 14, 19, 20, 21g, 28	113305	Backtube Straight Half Folding Back Upper w/ Push Handle Tall with Backcane Extension, Catalyst <i>This is just the upper backtube assembly. If the Half Folding Backrest is not already present, you will need this kit along with backrest hinge latch assemblies and lower tube found on the Catalyst Half Folding Backrest page.</i>	2
13, 14, 19, 20, 21h, 29	113306	Backtube 8° Bend Half Folding Back Upper w/ Push Handle Short with Backcane Extension, Catalyst <i>This is just the upper backtube assembly. If the Half Folding Backrest is not already present, you will need this kit along with backrest hinge latch assemblies and lower tube found on the Catalyst Half Folding Backrest page.</i>	2
13, 14, 19, 20, 21i, 30	113307	Backtube 8° Bend Half Folding Back Upper w/ Push Handle Tall with Backcane Extension, Catalyst <i>This is just the upper backtube assembly. If the Half Folding Backrest is not already present, you will need this kit along with backrest hinge latch assemblies and lower tube found on the Catalyst Half Folding Backrest page.</i>	2
13, 14, 19, 20, 21j, 31	113315	Backtube Angle Adjustable Upper w/ Push Handle Short with Backcane Extension, Catalyst <i>This is just the upper backtube assembly. If the Angle Adjustable Backrest is not already present, you will need this kit along with the Angle Adjustable Back Post Lower Assembly found on the Catalyst Angle Adjustable Backrest page.</i>	2
13, 14, 19, 20, 21k, 32	113308	Backtube Angle Adjustable Upper w/ Push Handle Medium with Backcane Extension, Catalyst <i>This is just the upper backtube assembly. If the Angle Adjustable Backrest is not already present, you will need this kit along with the Angle Adjustable Back Post Lower Assembly found on the Catalyst Angle Adjustable Backrest page.</i>	2
13, 14, 19, 20, 21l, 33	113309	Backtube Angle Adjustable Upper w/ Push Handle Tall with Backcane Extension, Catalyst <i>This is just the upper backtube assembly. If the Angle Adjustable Backrest is not already present, you will need this kit along with the Angle Adjustable Back Post Lower Assembly found on the Catalyst Angle Adjustable Backrest page.</i>	2
13, 14, 19, 20, 21m, 34	122057	Caregiver Height Adjustable Stroller Handle Short Back Tube Drum Brake Kit Pair	1

Item Number	Part Number	Description	Quantity
13, 14, 19, 20, 21n, 35	122058	Caregiver Height Adjustable Stroller Handle Medium Back Tube Drum Brake Kit Pair	1
13, 14, 19, 20, 21o, 36	122059	Caregiver Height Adjustable Stroller Handle Tall Back Tube Drum Brake Kit Pair	1
13, 14, 19, 20, 21p, 37	122060	Caregiver Height Adjustable Stroller Handle assembly with Clamp Drum Brake Single Side <i>Does not include straight with no push handle back tube this part is available on the caregiver push handle backrest page</i>	2
13, 14, 19, 20, 21q, 38	122061	Caregiver Height Adjustable Stroller Handle Drum Brake Single Side <i>Does not include straight with no push handle back tube this part is available on the caregiver push handle backrest page</i>	2
11, 12, 15, 16, 17a, 18	113292	Drum Brake Cable Kit with Brake Lever for 7/8" Tubing, 3XS, Catalyst 5/VX <i>Used with Straight with Push Handle, 8° Bend with Push Handle, Angle Adjustable with Push Handle or Half Folding back posts.</i>	2
11, 12, 15, 16, 17b, 18	113293	Drum Brake Cable Kit with Brake Lever for 7/8" Tubing, 2XS, Catalyst 5/VX <i>Used with Straight with Push Handle, 8° Bend with Push Handle, Angle Adjustable with Push Handle or Half Folding back posts.</i>	2
11, 12, 15, 16, 17c, 18	113294	Drum Brake Cable Kit with Brake Lever for 7/8" Tubing, XS, Catalyst 5/VX <i>Used with Straight with Push Handle, 8° Bend with Push Handle, Angle Adjustable with Push Handle or Half Folding back posts.</i>	2
11, 12, 15, 16, 17d, 18	113295	Drum Brake Cable Kit with Brake Lever for 7/8" Tubing, Short, Catalyst 5/VX <i>Used with Straight with Push Handle, 8° Bend with Push Handle, Angle Adjustable with Push Handle or Half Folding back posts.</i>	2
11, 12, 15, 16, 17e, 18	113296	Drum Brake Cable Kit with Brake Lever for 7/8" Tubing, Medium, Catalyst 5/VX <i>Used with Straight with Push Handle, 8° Bend with Push Handle, Angle Adjustable with Push Handle or Half Folding back posts.</i>	2
11, 12, 15, 16, 17f, 18	122062	Drum Brake Cable Kit with Brake Lever for 7/8" Tubing Caregiver Height Adjustable Stroller Handle, Long, Catalyst 5/VX	0
1 - 4, 5a, 5b, 7, 8, 10, 18	113317	Drum Brake Rotor Kit with Hardware PAIR, Catalyst 5VX	1
1 - 4, 7, 8, 10, 18	113318	Hardware Kit for Drum Brake Rotor PAIR, Catalyst 5VX	1
1 - 4, 5a, 7, 8, 10, 18	113319	Drum Brake Rotor Kit with Hardware, Side B, Catalyst 5VX	1
1 - 4, 5b, 7, 8, 10, 18	113320	Drum Brake Rotor Kit with Hardware, Side A, Catalyst 5VX	1
1 - 4, 7, 8, 10, 18	113321	Hardware Kit for Drum Brake Rotor, One Side, Catalyst 5VX	1
9a	111731	Wheel 20" MAXX Spoke, Drum Brake	2
9b	111732	Wheel 22" MAXX Spoke, Drum Brake	2
9c	111733	Wheel 24" MAXX Spoke, Drum Brake	2

Item Number	Part Number	Description	Quantity
9d	118358	24" Spoke for Drum Brake, Pneumatic w/ Airless Insert Tire (Black) <i>Replaced part number 117432. Does not include the handrim. Quote handrim hardware if needed.</i>	2
10	101191	Axle Quick Release w/ Button 1/2" x 110MM	2
11	111735	Brake Lever, Lock, Ang, 22mm	2
12	001118	Cable Clip 7/8"	2
15	111806	Cable Tie, 8"	2
16	001117	Cable Clip 1"	2
17a, 18	122737	Drum Brake / Hemi Wheel Lock 3XS Cable	2
17b, 18	122731	Drum Brake / Hemi Wheel Lock 2XS Cable	2
17c, 18	122732	Drum Brake / Hemi Wheel Lock XS Cable	2
17d, 18	122726	Drum Brake / Hemi Wheel Lock Short Cable	2
17e, 18	122727	Drum Brake / Hemi Wheel Lock Medium Cable	2
17f, 18	122728	Drum Brake / Hemi Wheel Lock Long Cable <i>Used for Cargiver Height Adjustable Stroller Handles</i>	2
18	111598	Pinch Bolt	2



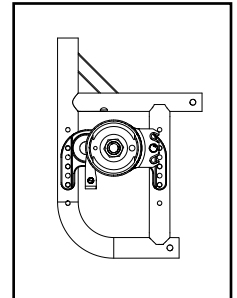
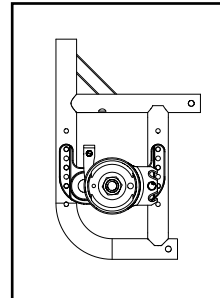
**Rotor A** - Part No. 111641



**Rotor B** - Part No. 111640

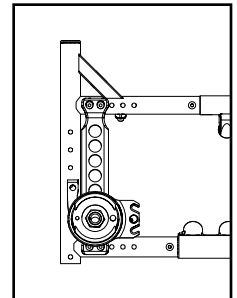
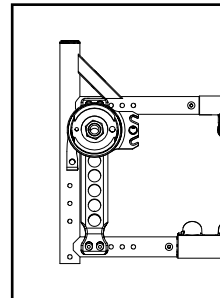
<b>Catalyst 5</b>		
<b>Configuration</b>	<b>Left</b>	<b>Right</b>
Axle plate curve up	B	A
Axle plate curve down	A	B

Left: Axle Plate Curve Up  
Right: Axle Plate Curve Down

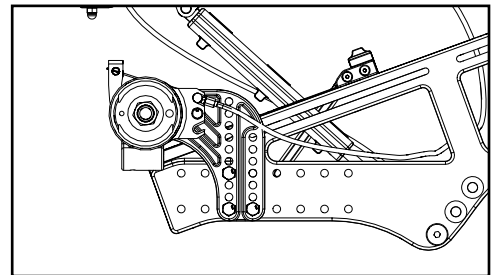


<b>Catalyst 5VX</b>		
<b>Configuration</b>	<b>Left</b>	<b>Right</b>
Axle Position holes 1-5 (top)	A	B
Axle Position holes 6-7 (bottom)	B	A

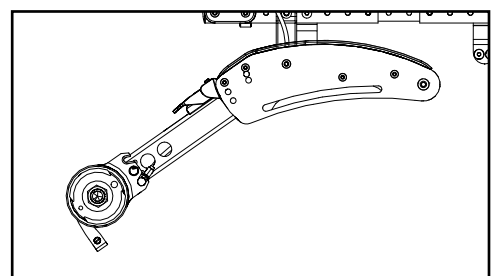
Left: Axle Position Top  
Right: Axle Position Bottom



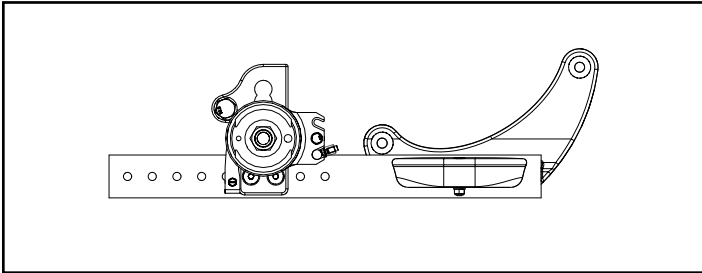
<b>Liberty</b>		
<b>Configuration</b>	<b>Left</b>	<b>Right</b>
All	B	A



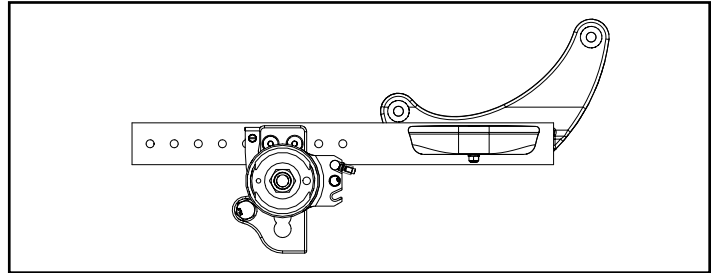
<b>Flip</b>		
<b>Configuration</b>	<b>Left</b>	<b>Right</b>
All	A	B



<b>Focus</b>		
<b>Configuration</b>	<b>Left</b>	<b>Right</b>
Standard (mounts above base frame)	A	B
Inverted (mounts below base frame)	B	A

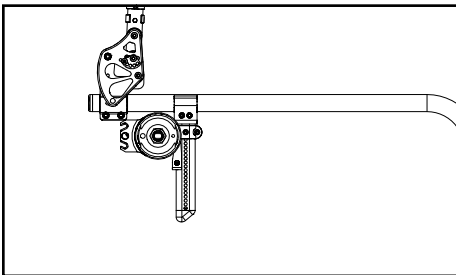


Standard Configuration

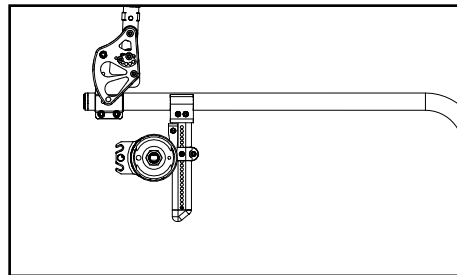


Inverted Configuration

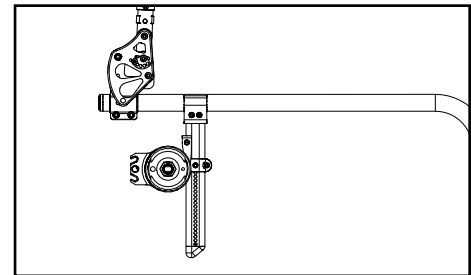
<b>Rigid</b>		
<b>Configuration</b>	<b>Left</b>	<b>Right</b>
Tower 000925 - upper holes (14 or more exposed below clamp)	B	A
Tower 000925 - lower holes (13 or fewer holes exposed below clamp)	A	B
Tower 000926 (all hole locations)	A	B



Tower 000925 - Upper Holes



Tower 000925 - Lower Holes



Tower 000926 - All Holes

<b>Arc</b>		
<b>Configuration</b>	<b>Left</b>	<b>Right</b>
All	B	A

