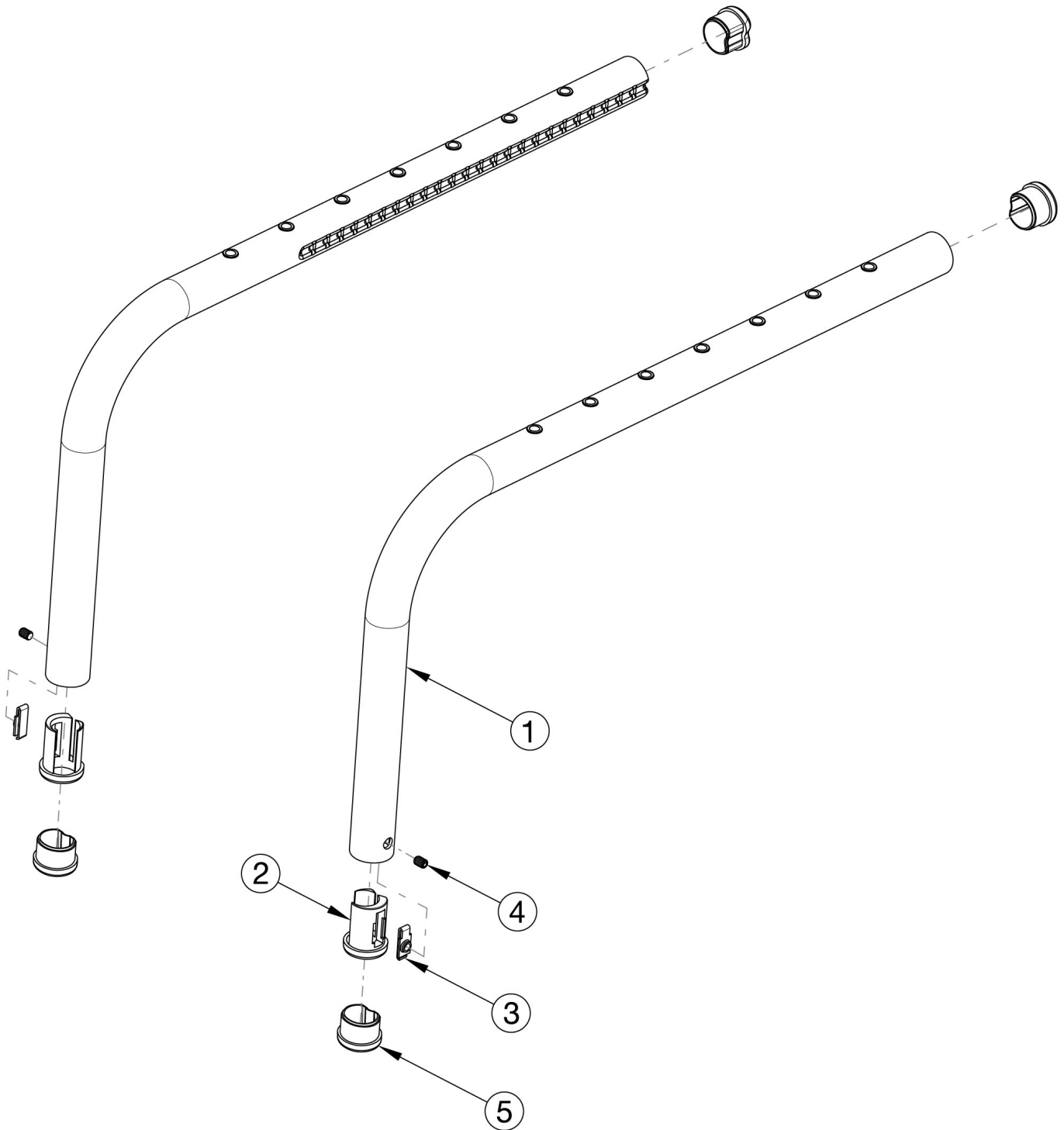


Clik Side Frame



This design effective starting with serial numbers CLK005270. Drilled Clik Side Frames effective April 13, 2018. Replacement side frames may be quoted, but must be ordered through Customer Service. Serial number required upon order. Item numbers 2-4 are only needed when footrest is not high mounted and these parts are included with replacement side frames if footrest is not high mounted. If quoting a Left Frame for Australia or New Zealand, 122921 is required when transit is not present.

Item Number	Part Number	Description	Quantity
2-4	506824	Frame Inserted Footrest Hardware Kit, Pair, Klik	1
2a	002797	Footrest Insert Right	1
2b	002799	Footrest Insert Left	1
3	002798	Footrest Screw Plate	2
4	102090	M6 Set Screw Flat Point	2
5	002791	Seat Tube End Cap <i>Use quantity 4 with high-mounted footrests</i>	2
	122921	Not AS/NZS 3696.19 Compliant On-Chair Label with Instruction	1