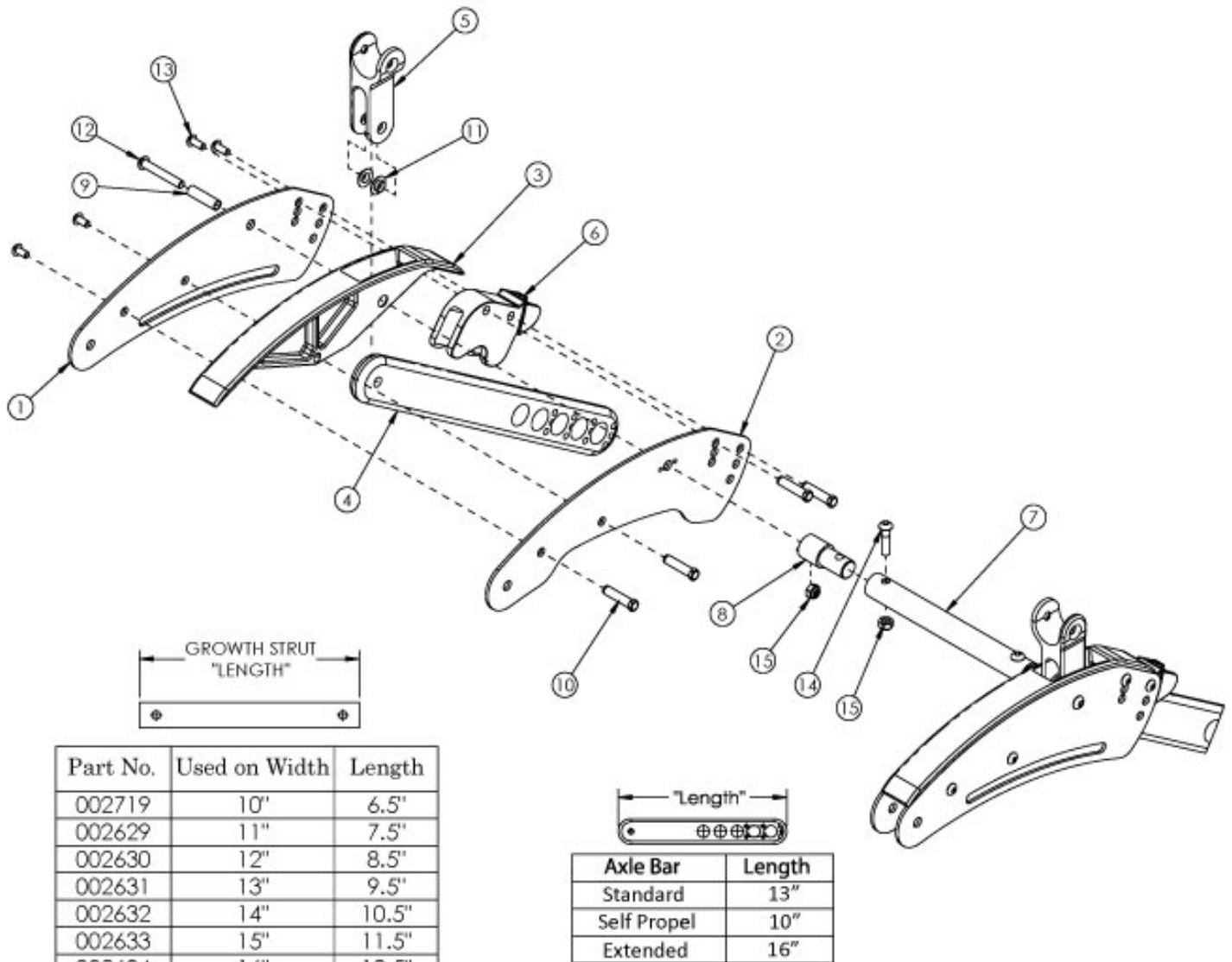


Flip Base Frame



Please Note: The color for the Base Frame Assemblies and Frame Plates is the "Accent Color" for the Flip. If quoting a Right Frame for Australia or New Zealand, 122921 is required when transit is not present.

Item Number	Part Number	Description	Quantity
1, 2a, 3, 4a, 5, 6, 8-15	502791_ _ _	Base Frame Assembly Std, Right <i>Not available with the Reclining Backrest</i>	1
1, 2b, 3, 4a, 5, 6, 8-15	502792_ _ _	Base Frame Assembly Std, Left <i>Not available with the Reclining Backrest</i>	1
1, 2a, 3, 4b, 5, 6, 8-15	502793_ _ _	Base Frame Assembly Self Propel, Right <i>Not available with the Reclining Backrest</i>	1

Item Number	Part Number	Description	Quantity
1, 2b, 3, 4b, 5, 6, 8-15	502794_ _ _	Base Frame Assembly Self Propel, Left <i>Not available with the Reclining Backrest</i>	1
1, 2a, 3, 4c, 5, 6, 8-15	107743_ _ _	Base Frame Assembly, Extended, Right <i>Used with the reclining backrest</i>	1
1, 2b, 3, 4c, 5, 6, 8-15	107744_ _ _	Base Frame Assembly, Extended, Left <i>Used with the reclining backrest</i>	1
1	001818_ _ _	Frame Plate, Outer	2
2a	002624_ _ _	Frame Plate, Right Inner, FLIP	1
2b	003240_ _ _	Frame Plate, Left Inner, FLIP	1
3	001819	Cover, Frame Plate	2
4a	001838	Axle Bar, Standard	2
4b	001839	Axle Bar, Self Propel	2
4c	003838	Axle Bar, Extended <i>Used with the reclining backrest</i>	2
5	001878	Tilt Yoke	2
6	001837	Saddle, Axle Bar	2
7a	002719	Frame Growth Strut 6.5"	1
7b	002629	Frame Growth Strut 7.5"	1
7c	002630	Frame Growth Strut 8.5"	1
7d	002631	Frame Growth Strut 9.5"	1
7e	002632	Frame Growth Strut 10.5"	1
7f	002633	Frame Growth Strut 11.5"	1
7g	002634	Frame Growth Strut 12.5"	1
7h	002635	Frame Growth Strut 13.5"	1
7i	002636	Frame Growth Strut 14.5"	1
8	002626	Strut Mount, Rear	2
9	001820	Spacer, Frame	2
10	000987	Threaded Fastener	8
11	102786	Iglide Flange Bushing	4

Item Number	Part Number	Description	Quantity
12	100670	M6 x 45 BTN SHCS BLK ZC	2
13	100669	M5 x 10 BTN SHCS BLKZC w/Patch	8
14	102792	M6 x 25, HHCS, Blk Zn	2
15	100658	M6 Nylock Nut Blk Zn	4
	122921	Not AS/NZS 3696.19 Compliant On-Chair Label with Instruction	1

Matte Finish	
Code	Color Name
CGM	Charcoal Gray
EGM	Emerald Green
GGM	Graphite Gray*
IBM	Iridescent Burgundy
INM	Iridescent Navy
AGM	Military Green**
RRM	Retro Red
RBM	Royal Blue
SBM	Shadow Black
SWM	Smooth White

* Discontinued Color

** Formerly called Army Green

Gloss Finish	
Code	Color Name
BLK	Black
BLU	Blue
SKY	Blue Skies
BRO	Bright Orange*
PNK	Bubblegum Pink
BUR	Burgundy*
CBL	Candy Blue
PUR	Candy Purple
RED	Candy Red
COP	Copper
DPR	Deep Purple*
EBL	Electric Blue*
GRN	Forest Green*
FUS	Fuchsia*
GSM	Granny Smith
MTF	Metallic Fuchsia*
MOR	Metallic Orange
ORG	Orange*
SAP	Sapphire*
SIL	Silver
TEA	Teal
YLW	Yellow
FLM	Graphic Image Transfer