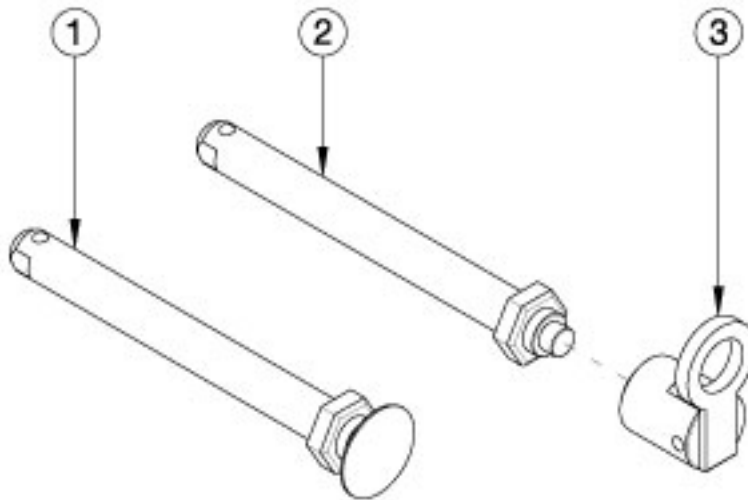


# Ethos Axles



| Item Number | Part Number | Description   | Quantity |
|-------------|-------------|---|----------|
| 1a          | 101108      | Axle Quick Release w/ Button 1/2" x 99MM                      | 1        |
| 1b          | 101182      | Axle Quick Release w/ Button 1/2" x 104MM                     | 1        |
| 1c          | 101191      | Axle Quick Release w/ Button 1/2" x 110MM                     | 1        |
| 2a, 3       | 113966      | Axle Quick Release 1/2" x 99MM with Quad Quick Release Lever  | 1        |
| 2b, 3       | 113967      | Axle Quick Release 1/2" x 104MM with Quad Quick Release Lever | 1        |
| 2a          | 100755      | Axle Quick Release 1/2" x 99MM                                | 1        |
| 2b          | 100901      | Axle Quick Release 1/2" x 104MM                               | 1        |
| 3           | 100910      | Quad Quick Release Lever                                      | 1        |

# Ethos Axle Reference

| <b>Quick Release Axles</b>                                       |                 |
|--|-----------------|
| <b>Wheel</b>   | <b>Receiver</b> |
|  | <b>004179</b>   |
| <i>X Core Mag</i>  | 101191          |
| <i>MAXX Performance Spoke / MAXX Mag / Superlight / Spinergy</i> | 101108          |
| <i>Softwheel</i>   | 101182          |
| <i>Quad Quick Release – MAXX Performance Spoke / Superlight</i>  | 100755          |
| <i>Quad Quick Release – Softwheel</i>                            | 100901          |

| <b>Axle Part Numbers</b> |                          |
|--------------------------|--------------------------|
| <b>Push Pin Style</b>    | <b>Push Button Style</b> |
| 100755 (1/2" x 99mm)     | 101108 (1/2" x 99mm)     |
| 100901 (1/2" x 104mm)    | 101182 (1/2" x 104mm)    |
|                          | 101191 (1/2" x 110mm)    |

## **Ethos Axles and Receivers**

To find the appropriate axle, first establish the axle receiver according to the RECEIVERS section and then determine the axle using the AXLES section.

### **RECEIVERS**

Receiver: 004179

Description: Axle Sleeve 16mm x 1.0 x 2" Long

Used On: ALL Ethos

### **AXLES**

004179 Receivers

X Core Mag – 101191

MAXX Performance Spoke, MAXX Mag, Superlight, Spinergy wheels – 101108

Softwheel wheels - 101182

Quad Quick Release (MAXX Performance Spoke, Superlight wheels) – 100755

Quad Quick Release (Softwheel wheels) – 100901

# Quick Release Axle Measuring Guide

**To identify which axle you have:** Set your axle on the printed copy of this page (do not scale when printing) or take the measurement as shown and locate which overall dimension matches that of the axle you have.

**Note:** The overall length is not the same as the "useable length" which is the length used in the part description. Images of all axles are shown below.

