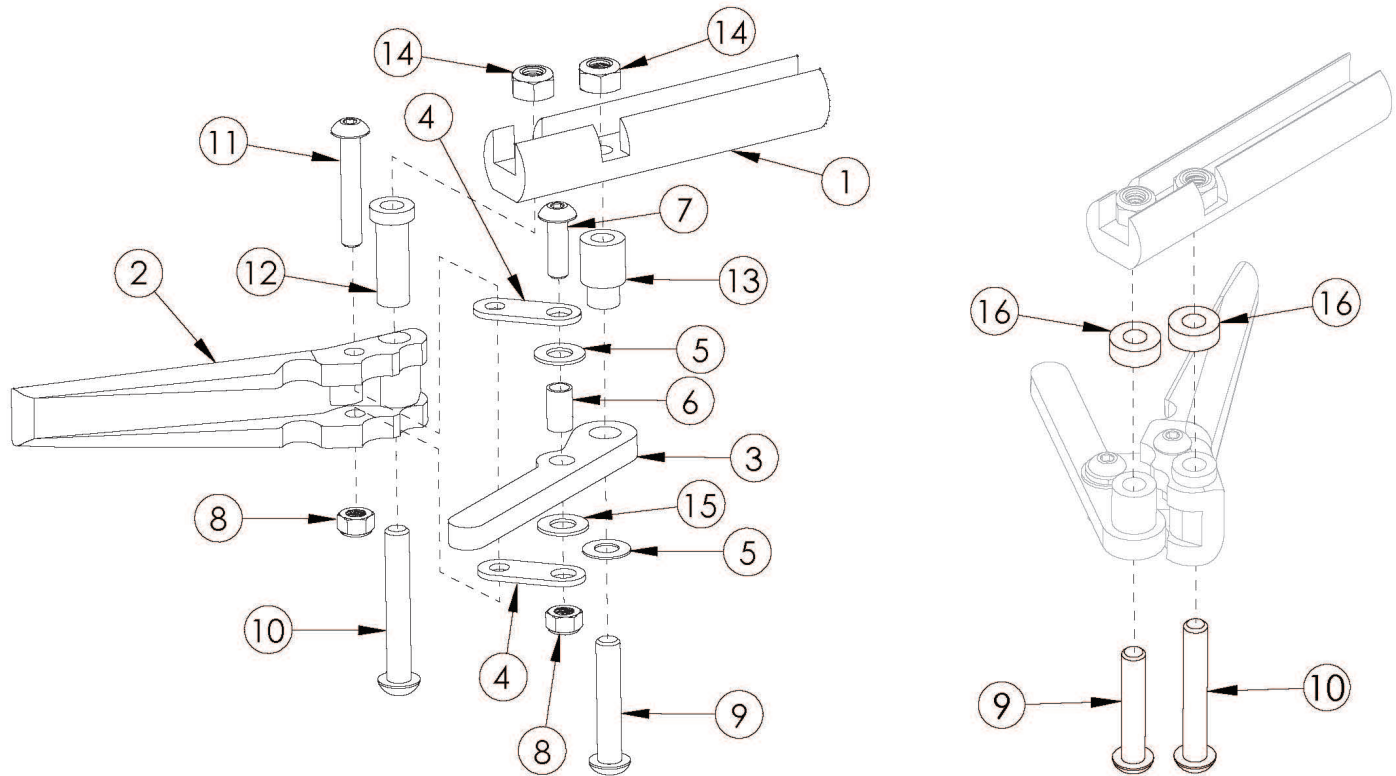


# **(Discontinued) Ethos Short Thro Scissor Wheel Lock**

Standard Configuration

Reversed Configuration



*If adding Wheel Locks to Ethos, new Front ISO Towers are required*

Item Number	Part Number	Description	Quantity
1a, 2 - 16	111357	Ethos Short Thro Scissor Wheel Lock Assembly with Instruction, Left <i>This kit contains a standard configuration wheel lock along with the hardware, spacers and instruction for reversing the wheel lock</i>	1
1b, 2 - 16	111358	Ethos Short Thro Scissor Wheel Lock Assembly with Instruction, Right <i>This kit contains a standard configuration wheel lock along with the hardware, spacers and instruction for reversing the wheel lock</i>	1
1a, 1b, 2 - 16	111359	Ethos Short Thro Scissor Wheel Lock Assembly with Instruction, PAIR	1
1a	000364L	Scissor Lock Mount Bar Left	1
1b	000364R	Scissor Lock Mount Bar Right	1
2	000365	Scissor Lock Handle	1
3	000366	Scissor Lock Brake Arm	1

Item Number	Part Number	Description	Quantity
4	000367	Scissor Lock Link	2
5	000369	Flat Washer .5 x .257 x .0032 Plastic	2
6	000368	Scissor Lock Bushing	1
7	101716	M5 x 16 SHCS Blk Zn	1
8	100657	M5 Nylock Nut Blk Zn	2
9a	101119	M6 X 32 BHCS bright <i>Used with standard configuration</i>	1
9b	100797	M6 x 40 BHCS BLK ZC <i>Used with reversed configuration</i>	1
10a	100797	M6 x 40 BHCS BLK ZC <i>Used with standard configuration</i>	1
10b	100670	M6 x 45 BTN SHCS BLK ZC <i>Used with reversed configuration</i>	1
11	101560	M5 x 30 BTN SHCS ZC	1
12	000370	Scissor Lock Pivot Bushing	1
13	000371	Scissor Lock Arm Bushing	1
14	100658	M6 Nylock Nut Blk Zn	2
16	105019	3/16" Plastic Spacer <i>Only used with reversed configuration</i>	2