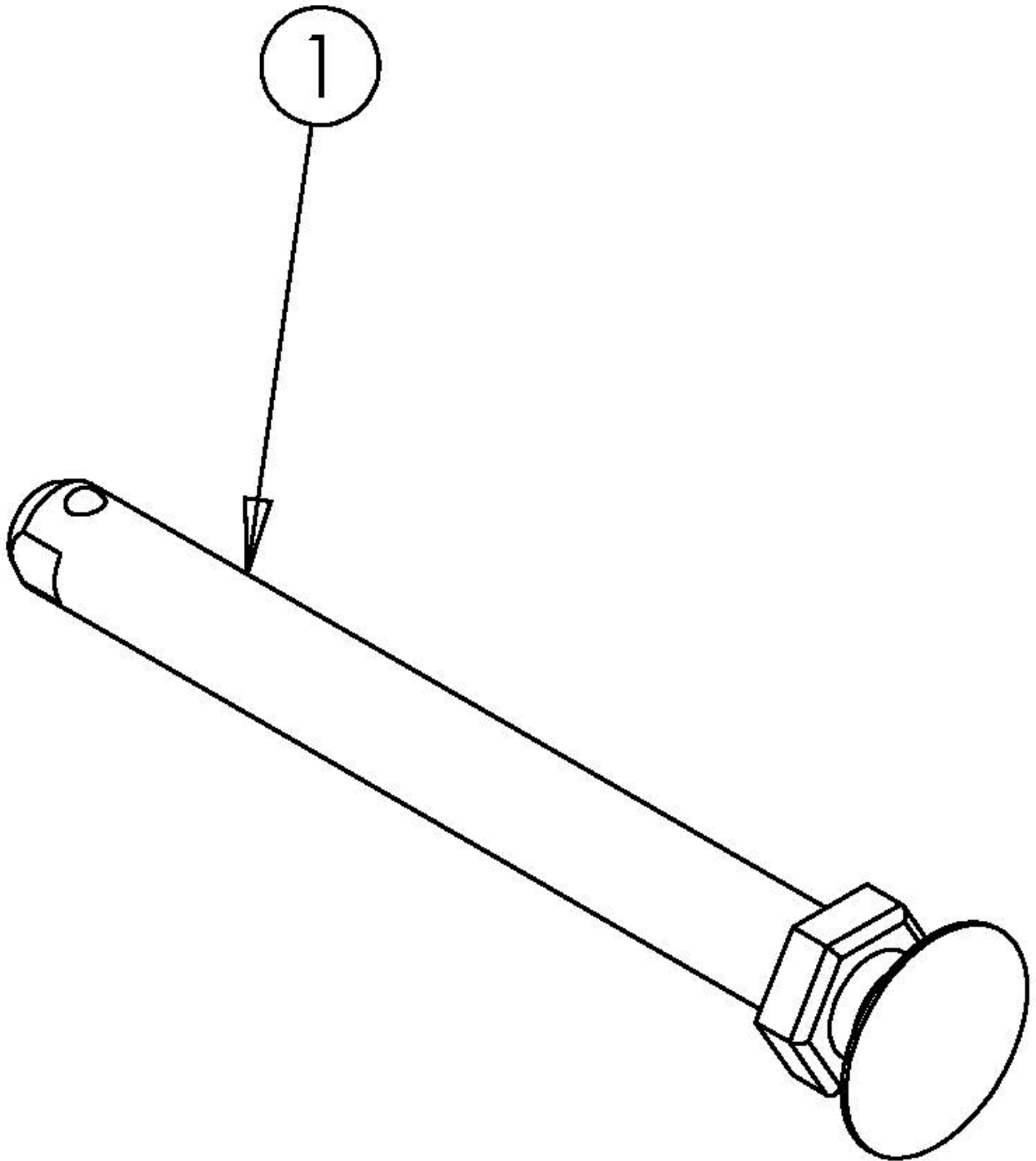


Flip for Leckey Axle



Utilizes Axle Sleeve 100756 (Reference parts manual page "Flip for Leckey Rear Frame").

| Item Number | Part Number | Description | Quantity |
|-------------|-------------|--|----------|
| 1 | 101108 | Axle Quick Release w/ Button 1/2" x 99MM | 1 |

To identify which axle you have: Set your axle on the printed copy of this page (do not scale when printing) or take the measurement as shown and locate which overall dimension matches that of the axle you have. Note: the overall length is not the same as the “useable length” which is the length used in the part description. Images of all axles are shown below.

