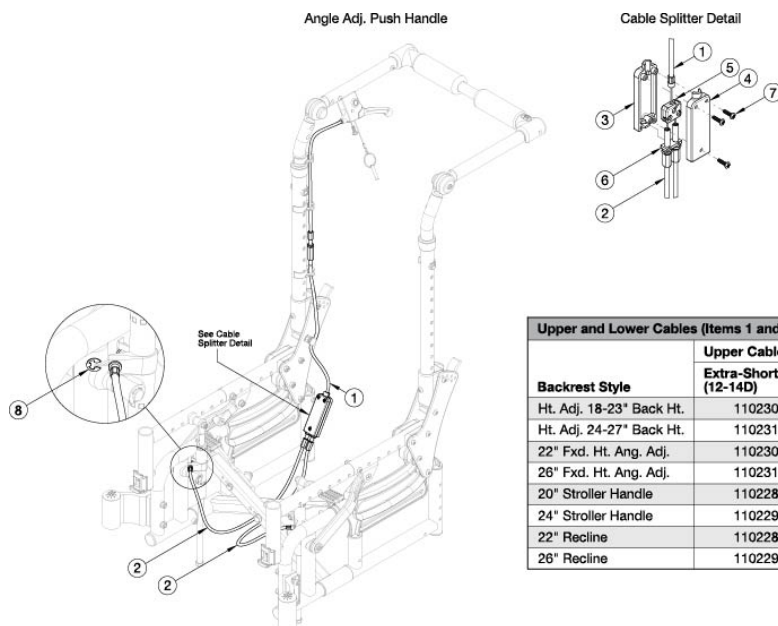


Arc Single Hand Tilt Mechanism - Growth



- BOM
 1 - 110228, 110229, 110230, 110231, 110232
 2 - 110217, 110218, 110219, 110220, 110221
 3 - 110233
 4 - 110234
 5 - 110235
 6 - 110226
 7 - 110288
 8 - 102822

Upper and Lower Cables (Items 1 and 2)				
Backrest Style	Upper Cable (Item 1)		Lower Cables (Item 2)	
	Extra-Short (12-14D)	Short, Medium, and Long (15-20D)	Extra-Short (12-14D)	Short, Medium, and Long (15-20D)
Ht. Adj. 18-23" Back Ht.	110230	110231	113005	113006
Ht. Adj. 24-27" Back Ht.	110231	110232	113005	113006
22" Fxd. Ht. Ang. Adj.	110230	110231	113005	113006
26" Fxd. Ht. Ang. Adj.	110231	110232	113005	113006
20" Stroller Handle	110228	110229	113005	113006
24" Stroller Handle	110229	110230	113005	113006
22" Recline	110228	110229	113005	113006
26" Recline	110229	110230	113005	113006

Is your depth changing? Will your existing tilt cables achieve your new depth? If no, please select the appropriate tilt cables based off your new configuration on the table above. Please note kits 113005 and 113006 contain two cables and two e-rings.

Item Number	Part Number	Description	Quantity
1a	110228	Cable, Splitter, Upper, Short	1
1b	110229	Cable, Splitter, Upper, Medium	1
1c	110230	Cable, Splitter, Upper, Long	1
1d	110231	Cable, Splitter, Upper, Extra Long	1
1e	110232	Cable, Splitter, Upper, Extra Extra Long	1
2a, 8	113005	Cable, Tilt, Split, Medium, Arc	1
2b, 8	113006	Cable, Tilt, Split, Long, Arc	1
3-7	113009	Cable Splitter Assembly, Arc	1
8	102822	E-Ring, M6, YZ	1