

TiLite Aero T Order Form

Effective Jan 2025 (New Items in Red)

DUAL-TUBE RIGID FRAME

Page 1 of 8

| DEALER INFORMATION | | RTS INFORMATION | |
|---------------------|--------------|---------------------|-------------|
| Dealer: | Account #: | RTS: | Phone: |
| PO: | Ordered By: | Email: | |
| Email: | | SHIP TO INFORMATION | |
| Mark For: | User Weight: | Name: | Ship Via: |
| TiLite Sales Rep: | | Address: | |
| TiLite Information: | Promo Code: | City: | State: Zip: |
| Ship Date: | Order #: | Phone: | Fax: |

More options and frame modifications may be available through our Creative Mobility Division! Please contact customer service for details or [click here](#) to view options.

Please Email or Fax to the Permobil Manual Customer Experience Team at tilitesales@permobil.com or 509.586.2413



FRAME STYLE

- ATFS1 **Aero T Aluminum Frame** (Full Adjustability. 265 Pound Weight Limit. For Rear Seat Width A and Seat Depth B of 15" or greater, use K0005. For Rear Seat Width A and Seat Depth B of less than 15", use E1235.).....\$3,191 K0005, E1235
- TAFS1 **TRA Titanium Frame** (Full Adjustability. 265 Pound Weight Limit. For Rear Seat Width A and Seat Depth B of 15" or greater, use K0005. For Rear Seat Width A and Seat Depth B of less than 15", use E1235.).....\$1,568
- TRFS1 **TR Titanium Frame Ultimate TiFIT** (Minimal Adjustability. 265 Pound Weight Limit. For Rear Seat Width A and Seat Depth B of 15" or greater, use K0005. For Rear Seat Width A and Seat Depth B of less than 15", use E1235.).....\$281

SMARTDRIVE POWER ASSIST SYSTEM



- AETMAXSD1 **Permobil SmartDrive MX2+*** (Not available with rear seat heights less than 13.5").....\$7,529 E0986
- AETMAXSD16 **NEW** SpeedControl Dial AETMAXSD17 Extended Mount **OR** AETMAXSD18 SwitchControl Buttons.....NCO
- AETMAXSD8 SwitchControl Button with Mono Jack Option.....\$159
- AETMAXSD19 **NEW** Buddy Button.....\$262
- AETMAXSD4 Carrying Bag.....\$84
- AETMAXSD10 Universal Padded Handle.....\$22

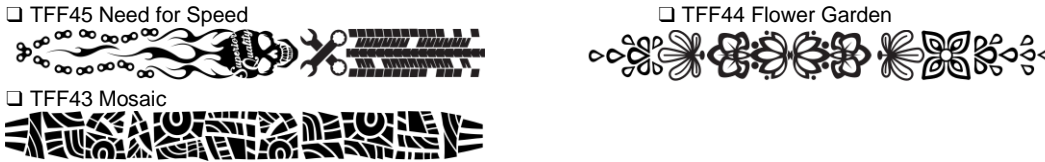
*SmartDrive apps available on Apple App Store and Google Play Store for Apple Watch Series 5 or newer and Samsung Galaxy Watch 4 or newer.

FRAME STYLE

- THDR1 **Heavy Duty Frame** (Not Available with TR Titanium Frame. 350 Pound Weight Limit. Requires Tension Adjustable by Straps Back Upholstery. Requires Folding Aluminum Adjustable Height Backrest, Billet Aluminum Front Wheels, Shadow or Spinergy SPOX Rear Wheels. LX Rear Wheels only available with 0 or 2 degree camber, Slipstream Fork, Velcro Adjustable Upholstery, or Glide™ Forks.).....NCO
- TQST1 **Q'Straint Adaptable Frame** (Not Available with TR Titanium Frame. 350 Pound Weight Limit. Requires Tension Adjustable by Straps Back Upholstery. Requires Folding Aluminum Adjustable Height Backrest, Billet Aluminum Front Wheels, Shadow or Spinergy SPOX Rear Wheels. LX Rear Wheels. only available with 0 or 2 degree camber. Not available with Slipstream Fork, Velcro Adjustable Upholstery, Open Loop Footrest, V-Front Taper or Glide™ Forks.).....NCO
- TPWR1 **Power Adaptable Frame** (Requires LiteSpeed Billet Aluminum Front Wheels and 0 degree camber. Not available with Single-sided Forks, or Titanium Camber Tubes. Not required for SmartDrive.).....NCO
- TRFR1 **Reinforced Frame**.....NCO

FRAME FINISHES

- TFF1 Satin (Available with Titanium Frame only.).....STD
- SCBT1 Satin Finish Buffing Pads.....\$22
- TFF3 **Tattooed Titanium™** (Tattoos on front frame tubes. Titanium frame finished in Satin. Tattoos will be trimmed and adjusted to fit your frame.).....\$363



- High Gloss Paint TFF8 High Gloss Black TFF10 TiLite Red TFF29 Neon Pink
- Metallic Paint TFF14 Ocean Blue Metallic TFF15 Tangerine Metallic TFF30 Acid Green Metallic
- Pearlescent Paint TFF17 Midnight Blue Pearl TFF18 White Pearl
- Matte Paint TFF19 Black Lava TFF27 Titanium Grey
- Candy Paint TFF22 Ruby Red TFF23 Azure Blue TFF25 Electric Plum
- Matte Textured Paint TFF40 Hyper Blue TFF41 Flame Orange TFF42 OD Green.....STD

COLOR ANODIZE PACKAGE

(Color Anodize Package includes: Caster Mount, Caster Fork, and Caster Caps. If no anodize color is selected, the default will be black.)

- TANO1 Black.....STD
- TAN12 Gold TAN15 Green TAN13 Purple TAN14 Orange TAN10 Blue TAN11 Red.....\$71



Permobil.com
2701 West Court Street / Pasco, Washington 99301
Tel 800 736 0925 or Email tilitesales@permobil.com

TiLite Aero T Order Form

TiFit: TAILORED INDIVIDUALIZED FRAME

Measurements shown below are our most popular selections. **Not seeing what you want?** Contact customer service or visit our Creative Mobility Division (CMD) catalog [here](#) to view additional options.

REAR SEAT WIDTH A Measure from outside of seat tube at back post to the outside of the opposite seat tube at back post.

- TSW1 12" 13" 14" 15" 16" 17" 18" 19" **STD**
 ZSW2 20" (HCPCS code only applies to 20" Rear Seat Width ; > 20" size avail. through CMD).....\$536 E2201

FRONT SEAT WIDTH (SEAT TAPER) T Measure from inside of front frame tube to inside of opposite front frame tube. (Required with V-Front End V. Not Available with Standard Front End I.)

- TFSW1 No Taper..... **STD**
 TFSW2 1" Taper (3" Narrower than Rear Seat Width A. Includes Tension Adjustable by Straps Seat Upholstery.).....\$304
 TFSW4 2" Taper (4" Narrower than Rear Seat Width A. Includes Tension Adjustable by Straps Seat Upholstery.).....\$304

SEAT DEPTH B Measure from front of back post to the front edge of seat sling. Frame bend will start .5" in front of seat sling unless Custom Frame Depth is specified, or the combination of specifications affect the rolling dynamics of the chair.

- TSD1 12" 13" 14" 15" 16" 17" 18" 19"**STD**
 TSD2 20"\$568 E2203
 TSD3 Custom Frame Depth: _____" Frame Depth Longer or Shorter Than Seat Depth (Measure from front of seat sling to beginning of frame bend. Ranges from 0.5" to 2" and can be given as specific as 1/4" increments. A Custom Frame Depth outside specified range may be available through our Creative Mobility Division. A Custom Frame Depth of 20" will have an additional charge)**NCO**

ERGONOMIC SEAT U Measure from front of back post to beginning of upward bend of seat tube.

- TERG1 TR Ergonomic Seat (Not available with Tension Adjustable Bolt On Seat Upholstery)
 5" 6" 7" 8" 9" **\$369**
 TERG2 Aero T and TRA Ergonomic Seat (Not available with V-Front or Seat Taper, Seat Back that Locks When Folded, Desk Arms, Depth Adjustable Backrests, Fold Down Rigid Sideguards, Fendered Adjustable Sideguards, Solid Seat, Tension Adjustable Bolt-On Seat Upholstery, or the Curve cushion.)
 6" (Minimum Seat Depth B 12") 7" (Minimum Seat Depth B 12")
 8" (Minimum Seat Depth B 13") **\$433**

FRONT SEAT HEIGHT C Measure from floor to top of seat tube at front edge of seat sling.

- TFSH1 15" 15.5" 16" 16.5" 17" 17.5" 18" 18.5" 19" 19.5"
 20" 20.5" 21" **STD**

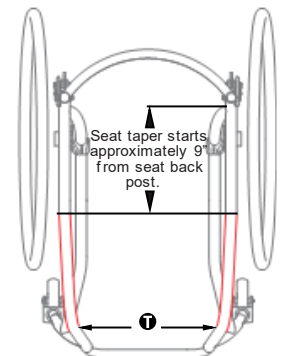
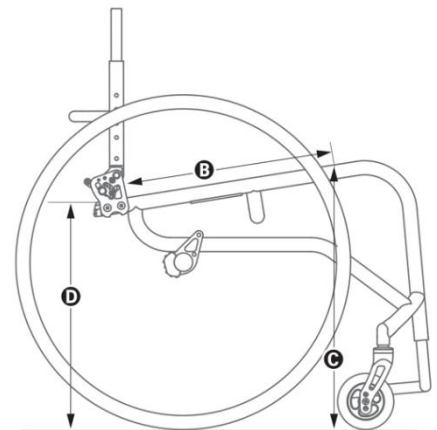
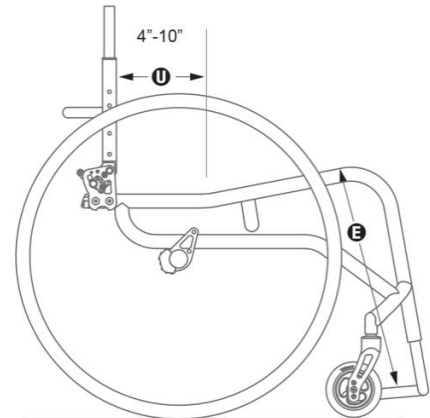
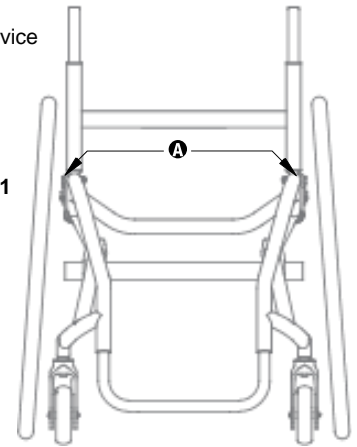
REAR SEAT HEIGHT D Measure from floor to top of seat tube at back post.

| Rear Wheel Size | Rear Seat Height |
|-----------------|------------------------|
| 20" | 12.5"-20" |
| 22" | 13.5"-20" |
| 24" | 14.5"-20" (15" on TRA) |
| 25" | 15.0"-20" |
| 26" | 15.5"-20" |

- TRSH1 12.5" 13" 13.5" 14" 14.5" 15" 15.5" 16" 16.5"
 17" 17.5" 18" 18.5" 19" 19.5" 20" **STD**

FRONT ANGLE or OVERALL FRAME LENGTH Select one. If Overall Frame Length is selected, front angle will be bent to achieve requested length.

- TFA1 70° 75° 80° 85° **L** Measure from frame front to floor. (Not available with 6" Front Wheels.) 90° (Not available with 5" or 6" Front Wheels.).....**STD**
 TFA2 Overall Frame Length **M** _____" Measure from front of backrest to Front Edge of Footrest. **NCO**



TiFit: TAILORED INDIVIDUALIZED FRAME

Measurements shown below are our most popular selections. **Not seeing what you want?** Contact customer service or visit our Creative Mobility Division (CMD) catalog [here](#) to view additional options.

SEAT TO FOOTREST E Measure from front edge of seat sling to top rear of footrest.

- Standard Footrests** Measurement must be at least 2" shorter than Front Seat Height C.
 13.5" 14" 14.5" 15" 15.5" 16" 16.5" 17" 17.5" 18"
 18.5" 19"

TiLite Aero T Order Form

- TFTR3 Angle Adjustable Footrest..... **STD**
- TFTR1 Titanium Footrest w/Flat ABS Cover..... **\$217**
- TFTR2 Titanium Open Loop Footrest..... **\$277**
- ZFTR12 Angle Adjustable Flip-Back Footrest (Not available with 10" or 11" Rear Seat Width A, Heavy Duty Frame, or ABS Cover with 2" Sides)..... **\$244 K0040**
- High Mount Footrest**
- 7"-9" 9"-11" 11"-13" Set at _____ (Use 1/2" increments)
- TFTR4 Angle Adjustable High Mount Footrest..... **\$109 K0040**

Custom Two-Piece Flip Up Footplates CMD 040. Please visit our CMD catalogue and specify footrest type and rigidizer bar placement in the Notes section of this order form. Some limitations may apply.

FOOTREST WIDTH I or **V** Select either a Standard Front End **I** if no Seat Taper **T** is selected or a V-Front End **V** if a Seat Taper **T** is selected.

STANDARD FRONT END I Find your Rear Seat Width A in the Chart below and select one of the options to the right. Measure from inside of front frame tube to inside of opposite front frame tube.

- TFE1 **NO V-Front Taper**..... **STD**

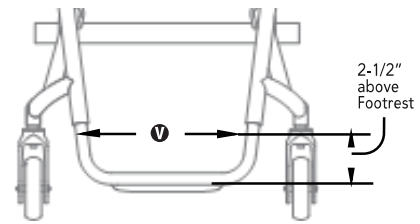
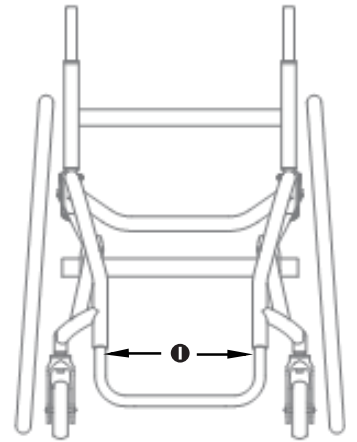
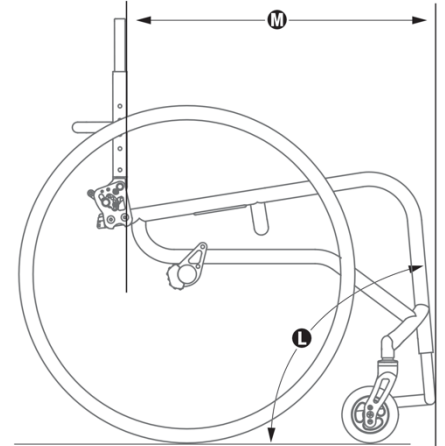
| REAR SEAT WIDTH A (Outside Measurement) | FOOTREST WIDTH I | | |
|--|--|--|--|
| | No Taper (2" Narrower than Rear Seat Width) | 2" Taper (4" Narrower than Rear Seat Width) | 4" Taper (6" Narrower than Rear Seat Width) |
| 12" | <input type="checkbox"/> 10" | <input type="checkbox"/> 8" | |
| 13" | <input type="checkbox"/> 11" | <input type="checkbox"/> 9" | |
| 14" | <input type="checkbox"/> 12" | <input type="checkbox"/> 10" | <input type="checkbox"/> 8" |
| 15" | <input type="checkbox"/> 13" | <input type="checkbox"/> 11" | <input type="checkbox"/> 9" |
| 16" | <input type="checkbox"/> 14" | <input type="checkbox"/> 12" | <input type="checkbox"/> 10" |
| 17" | <input type="checkbox"/> 15" | <input type="checkbox"/> 13" | <input type="checkbox"/> 11" |
| 18" | <input type="checkbox"/> 16" | <input type="checkbox"/> 14" | <input type="checkbox"/> 12" |
| 19" | <input type="checkbox"/> 17" | <input type="checkbox"/> 15" | <input type="checkbox"/> 13" |
| 20" | <input type="checkbox"/> 18" | <input type="checkbox"/> 16" | <input type="checkbox"/> 14" |

OR

V-FRONT END V Measure from inside of front frame tube to inside of opposite front frame tube 2-1/2" above footrest. (Titanium Footrests have 1" of adjustment up and down. Not available with Ergonomic Seat frames.)

- TFE2 V-Front Taper..... **\$315**
- 9" 10" 11" 12" 13" 14" 15"

Custom Abducted Front Frame Width CMD 008. (Adapted Footrest and/or Front Seat Width. Please specify desired front seat width and desired footrest width to the nearest 1/2" in the Notes section. Some limitations may apply.)



BACK SUPPORTS

ROHO® AGILITY® ACTIVE ALUMINUM Contour Back Support

Shell Height 8" 10"

- SBRS14 AGILITY Active Aluminum Min Contour with Foam..... **\$738 E2620**
- SBRS15 AGILITY Active Aluminum Mid Contour with Foam..... **\$738 E2620**

ROHO® AGILITY® ACTIVE CARBON Contour Back Support (2x2 Twill Weave Carbon Fiber)

Shell Height 10" 13" 16"

- AGILITY Carbon Min Contour Back with Foam w/ Air Insert
- SBRS7 Foam w/ Air Insert..... **\$738 E2620**
- ACB1 AGILITY Active Carbon Upgrade (Not available with Bolt-on Push Handles)..... **\$464**
- Fixed Hardware (Not available with 18" Shell Height or Folding Chairs.)..... **NCO**

- AGILITY Carbon Mid Contour Back with Foam w/ Air Insert
- SBRS9 Foam w/ Air Insert..... **\$738 E2620**
- ACB2 AGILITY Active Carbon Upgrade (Not available with Bolt-on Push Handles)..... **\$464**
- Fixed Hardware (Not available with 18" Shell Height or Folding Chairs.)..... **NCO**

COMFORT ACTA-EMBRACE® Back Support

Shell Height 10" 12" 14" 16"

- SBRS16 Acta-Embrace Back with 2-PT Quick Release Compass Hardware..... **\$642 E2613**
- CPSB1 Comfort Privacy Shield..... **\$44**

TiLite Aero T Order Form

COMFORT ACTA-RELIEF Back Support

Shell Height 10" 12" 14" 16"

- SBR513 Acta-Relief Back with 2-PT Quick Release Compass Hardware.....\$846 E2615
 CPSB1 Comfort Privacy Shield.....\$44

BACK UPHOLSTERY (Want more seating options? [Click here](#) to view the new TiLite Seating Order Form.)

TBUP2 Velcro Adjustable (Not available with Fold-Down Push Handles.).....STD

Tension Adjustable by Straps (Required with Fold-Down Push Handles.)

- TBUP3 Padded Nylon.....\$369 E2611
 TBUP5 AIR Breathable Upholstery (Not available with Ultrasuede Backrest Stripe.).....\$369 E2611
 TUPC3 Ultrasuede Backrest Stripe Black.....\$115
 TBUP0 Omit Back Upholstery.....NCO

TiFit: TAILORED INDIVIDUALIZED FRAME

Options shown below are our most popular selections. **Not seeing what you want?** Contact customer service or visit our Creative Mobility Division (CMD) catalog [here](#) to view additional options.

SEAT BACK TYPE/PUSH HANDLES/SEAT BACK HEIGHT F Measure from top of back post to top of seat tube at rear of frame.

- TSB1 Folding Aluminum Adjustable Height Back (Required for Heavy Duty Frame.).....STD
 TSB2 Folding Titanium Adjustable Height Back and Rounded Rigidizer Bar (Titanium back will match Frame Finish.).....\$277
 TSB15 Non-Folding, Fixed Height Titanium with Rounded Rigidizer Bar (Not Available with Aero T or TRA. Titanium back will match Frame Finish. Not available with Push Handles.).....\$315

PUSH HANDLES

- TSB6 Integrated Push Handles.....NCO
 TSB7 Integrated Fold-Down Push Handles (Requires Tension Adjustable by Straps Back Upholstery.).....\$125
 TSB8 Bolt-On Push Handles (Includes 4" Deep Backrest Rigidizer).....\$217
 TSB9 Bolt-On Height-Adjustable Push Handles (Includes 4" Deep Backrest Rigidizer Bar.).....\$363

AVAILABLE ON ALL BACKS

- TSB11 Backrest that Locks when Folded (Not available with Ergonomic Seat.).....STD
 TSB12 4" Deep Backrest Rigidizer Bar (Not available with a Non-Folding, Fixed Height Titanium Seat Back Type. 4" Deep Rigidizer Bar is NOT a rounded style rigidizer bar.).....NCO

TISHAFT™ BACK RELEASE BARS (Not available with Non-Folding, Fixed Height Titanium Back.)

- TSB3 Aluminum STD
 TSB5 2x2 Twill Weave Carbon Fiber.....\$82

FOLDING SEAT BACK HEIGHT F (TSB1 and TSB2)

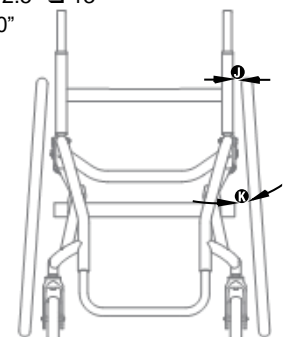
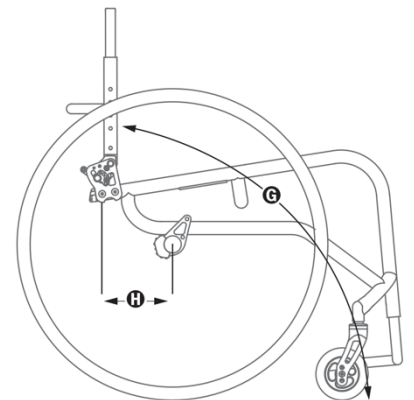
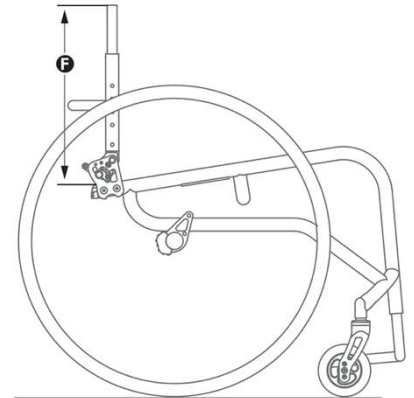
| Push Handles (Selected Above) | Short | Medium | Tall | Set at: (Use ½" increments) |
|----------------------------------|--------------------------------------|--------------------------------------|--------------------------------------|--------------------------------|
| None/ Bolt-On | <input type="checkbox"/> 8.5"-11.5" | <input type="checkbox"/> 12"-16.5" | <input type="checkbox"/> 16"-20.5" | Set at: |
| Integrated | <input type="checkbox"/> 10.5"-12.5" | <input type="checkbox"/> 13.5"-16.5" | <input type="checkbox"/> 17.5"-20.5" | Set at: |
| Integrated Fold-Down | <input type="checkbox"/> 13"-15.5" | <input type="checkbox"/> 14"-18.5" | <input type="checkbox"/> 18.5"-21" | Set at: |

NON-FOLDING, FIXED-HEIGHT F TITANIUM SEAT BACK with Rounded Rigidizer Bar (TSB15) (Not Available with Aero T or TRA. Titanium back will match Frame Finish. Required for fixed Side Guards. Not available with Swing Away Tubular or Swing Away - Flip Back Tubular Armrests and Integrated Push Handles, Integrated Fold-Down Push Handles)

- 5" 5.5" 6" 6.5" 7" 7.5" 8" 8.5" 9" 9.5" 10" 10.5" 11" 11.5" 12" 12.5" 13" 13.5" 14" 14.5" 15" 15.5" 16" 16.5" 17" 17.5" 18" 18.5" 19" 19.5" 20"

SEAT BACK ANGLE G Measure angle from front of back post to floor.

- ZSBA1 **Folding Back**
 80° 83° 86° 89° 92° 95° 98° 101°.....STD
 ZSBA1 **Non-Folding Back**
 80° 81° 82° 83° 84° 85° 86° 87° 88° 89° 90° 91° 92° 93° 94° 95° 96° 97° 98° 99° 100° 101° NCO



TiLite Aero T Order Form

CENTER OF GRAVITY H Measure from front of back post at the seat tube to the center of the rear axle. If no center of gravity is selected, chair will ship with the center of gravity in the rearward-most position.

- TCOG1 1" 1.25" 1.5" 1.75" 2" 2.25" 2.5" 2.75" 3" 3.25" 3.5" 3.75" 4" 4.25" 4.5" 4.75" 5"STD

REAR WHEEL SPACING J/PLUGS Measure from outside of seat back post to inside of rear tire. ZRA 0.75" Rear Wheel Spacing not available with 0° or 2° Camber K. Ergonomic Seat selection may limit available center of gravity.

- ZRWS1 .75" 1" 1.25"STD
 ZCBR12 Adjustable Rear Wheel Spacing Camber Plugs.....STD
 ZCBR9 Additional Spacers to Increase Rear Wheel Spacing.....NCO
 ZCBR11 Zero Play Aluminum Camber Plugs (Not available with Power Adaptable Frame or more than 6° of Camber K.).....NCO

SEAT UPHOLSTERY

- ZSUP1 Tension Adjustable Bolt On (Not available with Ergonomic Seat or Tapered Seat T. Black only.).....STD
 ZSUP2 Tension Adjustable by Straps (Standard with Ergonomic Seat and Front Seat Width (Seat Taper) T of 1", 2" or 3". Black upholstery only.).....\$201
 ZSUP8 Aluminum Solid Seat (Not available with 10" or 11" Rear Seat Width A.....\$309 **E2231**
 ZSUP0 Omit Seat.....NCO
 Custom iSleeve CMD 018. Please provide sleeve width and depth (in inches) in the Notes section at the end of this order form (add 1" to device depth and ¼" to width). Some limitations may apply.

SEAT CUSHION (Want more seating options? [Click here](#) to view the new TiLite Seating Order Form.)

- ZCSH2 Comfort Curve Cushion (Stretch-Air cover).....\$122 **E2601**
 ZCSH23 Comfort Acta-Embrace™ Comfort-Tek Zero Elevation Cushion.....\$428 **E2607**
 ZCSH11 ROHO® Single Compartment (Fits seat widths 14" to 19") Profile: Low Mid High.....\$534 **E2622**
 XCSH14 ROHO® QUADTRO SELECT® Cushion (Fits seat widths 14" to 19") Profile: Low Mid High.....\$534 **E2624**
 ZCSH16 ROHO® Hybrid Select (Fits seat widths 14" to 18", and 20").....\$571 **E2624**
 ZCSH17 Vicair Vector 02 with Comfair Cover (Fits seat widths A 14" to 19". Non-stock upcharges may apply.).....\$515 **E2624**

CAMBER K/CAMBER TUBES

- TCBR1 0° 2° 4° 6° (8° of Camber K may be available through our Creative Mobility Division.).....STD
 TCBR15 Aluminum Camber Tube.....STD
 TCBR3 Titanium Camber Tube (Not available with Power Adaptable Frame.).....\$217

CUSTOM CONFIGURATION OPTIONS

FRONT WHEELS

- TFW24 3"x1.5" LiteSpeed Billet Aluminum Wheel w/Soft Roll Tire Silver Hub **OR** Black Hub.....\$206
 TFW14 4"x.75" Plastic Wheel w/Poly Tire (Not available with Slipstream Fork or Power Adaptable Frame.).....NCO
 TFW3 4"x.75" Light-Up Micro-Caster (Not available with Slipstream Fork or Power Adaptable Frame.).....\$88
 TFW26 4"x1.5" LiteSpeed Plastic Wheel w/Soft Roll Tire (Not available with Power Assist, Power Add-on System or Heavy Duty Frame.).....\$112
 TFW27 4"x1.5" LiteSpeed Billet Aluminum Wheel w/Soft Roll Tire Silver Hub **OR** Black Hub.....\$217
 TFW6 5"x1" Plastic Wheel w/Poly Tire (Not available with 90° Front Angle L, Slipstream Fork or Power Adaptable Frame.).....NCO
 TFW28 5"x1.5" LiteSpeed Plastic Wheel w/Soft Roll Tire (Not available with 90° Front Angle L or Power Adaptable Frame.).....\$103
 TFW30 5"x1.5" LiteSpeed Billet Aluminum Wheel w/Soft Roll Tire Silver Hub **OR** Black Hub (Not available with 90° Front Angle L.).....\$233
 TFW9 6"x1" Plastic Wheel w/Poly Tire (Not available with 85° or 90° Front Angle L, Slipstream Fork or Power Adaptable Frame.).....NCO
 TFW32 6"x1.5" LiteSpeed Plastic Wheel w/Soft Roll Tire (Not available with 85° or 90° Front Angle L, Slipstream Fork or Power Adaptable Frame.).....\$119
 TFW33 6"x1.5" LiteSpeed Billet Aluminum Wheel w/Soft Roll Tire Silver Hub **OR** Black Hub (Not available with 85° or 90° Front Angle L or Slipstream Fork.).....\$244

PRECISION LOCK FRONT FORKS

- TFK1 TiLite Standard Fork.....STD
 TFK2 TiLite Slipstream Single-Sided Fork (Not available with Power Adaptable Frame.).....\$185
 TGL1 Glide™ Suspension Fork (Black anodize only.).....\$526 **E1015**
 Rider's Weight: 125 lbs. 125-180 lbs. 180-265 lbs.
 TTFS1 Titanium Fork Stem.....\$66

STANDARD REAR WHEELS (See Rear Seat Height Ranges Chart for Rear Seat Height D limitations.)

- TRW14 TiLite SHADOW™STD
 20"(451)
 22"(501)
 24"(540)
 25"(559) (Requires 15" minimum Seat Depth B.)
 26"(590) (Requires 15" minimum Seat Depth B.)

TiLite Aero T Order Form

PERFORMANCE REAR WHEELS (See Rear Seat Height Ranges Chart for Rear Seat Height D limitations.)

| | | |
|-------|---|----------------|
| TRW7 | Spinergy SPOX <input type="checkbox"/> Black <input type="checkbox"/> Red <input type="checkbox"/> Blue <input type="checkbox"/> White <input type="checkbox"/> Orange <input type="checkbox"/> Pink <input type="checkbox"/> Purple <input type="checkbox"/> Green (Orange, Pink, Purple and Green only available in 20" size.)..... | \$915 |
| | <input type="checkbox"/> 20"(451) - Std. Hub | |
| | <input type="checkbox"/> 22"(501) - Std. Hub | |
| | <input type="checkbox"/> 24"(540) - Std. Hub | |
| | <input type="checkbox"/> 25"(559) - Std. Hub (Requires 15" minimum Seat Depth B.) | |
| | <input type="checkbox"/> 26"(590) - Std. Hub (Requires 15" minimum Seat Depth B.) | |
| TRW8 | Spinergy LX <input type="checkbox"/> Black <input type="checkbox"/> Red <input type="checkbox"/> Blue <input type="checkbox"/> White <input type="checkbox"/> Bright Orange <input type="checkbox"/> Flamingo Pink <input type="checkbox"/> Purple <input type="checkbox"/> Green..... | \$1,148 |
| | <input type="checkbox"/> 22"(501) - Std. Hub | |
| | <input type="checkbox"/> 24"(540) - Std. Hub | |
| | <input type="checkbox"/> 25"(559) - Std. Hub (Requires 15" minimum Seat Depth B.) | |
| | <input type="checkbox"/> 26"(590) - Std. Hub (Requires 15" minimum Seat Depth B.) | |
| TRW9 | Spinergy Design Lab LX Wheels (If same color is selected, anodized hubs and rims match color anodized package on page 1. Available with black spokes only.) | |
| | <input type="checkbox"/> Gold Anodize <input type="checkbox"/> Green Anodize <input type="checkbox"/> Blue Anodize <input type="checkbox"/> Red Anodize <input type="checkbox"/> Purple Anodize <input type="checkbox"/> Orange Anodize..... | \$1,364 |
| | <input type="checkbox"/> 22"(501) - Std. Hub | |
| | <input type="checkbox"/> 24"(540) - Std. Hub | |
| | <input type="checkbox"/> 25"(559) - Std. Hub (Requires 15" minimum Seat Depth B.) | |
| | <input type="checkbox"/> 26"(590) - Std. Hub (Requires 15" minimum Seat Depth B.) | |
| TRW16 | Spinergy® Carbon Blade with 2x2 Twill Weave (Not available with Heavy Duty Frame.)..... | \$1,602 |
| | <input type="checkbox"/> 24"(540) | |
| | <input type="checkbox"/> 25"(559) (Requires 15" minimum Seat Depth B.) | |
| TRW17 | X-Core Mag (Not available with Heavy Duty Frame, Short Tabs, Quad Release Axles, Spoke Guards or Omit Handrims Option. Requires Aluminum Sliver Anodized Handrims.)..... | \$66 |
| | <input type="checkbox"/> 20"(451) | |
| | <input type="checkbox"/> 22"(501) | |
| | <input type="checkbox"/> 24"(540) | |

AXLES

| | | |
|-------|--|--------------|
| TAXL1 | <input type="checkbox"/> Stainless Quick Release..... | STD |
| TAXL2 | <input type="checkbox"/> Titanium Quick Release..... | \$277 |
| TAXL3 | <input type="checkbox"/> Quad Release (Not available with Mag or 26"(590) Spinergy Spox or LX Rear Wheels.)..... | \$169 |

PNEUMATIC REAR TIRES

| | | |
|--------|---|--------------|
| TRTR1 | <input type="checkbox"/> Treaded 22"(501), 24"(540), and 26"(590)..... | STD |
| TRTR2 | <input type="checkbox"/> Airless Inserts (Not available with Spinergy Carbon Blade Rear Wheels.)..... | \$98 |
| TRTR31 | <input type="checkbox"/> MBL SpeedLite 20"(451), 22"(501), 24"(540), 25"(559) and 26"(590)..... | STD |
| TRTR30 | <input type="checkbox"/> 24"(540), 25"(559) and 26"(590) Primo Sentinel..... | \$136 |
| TRTR8 | <input type="checkbox"/> 24"(540), 25"(559) and 26"(590) Schwalbe® Marathon Plus Evolution..... | \$152 |
| TRTR32 | <input type="checkbox"/> 24"(540) Primo C-763 Knobby..... | \$104 |

E2213

SOLID REAR TIRES (Not available with Spinergy Carbon Blade Rear Wheels.)

| | | |
|--------|---|--------------|
| TRTR22 | <input type="checkbox"/> 20"(451), 22"(501), 24"(540) and 25"(559) Primo Orion..... | \$120 |
| TRTR23 | <input type="checkbox"/> 24"(540) and 25"(559) Primo Active..... | \$147 |

HANDRIMS

| | | |
|--------|---|--------------|
| TRIM1 | <input type="checkbox"/> Aluminum – Silver Anodized..... | STD |
| TRIM21 | <input type="checkbox"/> Aluminum – Black Anodized..... | NCO |
| TRIM12 | <input type="checkbox"/> Titanium – Satin Finish (Not available with 20"(451) or 22"(501) Rear Wheels, or 24"(540) Knobby tires.)..... | \$509 |
| TRIM10 | <input type="checkbox"/> The Surge (All-In-One Oval with Gription™ Strip, Larger Profile) (Not available with 20"(451) Rear Wheels.)..... | \$433 |
| TRIM11 | <input type="checkbox"/> The Surge LT (All-In-One Oval with Gription™ Strip, Smaller Profile) (Not available with 20"(451) Rear Wheels.)..... | \$466 |
| TRIM20 | <input type="checkbox"/> Q-Grip (Exclusive High-Friction, Anti-Slip Coating) (Not available with 20"(451)Rear Wheels.)..... | \$358 |

The Natural-Fit® (Original, Larger Profile) (Not available with 20"(451) Rear Wheels.)

| | | |
|--------|---|--------------|
| TRIM14 | <input type="checkbox"/> Standard Grip (Not available with Short Tabs or Spinergy Carbon Blade Rear Wheels.)..... | \$428 |
| TRIM15 | <input type="checkbox"/> Super Grip (Not available with Short Tabs or Spinergy Carbon Blade Rear Wheels.)..... | \$466 |
| TRIM16 | <input type="checkbox"/> Without Thumb Grip..... | \$390 |

The Natural-Fit® LT (Reduced Weight, Smaller Profile) (Not available with 20"(451) Rear Wheels.)

| | | |
|--------|---|--------------|
| TRIM17 | <input type="checkbox"/> Standard Grip (Not available with Short Tabs or Spinergy Carbon Blade Rear Wheels.)..... | \$440 |
| TRIM18 | <input type="checkbox"/> Super Grip (Not available with Short Tabs or Spinergy Carbon Blade Rear Wheels.)..... | \$514 |
| TRIM19 | <input type="checkbox"/> Without Thumb Grip..... | \$423 |

Additional Handrim Options

| | | |
|--------|--|--------------|
| TRIM5 | <input type="checkbox"/> Plastic Coated – Black..... | \$174 |
| TRIM22 | <input type="checkbox"/> Omit Handrims..... | NCO |

Tab Length

| | | |
|-------|---|-------------|
| TRIM7 | <input type="checkbox"/> Long Tabs..... | STD |
| TRIM8 | <input type="checkbox"/> Short Tabs (Not available with Mag Rear Wheels or The Natural-Fit® Handrims with Thumb Grip.)..... | \$28 |

TiLite Aero T Order Form

WHEEL LOCKS

| | | | |
|--------|---|------|-------|
| TWLK7 | <input type="checkbox"/> Compact Composite Push to Lock (Available with .75" to 1.5" Rear Wheel Spacing) only.)..... | NCO | |
| TWLK8 | <input type="checkbox"/> Compact Composite Pull to Lock (Available with .75" to 1.5" Rear Wheel Spacing) only.)..... | NCO | |
| TWLK10 | <input type="checkbox"/> Extension Handles for Compact Composite Push/Pull to Lock..... | \$93 | E0961 |

Additional Wheel Locks

| | | | |
|--------|---|-------|-------|
| TWLK11 | <input type="checkbox"/> MBL Composite Scissor Lock..... | \$158 | |
| TWLK3 | Uni-Lock Set At: <input type="checkbox"/> Push OR <input type="checkbox"/> Pull..... | \$179 | |
| TWLK4 | <input type="checkbox"/> Extension Handles for Uni-Lock..... | \$93 | E0961 |
| TWLK15 | <input type="checkbox"/> Grade Aids Push to Lock (Not available with solid rear tires)..... | \$190 | E0974 |

CUSTOM CONFIGURATION OPTIONS

SIDE GUARDS

Aluminum

| | | | |
|-------|--|-------|--|
| TSDG2 | <input type="checkbox"/> Rigid Removable <input type="checkbox"/> Small OR <input type="checkbox"/> Std..... | \$217 | |
| TSDG3 | <input type="checkbox"/> Quad Removable w/Hole <input type="checkbox"/> Small OR <input type="checkbox"/> Std..... | \$233 | |
| TSDG4 | <input type="checkbox"/> Fold Down Rigid <input type="checkbox"/> Small OR <input type="checkbox"/> Std (Not available with Ergonomic Seat.)..... | \$363 | |
| TSDG6 | <input type="checkbox"/> Fendered Adjustable (Available with 24" and 25" Rear Wheels. Requires Rear Seat Height D of 14.5" to 18.5".....) | \$363 | |

2x2 Twill Weave Carbon Fiber

| | | | |
|--------|--|-------|--|
| TSDG7 | <input type="checkbox"/> Rigid Removable <input type="checkbox"/> Small OR <input type="checkbox"/> Std..... | \$336 | |
| TSDG8 | <input type="checkbox"/> Quad Removable w/Hole <input type="checkbox"/> Small OR <input type="checkbox"/> Std..... | \$347 | |
| TSDG9 | <input type="checkbox"/> Fold Down Rigid <input type="checkbox"/> Small OR <input type="checkbox"/> Std (Not available with Ergonomic Seat or Carbon Edition.)..... | \$499 | |
| TSDG12 | <input type="checkbox"/> Fendered Removable..... | \$493 | |

Available on Aluminum and Carbon Fiber Non-Fendered Side Guards

| | | | |
|--------|--|-------|--|
| TSDG13 | <input type="checkbox"/> Side Guards Custom Cut to Profile of Rear Wheels..... | \$342 | |
|--------|--|-------|--|

Custom Offset Profiled Sideguards (Removable or Fold-Down) CMD 007. Please specify desired offset to nearest $\pm\frac{1}{2}$ " (e.g., ± 0.50 ") and sideguard type (rigid or fold-down) in the Notes section of the order form. Sideguard material must be selected. Some limitations may apply.

ARMRESTS (Desk Arms come with built-in Side Guards.)

| | | | |
|-------|---|-------|-------|
| TARM1 | Swing Away Tubular <input type="checkbox"/> 6.5" to 9.5" OR <input type="checkbox"/> 9.5" to 12.5" (Not Available with Non-Folding, Fixed Height Titanium Seat Back or Height Adjustable Push Handles.)..... | \$244 | E0973 |
| TARM4 | <input type="checkbox"/> Swing Away - Flip Back Tubular 8.5" to 11.5" (Not Available with Non-Folding, Fixed Height Titanium Seat Back.)..... | \$342 | E0973 |
| TARM2 | Removable Height Adjustable Desk Arm with Rigid Side Guard (Requires 14" minimum Seat Depth B. Not available with Ergonomic Seat.)..... | \$363 | E0973 |
| | <input type="checkbox"/> 9" to 12" OR <input type="checkbox"/> 12" to 15" | | |
| | <input type="checkbox"/> Standard Length Pad (10") OR <input type="checkbox"/> Full Length Pad (14") | | |
| TARM3 | Removable Height Adjustable Desk Arm with Rigid Side Guard and Transfer Loop (Requires 15" minimum Seat Depth B. Not Available with Ergonomic Seat.)..... | \$406 | E0973 |
| | <input type="checkbox"/> 9" to 12" OR <input type="checkbox"/> 12" to 15" | | |
| | <input type="checkbox"/> Standard Length Pad (10") OR <input type="checkbox"/> Full Length Pad (14") | | |
| | Available Armrest Option | | |
| TARM5 | <input type="checkbox"/> Covered in Black Ultrasuede (Not available with Desk Arms)..... | \$120 | |

SEAT BELTS

| | | | |
|--------|--|-------|-------|
| TBLT1 | <input type="checkbox"/> Velcro Adjustable, Black Nylon Webbing..... | \$61 | E0978 |
| TBLT2 | <input type="checkbox"/> Bodypoint® 2" Push-Button Buckle (Auto-Style.)..... | \$103 | E0978 |
| TBLT4 | <input type="checkbox"/> Bodypoint® 1" Wide Push-Button Buckle Padded (Auto-Style.) (Not available with 19" or 20" Rear Seat Widths A.)..... | \$196 | E0978 |
| TBLT5 | <input type="checkbox"/> Bodypoint® 1.5" Wide Push-Button Buckle Padded (Auto-Style.) (Not available with 19" or 20" Rear Seat Widths A.)..... | \$185 | E0978 |
| TBLT10 | <input type="checkbox"/> Bodypoint® Optional Band Clamp Mounting Hardware..... | \$22 | K0108 |
| TBLT16 | <input type="checkbox"/> Bodypoint® EvoFlex® Pelvic Stabilizer Push Button..... | \$201 | E0978 |

CALF STRAP

| | | | |
|-------|--|-------|-------|
| TCLF2 | Velcro Adjustable..... | \$44 | K0038 |
| | <input type="checkbox"/> Small (Recommended for 9" - 12" Footrest Widths.) | | |
| | <input type="checkbox"/> Medium (Recommended for 11" - 15" Footrest Widths.) | | |
| | <input type="checkbox"/> Large (Recommended for 14" - 17" Footrest Widths.) | | |
| | <input type="checkbox"/> Xtra Large (Recommended for 16" - 19" Footrest Widths.) | | |
| TCLF3 | Bodypoint® Padded Velcro Adjustable..... | \$109 | K0038 |
| | <input type="checkbox"/> Medium (Recommended for 11" - 15" Footrest Widths.) | | |
| | <input type="checkbox"/> Large (Recommended for 16" - 19" Footrest Widths.) | | |
| TCLF1 | <input type="checkbox"/> Buckle Adjustable, Black Nylon Webbing..... | \$34 | K0038 |

TiLite Aero T Order Form

Effective Jan 2025 (New Items in Red)

DUAL-TUBE RIGID FRAME

Page 8 of 8

RESIDUAL LIMB SUPPORT

| | | | |
|-------|--|-------|-------|
| TRSL1 | <input type="checkbox"/> Residual Limb Support <input type="checkbox"/> Left OR <input type="checkbox"/> Right (8" width x 10" length)..... | \$428 | E1020 |
| TRSL2 | <input type="checkbox"/> Residual Limb Support Pair (8" width x 10" length)..... | \$855 | E1020 |

BACKPACK

| | | | |
|-------|---|-------|--|
| TBCK3 | <input type="checkbox"/> Permobil Medical Necessities Backpack..... | \$103 | |
|-------|---|-------|--|

SEAT POUCH

| | | | |
|-------|---|-------|--|
| TPCH3 | <input type="checkbox"/> Permobil Medical Necessities Seat Pouch..... | \$66 | |
| TPCH4 | <input type="checkbox"/> Bodypoint® Mobility Bag..... | \$109 | |

SPOKE GUARDS

| | | | |
|-------|---|-------|-------|
| TGRD1 | <input type="checkbox"/> Clear (Not available with Mag Rear Wheels.)..... | \$147 | K0065 |
|-------|---|-------|-------|

ANTI-TIPS

| | | | |
|-------|---|-------|-------|
| TTIP1 | <input type="checkbox"/> Rear Aluminum - Black..... | \$174 | E0971 |
| TTIP2 | <input type="checkbox"/> User Friendly Flip-up..... | \$363 | E0971 |

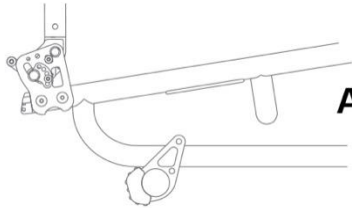
ACCESSORIES

| | | | |
|--------|--|-------|-------|
| TUEST1 | Upper Extremity Support Tray <input type="checkbox"/> 12" to 14" OR <input type="checkbox"/> 13" to 15" Seat Widths A (Requires Armrests.)..... | \$315 | E0950 |
| TLUG1 | <input type="checkbox"/> Luggage Carriers..... | \$158 | |
| TMPCT2 | Neoprene Impact Guards with Ultrasuede Stripe <input type="checkbox"/> Black..... | \$115 | |
| TCH1 | <input type="checkbox"/> Crutch Holder..... | \$244 | E2207 |
| TAFP1 | 4" Logo Patch <input type="checkbox"/> Army <input type="checkbox"/> Navy <input type="checkbox"/> Air Force <input type="checkbox"/> Marines..... | \$115 | |

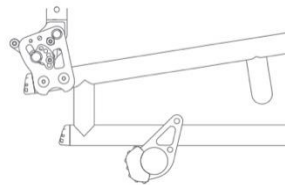
FRAME NOTES

The rear frame for a TR will be square when the Center of Gravity H measurement is less than 3.5". Aero T and TRA will always be a Rounded Rear Frame.

GENERAL



A. Round rear frame



B. Square rear frame

More options and frame modifications may be available through our Creative Mobility Division! Please contact customer service for details or [click here](#) to view options.

Permobil manufactures TiLite manual wheelchairs in a wide variety of configurations to meet the varied needs of wheelchair users. The final selection of a particular model, its options and accessories, and its measurements rests solely with the wheelchair user and advising healthcare professional. These wheelchairs must be fitted by a qualified healthcare professional. HCPCS Codes are for reference purposes only. Actual coding and coverage varies by payer. Proper HCPCS coding is not a guarantee of payment. Please verify the appropriate payer's coverage policy.

Get the latest order forms at permobilus.com. Prices, standard features, options and accessories are subject to change without notice. All rights reserved. Trademarks are identified by symbols™ and ®. TiLite, TiFit, the TiLite logo, Ti, the Ti logo, and TiShaft are registered trademarks of TiSport, LLC and are licensed to Permobil. Permobil® is a registered trademark of Permobil. Adobe®, Acrobat®, Acrobat Professional® and Reader® are registered trademarks of Adobe Systems Inc. Bodypoint® is a registered trademark of Bodypoint Inc. Kenda® is a registered trademark of Kenda Rubber Industrial Co. Ltd. ROHO®, AGILITY®, Low Profile® and Quadro Select® are registered trademarks of ROHO Inc. Schwalbe® is a registered trademark of Ralf Bohle GmbH. The Natural-Fit® and Out-Front® are registered trademarks of Three Rivers Holdings, LLC. The ACTA-BACK®, ACTA-EMBRACE™, COMFORT-TEK™, COMPASS®, CURVE®, ELEMENTS®, and STRETCH AIR™ are registered trademarks of THE COMFORT COMPANY® and are licensed to Permobil. Q'Straint® is a registered trademark of Q'Straint Inc.

NOTES

QUOTE THIS CHAIR

If you are using Adobe Acrobat, this order form may be converted into a quote request or into an order by clicking one of the buttons (this feature is available exclusively to Permobil dealers and distributors). A Quote or an Order Confirmation will be sent to you within 24 hours.

ORDER THIS CHAIR