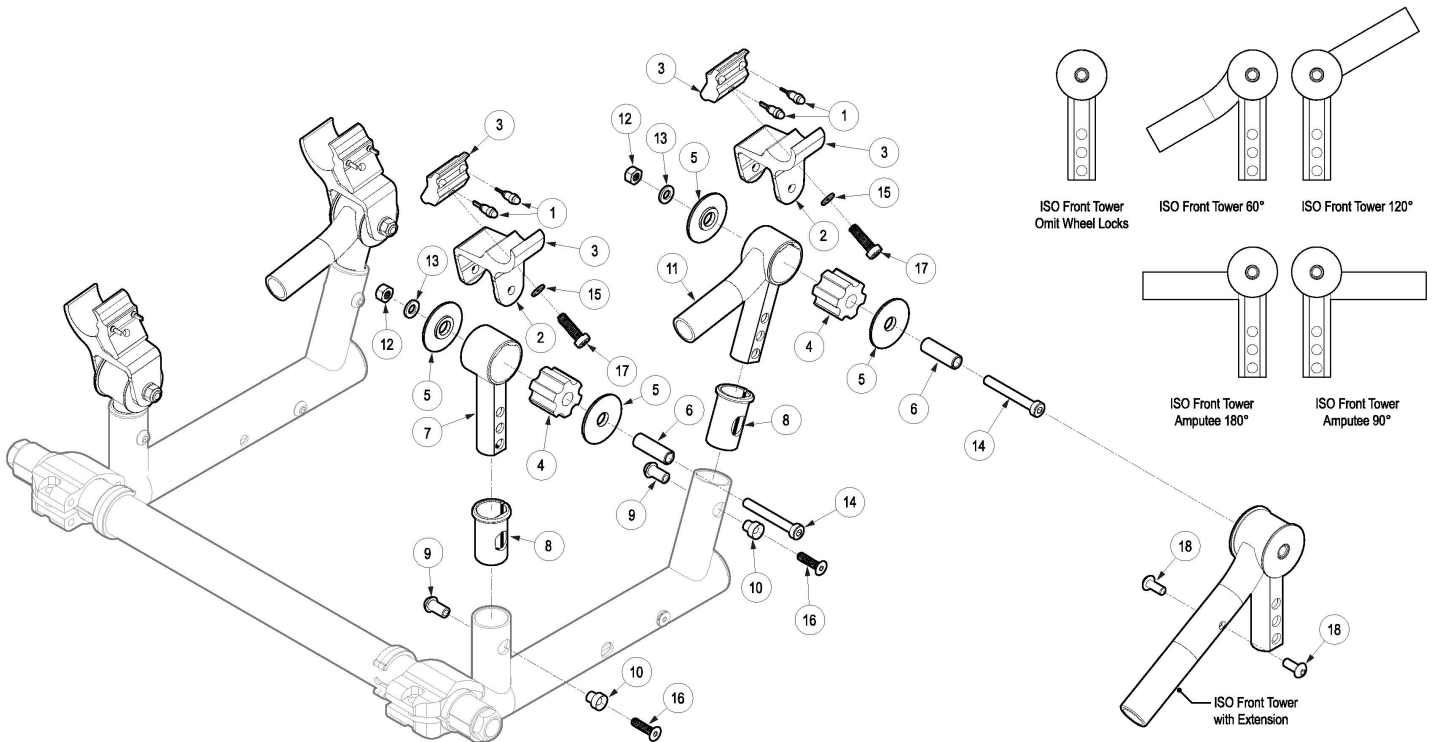


ISO Towers



ISO Towers may be quoted, but must be ordered through Customer Service

Item Number	Part Number	Description	Quantity	Retail
1-3, 15, 17	108077	Rear ISO Clamps with Hardware Kit	1	\$28.13
2, 3, 15, 17	108078	Front ISO Clamps with Hardware Kit	1	\$23.13
1, 3	108076	ISO Clamp Inside with Button	2	\$13.52
2	003850	ISO Clamp Outside	4	\$12.59
3	003851	ISO Clamp Inside	4	\$11.02
4a	003859	Polymer Bushing 50 Durometer (Red)	4	\$5.55
4b	003860	Polymer Bushing 60 Durometer (Blue)	4	\$5.55
4c	004544	Polymer Bushing 70 Durometer (Black)	4	\$5.55
4d	004545	Polymer Bushing 80 Durometer (Green)	4	\$5.55
5	003861	Iso Strut Washer	8	\$4.91
6	003863	ISO Barrel	4	\$7.41
7	108183	Rear ISO Tower	2	\$18.00

Item Number	Part Number	Description	Quantity	Retail
8a	003867	Vertical Upright Bushing With Flat, Black	4	\$2.00
8b	108060_ _ _	Vertical Upright Bushing, Highlight Color	4	\$2.00
9	003869	M5 Barrel Nut	4	\$17.85
10	003870	Barrel, M5 FHCS	4	\$8.50
11a	108187	Front ISO Tower 120°, Right	1	\$22.00
11b	110040	Front ISO Tower with Extension 120°, Right	1	\$92.04
11c	108189	Front ISO Tower 120°, Left	1	\$22.00
11d	110041	Front ISO Tower with Extension 120°, Left	1	\$92.04
11e	108188	Front ISO Tower 60°, Right	1	\$22.00
11f	110042	Front ISO Tower with Extension 60°, Right	1	\$92.04
11g	108190	Front ISO Tower 60°, Left	1	\$22.00
11h	110043	Front ISO Tower with Extension 60°, Left	1	\$92.04
11i	108184	Front ISO Tower, Omit Wheel Locks	2	\$18.00
11j	108185	Front ISO Tower, Amputee 90°	2	\$27.78
11k	110038	Front ISO Tower with Extension, Amputee 90°	2	\$97.82
11l	108186	Front ISO Tower, Amputee 180°	2	\$27.78
11m	110039	Front ISO Tower with Extension, Amputee 180°	2	\$97.82
12	100658	M6 Nylock Nut Blk Zn	4	\$1.03
13	100746	M6 Flat Washer Blk Zn	4	\$1.55
14	101123	M6 x 45 Low SHCS BLK ZC	4	\$1.55
15	102326	Flat Washer ID .254" x OD .396" Thickness .047" Zinc	4	\$0.52
16	103322	M5 x 20 FHCS Blk Zc	4	\$1.00
17	103396	M6 x 20 LHCS Blk Zc	4	\$1.50
18	102621	M5 x 8 BHCS BLK ZC	2	\$0.52