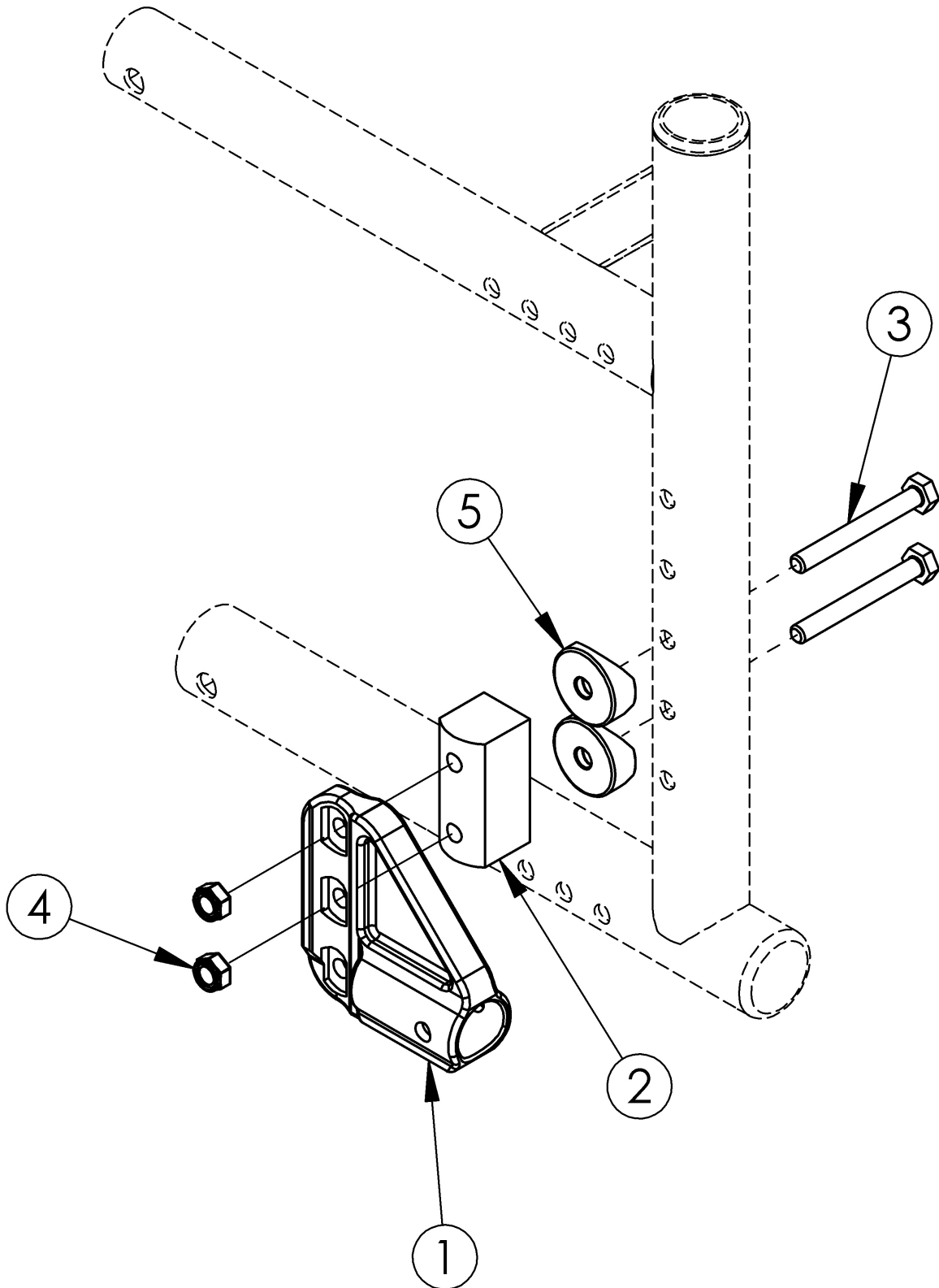


Catalyst 4 Anti-Tip Receiver



Item Number	Part Number	Description	Quantity	Retail
1a	000046	Anti Tip Receiver CAT <i>Used prior to November 14, 2018 invoice date</i>	1	\$13.94
1b	004539	Anti Tip Receiver, Catalyst <i>Used if chair has an invoice date after November 13, 2018. Replaced 000046</i>	1	\$14.36
2	002329	Amputee Anti-Tip Spacer CAT <i>Used when Anti-Tips are present with Reverse Mount Offset Axle Bracket</i>	1	\$51.46
3a	101826	M6 x 50 HHCS Blk Zn <i>Used when Amputee Anti-Tip Spacer is not present</i>	2	\$2.06
3b	100544	M6 x 75 CLS 8.8 DIN931 HHCS ZC <i>Used with Amputee Anti-Tip Spacer</i>	2	\$1.55
4	100658	M6 Nylock Nut Blk Zn	2	\$1.03
5	000056	Saddle 1 1/8" <i>Only used with Amputee Anti-Tip Spacer</i>	3	\$1.55