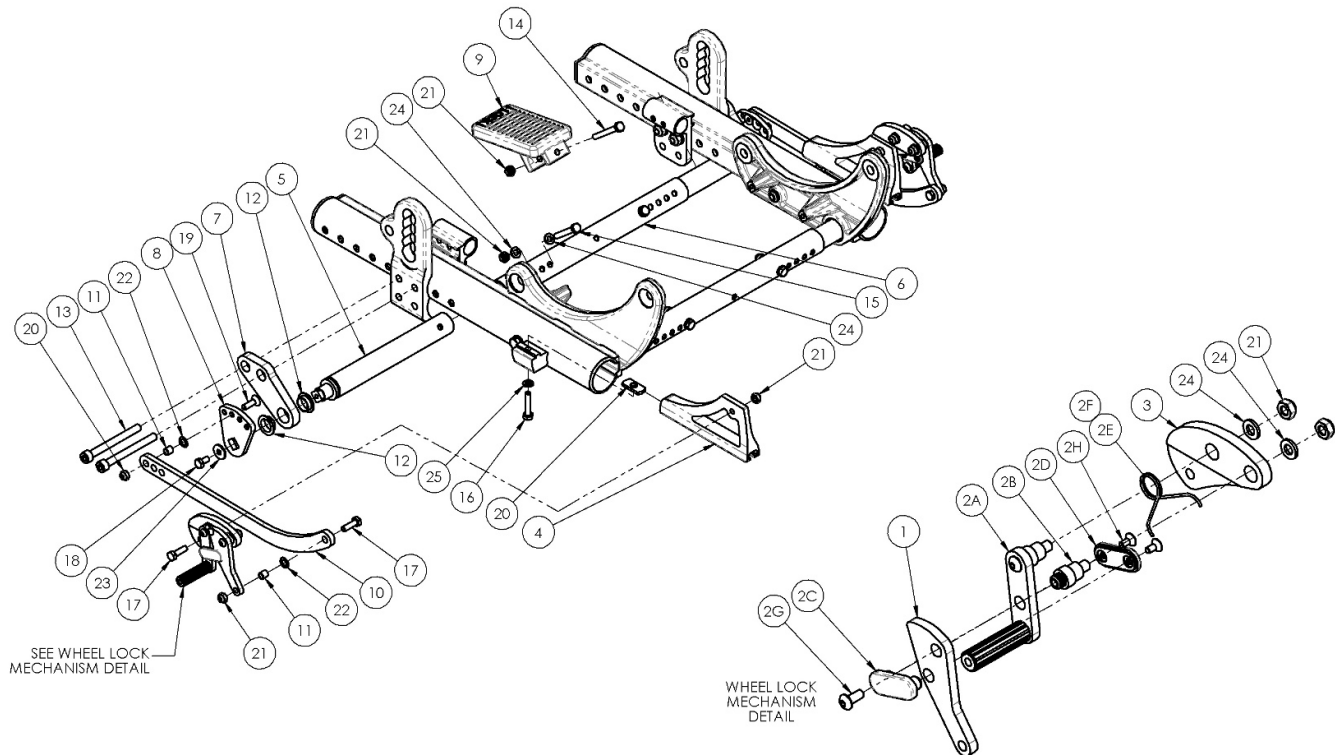


Discontinued Focus CR Attendant Foot Lock



This Focus CR attendant Foot Lock is discontinued. Please contact Customer Service for more information.

Item Number	Part Number	Description	Quantity	Retail
7a, 12	501121	Foot Lock Mount Assembly w/ Bearing Right Focus	1	\$74.88
7b, 12	501122	Foot Lock Mount Assembly w/ Bearing Left Focus	1	\$74.87
6a, 15, 21, 24	501123	Base/Axle/Foot Lock Strut Assembly Small Focus	1	\$24.29
6b, 15, 21, 24	501124	Base/Axle/Foot Lock Strut Assembly Medium Focus	1	\$24.29
6c, 15, 21, 24	501125	Base/Axle/Foot Lock Strut Assembly Large Focus	1	\$24.29
1a, 2A-2H	001142	Wheel Lock Foot Right Tilt	1	\$81.89
1b, 2A - 2H	001143	Wheel Lock Foot Left Tilt	1	\$81.89
4a	001138	Plate Wheel Lock Right Tilt	1	\$16.00
4b	001139	Plate Wheel Lock Left Tilt	1	\$16.00
5	001145	Strut Foot Lock Tilt	2	\$73.85

Item Number	Part Number	Description	Quantity	Retail
6a	001011	Growth Strut Base Small Tilt	1	\$18.54
6b	001012	Growth Strut Base Medium Tilt	1	\$18.54
6c	001013	Growth Strut Base Large Tilt	1	\$18.54
8	001150	Index Plate Foot Lock Tilt	2	\$32.40
11	001156	Pivot Bushing Tilt	4	\$5.51
12	001157	IGUS Bushing GFM-1618-06	4	\$15.45
13a	101851	M8 x 80 SHCS Blk Zn	4	\$2.06
13b	101852	M8 x 90 SHCS Blk Zn	4	\$4.12
14	101826	M6 x 50 HHCS Blk Zn	1	\$2.06
15	101825	M6 x 40 HHCS Blk Zn	2	\$1.03
16	101824	M6 x 30 HHCS Blk Zn	2	\$2.06
17	101823	M6 x 20 HHCS Blk Zn	6	\$1.03
18	101822	M6 x 12 HHCS BLKZC w/Patch	2	\$1.03
19	100866	M6 x 20 CLS12.9 DIN7991 FSHCS Blk Zc w/Patch	2	\$2.58
20	001141	Weld Nut NDM 06028 Zinc	2	\$2.58
21	100658	M6 Nylock Nut Blk Zn	13	\$1.03
22	101861	Nylon Washer 5/16 x 1/2 x .03	4	\$0.52
23	101853	M6 Washer Blk Zn	2	\$0.52
24	100746	M6 Flat Washer Blk Zn	8	\$1.55
25	101835	M6 Lock Washer Blk Zn	2	\$0.52