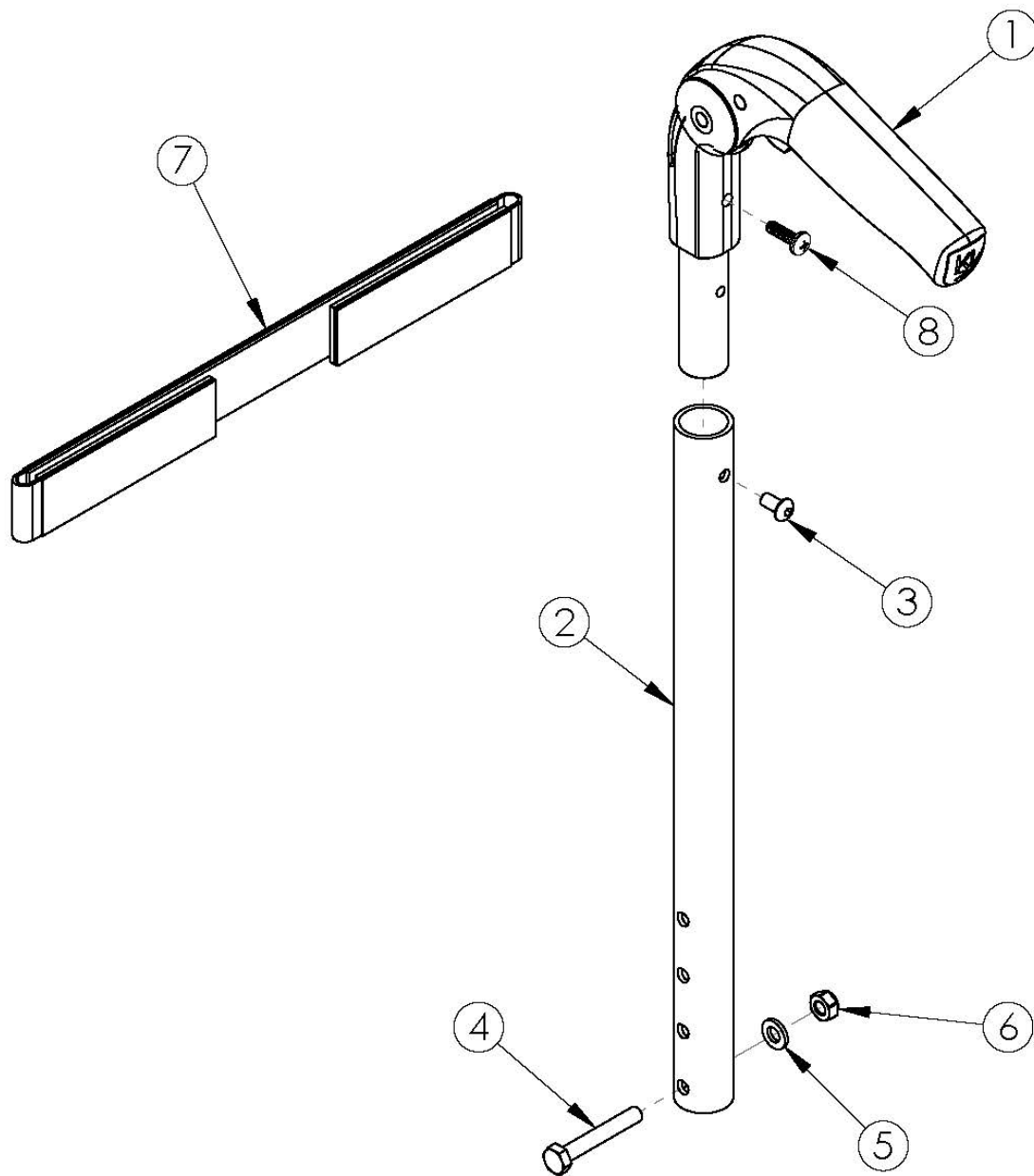


Catalyst Fold Down Push Handle



BACKTUBE (#2) HEIGHTS	
SHORT	12.05"
MEDIUM	16.05"
TALL	20.05"

Tension Straps are used with the combination of Fold Down Push Handle and Tension Adjustable Back Upholstery. Straps are based on chair width. <p>

Not available with Heavy Duty Option

Item Number	Part Number	Description	Quantity	Retail
1, 2a, 3 - 6, 8	501742	Fold Down Push Handle Assm Short CAT	1	\$87.55
1, 2b, 3 - 6, 8	501743	Fold Down Push Handle Assm Medium CAT	1	\$87.55
1, 2c, 3 - 6, 8	501744	Fold Down Push Handle Assm Tall CAT	1	\$87.55
1	001736	Folding Handle Assembly, Catalyst <i>This is to replace an existing Fold Down Push Handle. If wanting to change to the Fold Down Push Handle, order one of the following complete assemblies based on the desired back height: 501742, 501743 or 501744</i>	1	\$46.35
2a	001757	Fold Down Push Handle Tube Short, Catalyst	1	\$46.35
2b	001758	Fold Down Push Handle Tube Medium, Catalyst	1	\$46.35
2c	001759	Fold Down Push Handle Tube Tall, Catalyst	1	\$46.35
3	100669	M5 x 10 BTN SHCS BLKZC w/Patch	1	\$1.55
4	100681	M6 x 40 CLS8.8 DIN931 HHCS ZC	1	\$1.55
5	100746	M6 Flat Washer Blk Zn	1	\$1.55
6	100658	M6 Nylock Nut Blk Zn	1	\$1.03
7a	001750	Tension Strap Folding Handle 14-15 Wide	1	\$20.40
7b	001751	Tension Strap Folding Handle 16-17 Wide	1	\$21.55
7c	001752	Tension Strap Folding Handle 18-19 Wide	1	\$22.82
7d	001753	Tension Strap Folding Handle 20-22 Wide	1	\$23.98
8	100734	M5 x 16 PHMS ZC	1	\$1.55