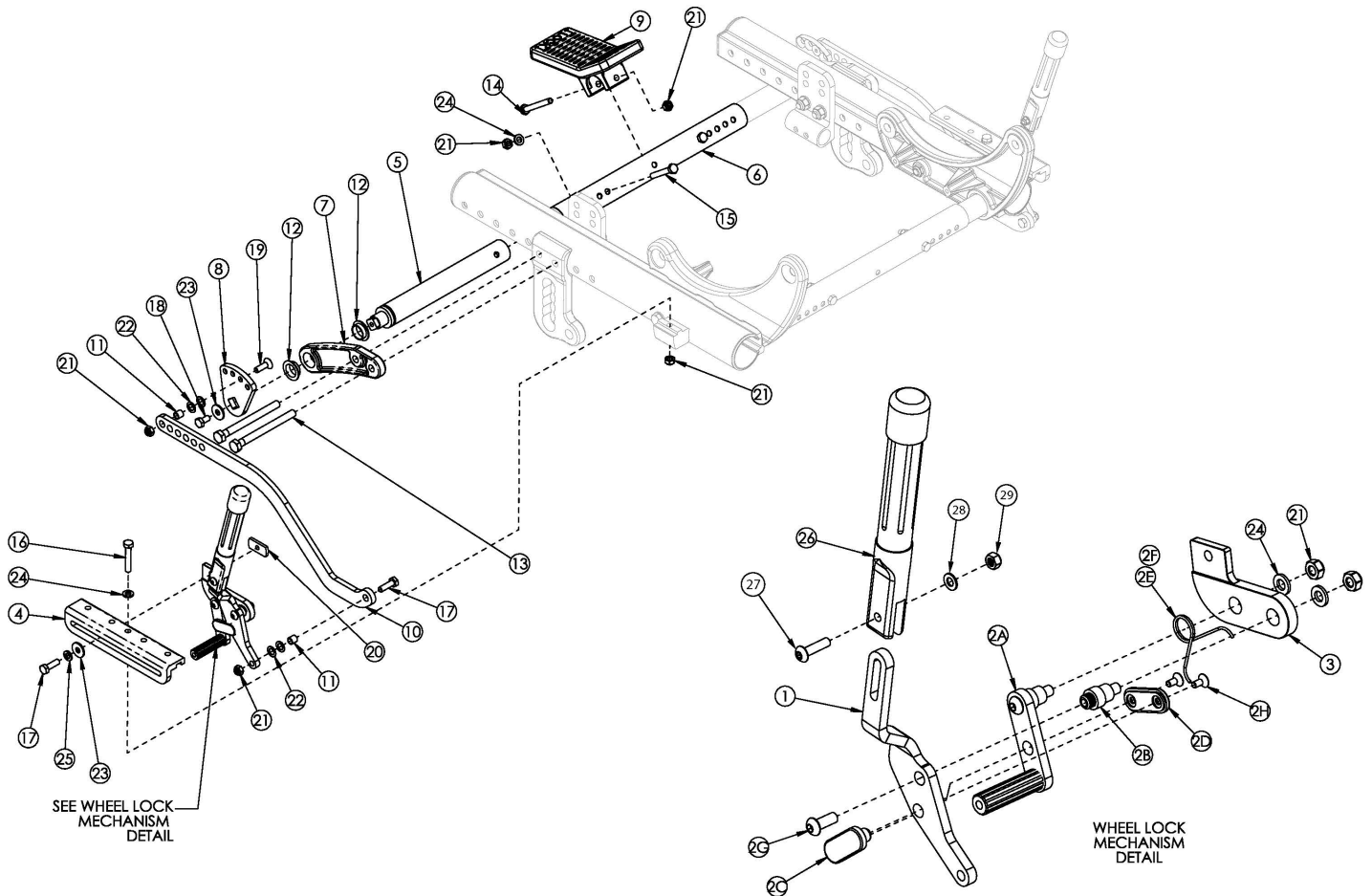


Focus CR Inverted Combination Attendant Foot Lock



Item Number	Part Number	Description	Quantity	Retail
1a, 2a-2h, 26-29	003393	Combo Wheel Lock Assembly Push with Extension, Right	1	\$47.79
1b, 2a-2h, 26-29	003394	Combo Wheel Lock Assembly Push with Extension, Left	1	\$47.79
1a, 1b, 2a - 2h, 26-29	503737	Combo Wheel lock Assembly Push with Extension PAIR <i>Use this kit to retrofit to the Combination Attendant Foot Lock when the Attendant Foot Lock and Inverted Axle Plate are already present</i>	1	\$95.58
1-5, 7-14, 16-29	503739	Combo Foot Lock Kit for Inverted Axle Plate, 12-16" Wheel <i>Use this kit to retrofit to the Combination Attendant Foot Lock when the Inverted Axle Plate is already present and the Attendant Foot Lock is not present</i>	1	\$622.75
6a, 15, 21, 24	501123	Base/Axle/Foot Lock Strut Assembly Small Focus	1	\$24.29
6b, 15, 21, 24	501124	Base/Axle/Foot Lock Strut Assembly Medium Focus	1	\$24.29
6c, 15, 21, 24	501125	Base/Axle/Foot Lock Strut Assembly Large Focus	1	\$24.29

Item Number	Part Number	Description	Quantity	Retail
3	003774	Wheel Lock Mount Inverted Axle Plate Push/Attendant <i>Replaced 001396</i>	2	\$31.22
4	001398	Wheel Lock Mount Bar Inverted Axle Plate	2	\$21.44
5	001145	Strut Foot Lock Tilt	2	\$73.85
6a	001011	Growth Strut Base Small Tilt	1	\$18.54
6b	001012	Growth Strut Base Medium Tilt	1	\$18.54
6c	001013	Growth Strut Base Large Tilt	1	\$18.54
7	001427	Tube Mount Foot Lock Tilt	2	\$17.52
8	001150	Index Plate Foot Lock Tilt	2	\$32.40
9	001397	Pedal Foot Lock 2-Way Tilt	1	\$10.72
10	001406	Linkage Foot Lock Inverted Axle Plate	2	\$30.01
11	001156	Pivot Bushing Tilt	4	\$5.51
12	001157	IGUS Bushing GFM-1618-06	4	\$15.45
13a	102384	M8 x 100 HHCS Blk Zc Part THD <i>Use quantity 1 of 102384 and quantity 1 of 101832 per side when Foot Tilt is present</i>	2	\$3.61
13b	101832	M8 x 90 HHCS Blk Zn <i>Use quantity 2 per side when Hand Tilt is present</i>	4	\$3.61
14	101826	M6 x 50 HHCS Blk Zn	1	\$2.06
15	101825	M6 x 40 HHCS Blk Zn	2	\$1.03
16	102386	M6 x 35mm HHCS Blk Zc	2	\$1.03
17	101823	M6 x 20 HHCS Blk Zn	4	\$1.03
18	101822	M6 x 12 HHCS BLKZC w/Patch	2	\$1.03
19	100866	M6 x 20 CLS12.9 DIN7991 FSHCS Blk Zc w/Patch	2	\$2.58
20	001141	Weld Nut NDM 06028 Zinc	2	\$2.58
21	100658	M6 Nylock Nut Blk Zn	13	\$1.03
22	101861	Nylon Washer 5/16 x 1/2 x .03	4	\$0.52
23	101853	M6 Washer Blk Zn	2	\$0.52
24	100746	M6 Flat Washer Blk Zn	8	\$1.55
25	101835	M6 Lock Washer Blk Zn	2	\$0.52

Item Number	Part Number	Description	Quantity	Retail
26-29	100854	Brake Extension Replacement	1	\$11.95
27	101117	M5 x 22 BTN SHCS BLK ZC	1	\$1.55
28	101856	Flat Washer, M5, Blk Zn	1	\$0.52
29	100657	M5 Nylock Nut Blk Zn	1	\$0.52
7, 12	501435	Foot Lock Tube Mount with Bearings Focus	1	\$24.43

Inverted Wheel Lock Utilization

12" Mag - Pneumatic Tire			
Wheel Size	Tire	Caster	Seat Height
12" Mag	Pneumatic	5"	17.5" - 19.5"
12" Mag	Pneumatic	6"	17.5" - 19.5"
12" Mag	Pneumatic	6x2"	17.5" - 19.5"
12" Mag	Pneumatic	7"	17.5" - 19.5"
12" Mag	Pneumatic	8"	17" - 19.5"
12" Mag	Pneumatic	8x1.5"	17.5" - 19.5"
12" Mag	Pneumatic	8x2"	17.5" - 19.5"

12" Mag - Full Poly Tire			
Wheel Size	Tire	Caster	Seat Height
12" Mag	Full Poly	5"	ALL
12" Mag	Full Poly	6"	ALL
12" Mag	Full Poly	6x2"	ALL
12" Mag	Full Poly	7"	ALL
12" Mag	Full Poly	8"	ALL
12" Mag	Full Poly	8x1.5"	ALL
12" Mag	Full Poly	8x2"	ALL

16" Mag - Pneumatic Tire			
Wheel Size	Tire	Caster	Seat Height
16" Mag	Pneumatic	5"	19" - 20.5"
16" Mag	Pneumatic	6"	19" - 20.5"
16" Mag	Pneumatic	6x2"	19" - 20.5"
16" Mag	Pneumatic	7"	19" - 20.5"
16" Mag	Pneumatic	8"	19" - 20.5"
16" Mag	Pneumatic	8x1.5"	19" - 20.5"
16" Mag	Pneumatic	8x2"	19" - 20.5"

16" Mag - Full Poly Tire			
Wheel Size	Tire	Caster	Seat Height
16" Mag	Full Poly	5"	19" - 20.5"
16" Mag	Full Poly	6"	19" - 20.5"
16" Mag	Full Poly	6x2"	19" - 20.5"
16" Mag	Full Poly	7"	19.5" - 20.5"
16" Mag	Full Poly	8"	19" - 20.5"
16" Mag	Full Poly	8x1.5"	19" - 20.5"
16" Mag	Full Poly	8x2"	19" - 20.5"

16" Mag - Low Poly Tire			
Wheel Size	Tire	Caster	Seat Height
16" Mag	Low Poly	5"	18" - 20"
16" Mag	Low Poly	6"	18" - 20"
16" Mag	Low Poly	6x2"	18" - 20.5"
16" Mag	Low Poly	7"	18" - 20.5"
16" Mag	Low Poly	8"	18" - 20.5"
16" Mag	Low Poly	8x1.5"	18" - 20"
16" Mag	Low Poly	8x2"	18" - 20"

16" Mag - Pneumatic / Full Poly Tire - Drum Brake			
Wheel Size	Tire	Caster	Seat Height
16" Mag	Pneumatic / Full Poly	5"	19" - 20.5"
16" Mag	Pneumatic / Full Poly	6"	18.5" - 20.5"
16" Mag	Pneumatic / Full Poly	6x2"	18.5" - 20.5"
16" Mag	Pneumatic / Full Poly	7"	18.5" - 20.5"
16" Mag	Pneumatic / Full Poly	8"	18.5" - 20.5"
16" Mag	Pneumatic / Full Poly	8x1.5"	18.5" - 20.5"
16" Mag	Pneumatic / Full Poly	8x2"	18.5" - 20.5"