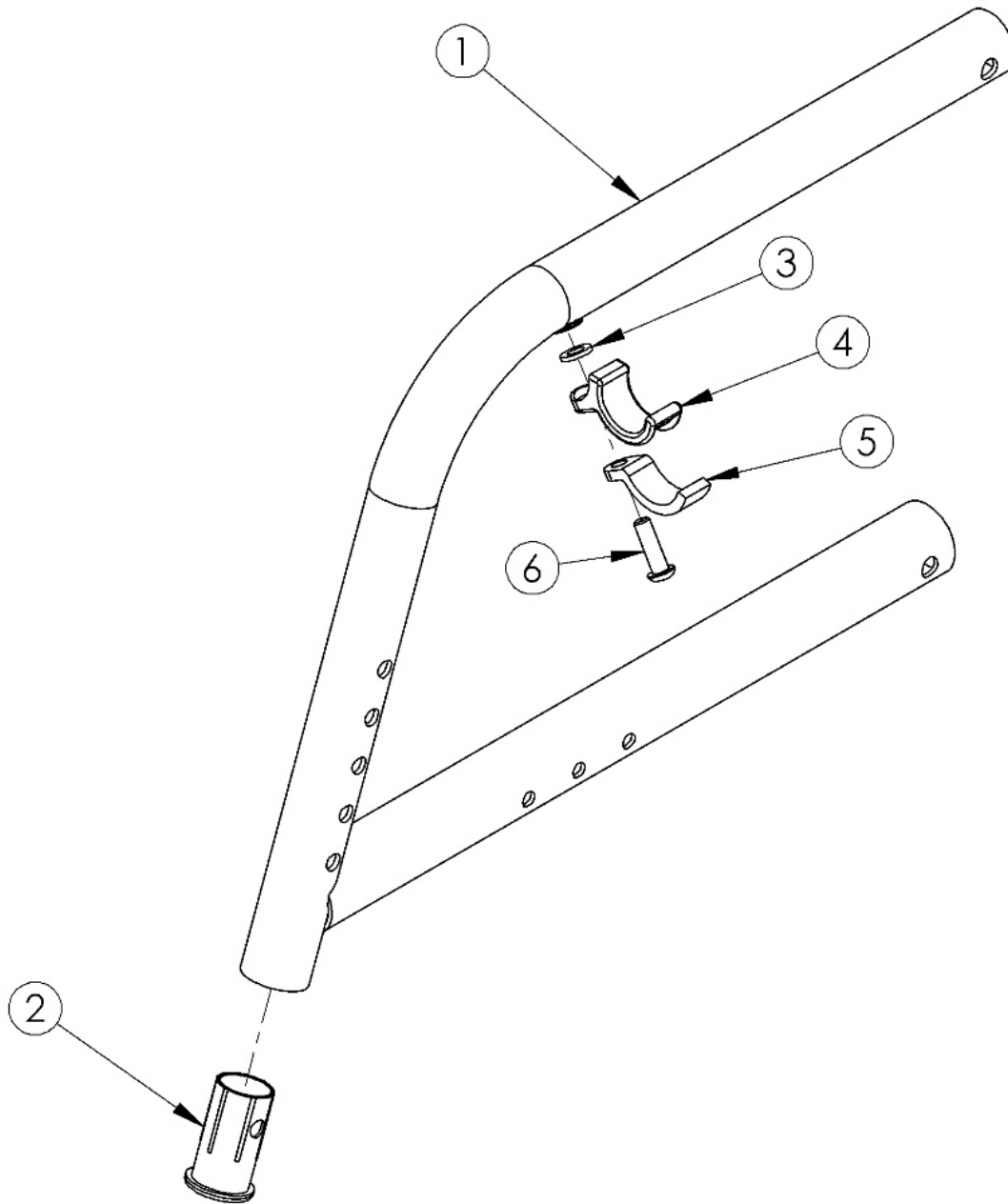


Catalyst 5Ti 70 Degree Fixed Front Frame



Frame Assemblies are based on Seat Depth.<p>

If switching to a new Seat Depth, new Height Adjustable Flip Back T-Arms may be required (if present).

Item Number	Part Number	Description	Quantity	Retail
3, 4, 5, 6	501005	Seat Hook and Support Hardware Kit, Catalyst <i>This kit contains quantity of 1 each</i>	1	\$17.06

Item Number	Part Number	Description	Quantity	Retail
1a, 2	100290	Frame Assm Cat TI Front Fixed 70 Left 14	1	\$389.35
1b, 2	100291	Frame Assm Cat TI Front Fixed 70 Left 15	1	\$514.16
1c, 2	100292	Frame Assm Cat TI Front Fixed 70 Left 16	1	\$514.16
1d, 2	100293	Frame Assm Cat TI Front Fixed 70 Left 17	1	\$514.16
1e, 2	501643	Frame Assm Cat Ti Front Fixed 70 Left 18	1	\$389.35
1f, 2	501644	Frame Assm Cat Ti Front Fixed 70 Left 19	1	\$425.21
1g, 2	100294	Frame Assm Cat TI Front Fixed 70 Left 20	1	\$514.16
1h, 2	100285	Frame Assm Cat TI Front Fixed 70 Right 14	1	\$389.35
1i, 2	100286	Frame Assm Cat TI Front Fixed 70 Right 15	1	\$514.16
1j, 2	100287	Frame Assm Cat TI Front Fixed 70 Right 16	1	\$514.16
1k, 2	100288	Frame Assm Cat TI Front Fixed 70 Right 17	1	\$514.16
1l, 2	501645	Frame Assm Cat Ti Front Fixed 70 Right 18	1	\$389.35
1m, 2	501646	Frame Assm Cat Ti Front Fixed 70 Right 19	1	\$425.21
1n, 2	100289	Frame Assm Cat TI Front Fixed 70 Right 20	1	\$514.16
2	000034	Sleeve 3/4" x 1 1/2"	1	\$3.59
3	100831	1/2" Washer OD .040" Thick	1	\$1.55
4	000003	Seat Hook CAT	1	\$7.55
5	000004	Seat Hook Support CAT	1	\$6.42
6	100668	M6 x 20 CLS10.9 BTN SHCS ZC w/Patch	1	\$1.55