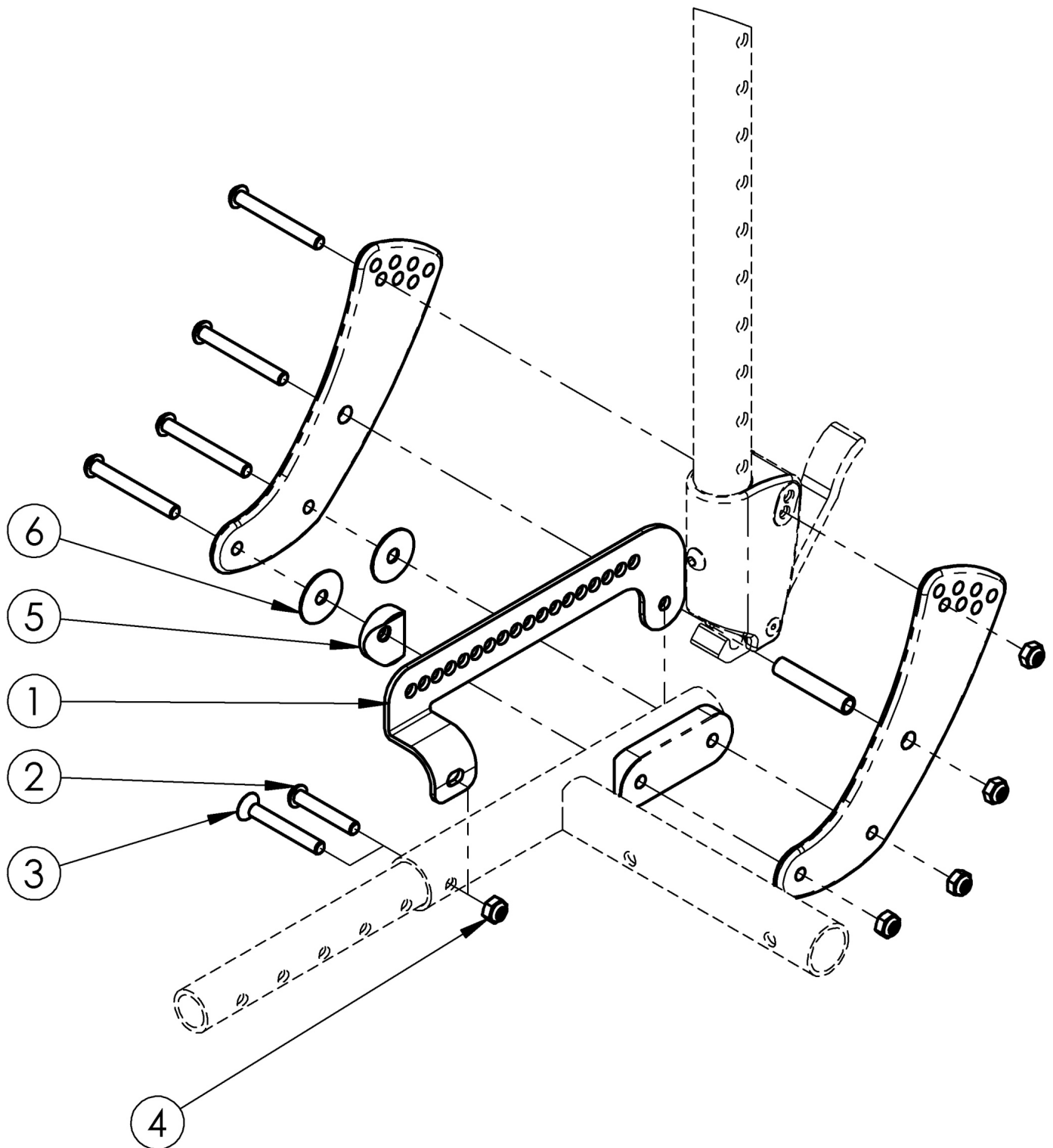


Ki Mobility Belt Mounting Bracket for Focus CR



Item Number	Part Number	Description	Quantity	Retail
1a	001283	Ki Mobility Belt Mounting Bracket Right	1	\$20.82

Item Number	Part Number	Description	Quantity	Retail
1b	001284	Ki Mobility Belt Mounting Bracket Left	1	\$20.82
2	101592	M6 x 45 CLS10.9 DIN7991 FSHCS BLKZC <i>Not used when T-Arms are present</i>	2	\$2.50
3	101811	M6 x 35 BHCS Blk Zn <i>Used only when T-Arms are present</i>	2	\$1.00
4	100658	M6 Nylock Nut Blk Zn	2	\$1.00
5	000055	Saddle 1"	2	\$1.50
6	102791	Washer Nylon .26"IDx1"ODx.031T	4	\$1.50
1a, 1b, 2-6	501170	Ki Mobility Belt Mounting Bracket Kit PAIR	1	\$50.00