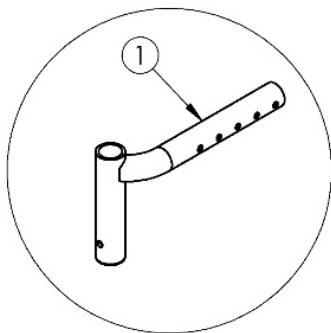
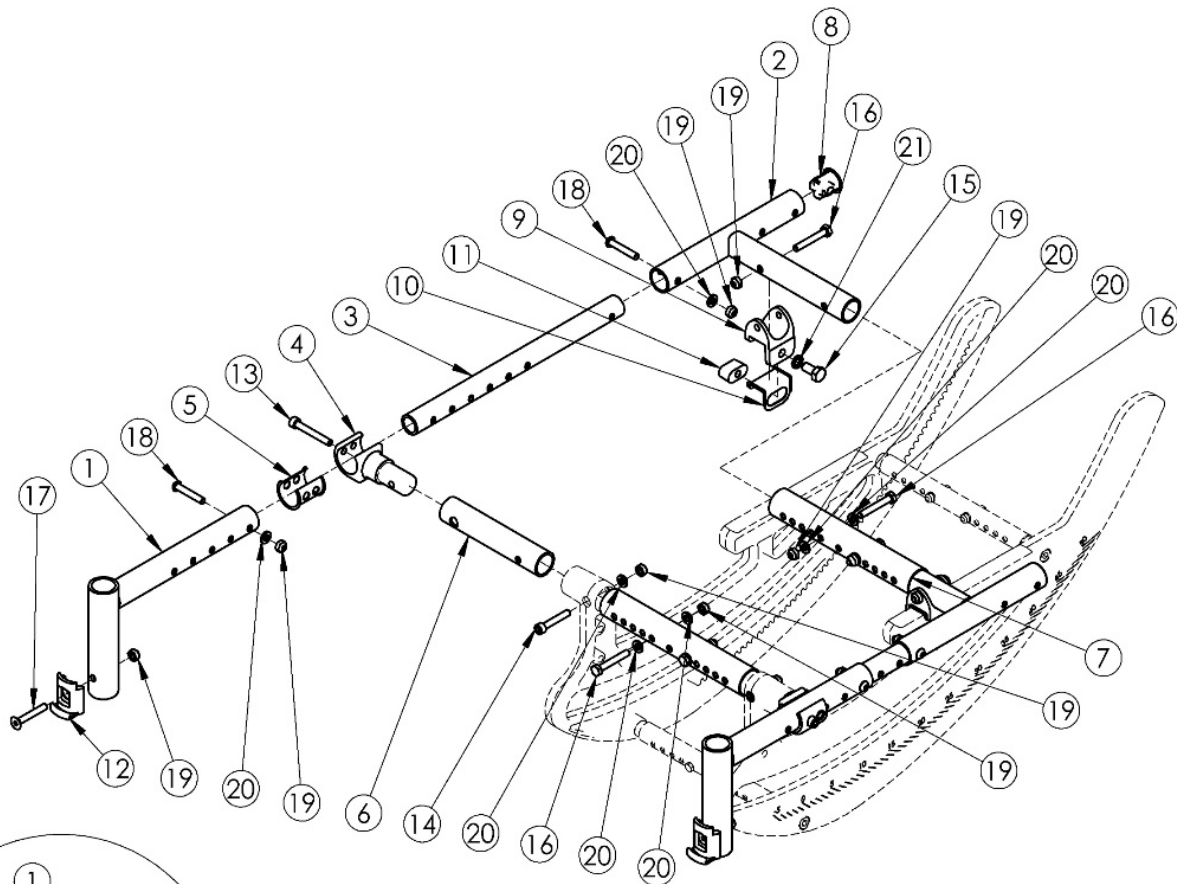


# Focus CR Seat Frame



Offset seat tube (1d-1i)

*If changing to Offset Seat Tubes/Offset Hangers, Tilt Stops are required and may also require new sized footplates.*

Item Number	Part Number	Description	Quantity	Retail
1a, 2 - 6, 8 - 11, 13 - 16, 18 - 21	501073	Seat Frame Assm Short Standard Focus	1	\$793.72
1b, 2 - 6, 8 - 11, 13 - 16, 18 - 21	501074	Seat Frame Assm Medium Standard Focus	1	\$793.72
1c, 2 - 6, 8 - 11, 13 - 16, 18 - 21	501075	Seat Frame Assm Long Standard Focus	1	\$1,023.35

Item Number	Part Number	Description	Quantity	Retail
1d, 1g, 2 - 6, 8 - 11, 13 - 16, 18 - 21	501076	Seat Frame Assm Short Offset Focus	1	\$793.72
1e, 1h, 2 - 6, 8 - 11, 13 - 16, 18 - 21	501077	Seat Frame Assm Medium Offset Focus	1	\$793.72
1f, 1i, 2 - 6, 8 - 11, 13 - 16, 18 - 21	501078	Seat Frame Assm Long Offset Focus	1	\$1,023.35
1d, 1g, 2 - 6, 8 - 11, 13 - 16, 18 - 21	506502	Seat Frame Assembly Short Offset with Tilt Stops Focus <i>Includes a pair of Tilt Stops. Tilt Stops not shown in image.</i>	1	\$824.62
1e, 1h, 2 - 6, 8 - 11, 13 - 16, 18 - 21	506503	Seat Frame Assembly Medium Offset with Tilt Stops Focus <i>Includes a pair of Tilt Stops. Tilt Stops not shown in image.</i>	1	\$824.62
1f, 1i, 2 - 6, 8 - 11, 13 - 16, 18 - 21	506504	Seat Frame Assembly Long Offset with Tilt Stops Focus <i>Includes a pair of Tilt Stops. Tilt Stops not shown in image.</i>	1	\$1,054.25
7a, 16, 19, 20	501126	Seat Frame Strut Assm Small Focus	1	\$46.51
7b, 16, 19, 20	501127	Seat Frame Strut Assm Medium Focus	1	\$46.51
7c, 16, 19, 20	501128	Seat Frame Strut Assm Large Focus	1	\$46.51
1a	001038	Seat Tube Weld Front Short TILT	2	\$87.91
1b	001039	Seat Tube Weld Front Medium TILT	2	\$87.91
1c	001040	Seat Tube Weld Front Long HD	2	\$149.01
1d	001046	Seat Tube Weld Front Offset Right Short TILT	1	\$87.91
1e	001047	Seat Tube Weld Front Offset Right Medium TILT	1	\$87.91
1f	001048	Seat Tube Weld Front Offset Right Long HD TILT	1	\$149.01
1g	001049	Seat Tube Weld Front Offset Left Short TILT	1	\$87.91
1h	001050	Seat Tube Weld Front Offset Left Medium TILT	1	\$87.91
1i	001051	Seat Tube Weld Front Offset Left Long HD TILT	1	\$149.01
2	001055	Seat Tube Weldment Rear TILT	2	\$76.55
3	001061	Growth Tube Seat Frame TILT	2	\$38.26
4	001034	Clamp Seat Tube Front TILT	2	\$50.27
5	001035	Sleeve Seat Tube Clamp TILT	2	\$3.53
6	001033	Strut End Seat TILT	2	\$24.25

Item Number	Part Number	Description	Quantity	Retail
7a	001011	Growth Strut Base Small Tilt	2	\$18.54
7b	001012	Growth Strut Base Medium Tilt	2	\$18.54
7c	001013	Growth Strut Base Large Tilt	2	\$18.54
8	001028	Tube Plug 1" x .824"	2	\$6.40
9	001062	Saddle Rear Seat Strut TILT	2	\$49.24
10	001063	Liner Saddle Rear TILT	2	\$3.09
11	001064	Rear Seat Retainer TILT	2	\$10.29
12	000336	Latch Block	2	\$36.78
13	101472	M6 x 45 SHCS BLK ZC	2	\$1.55
14	101810	M6 x 35 SHCS BLK ZC	2	\$1.03
15	101828	M8 x 18 HHCS Blk Zn	2	\$1.55
16	101825	M6 x 40 HHCS Blk Zn	6	\$1.03
17	101819	M6 x 40 FHCS Blk Zn	2	\$1.03
18	101811	M6 x 35 BHCS Blk Zn	4	\$1.03
19	100658	M6 Nylock Nut Blk Zn	14	\$1.03
20	100746	M6 Flat Washer Blk Zn	14	\$1.55
21	101834	M8 Hi-Collar Lockwasher Blk Zn	2	\$0.52