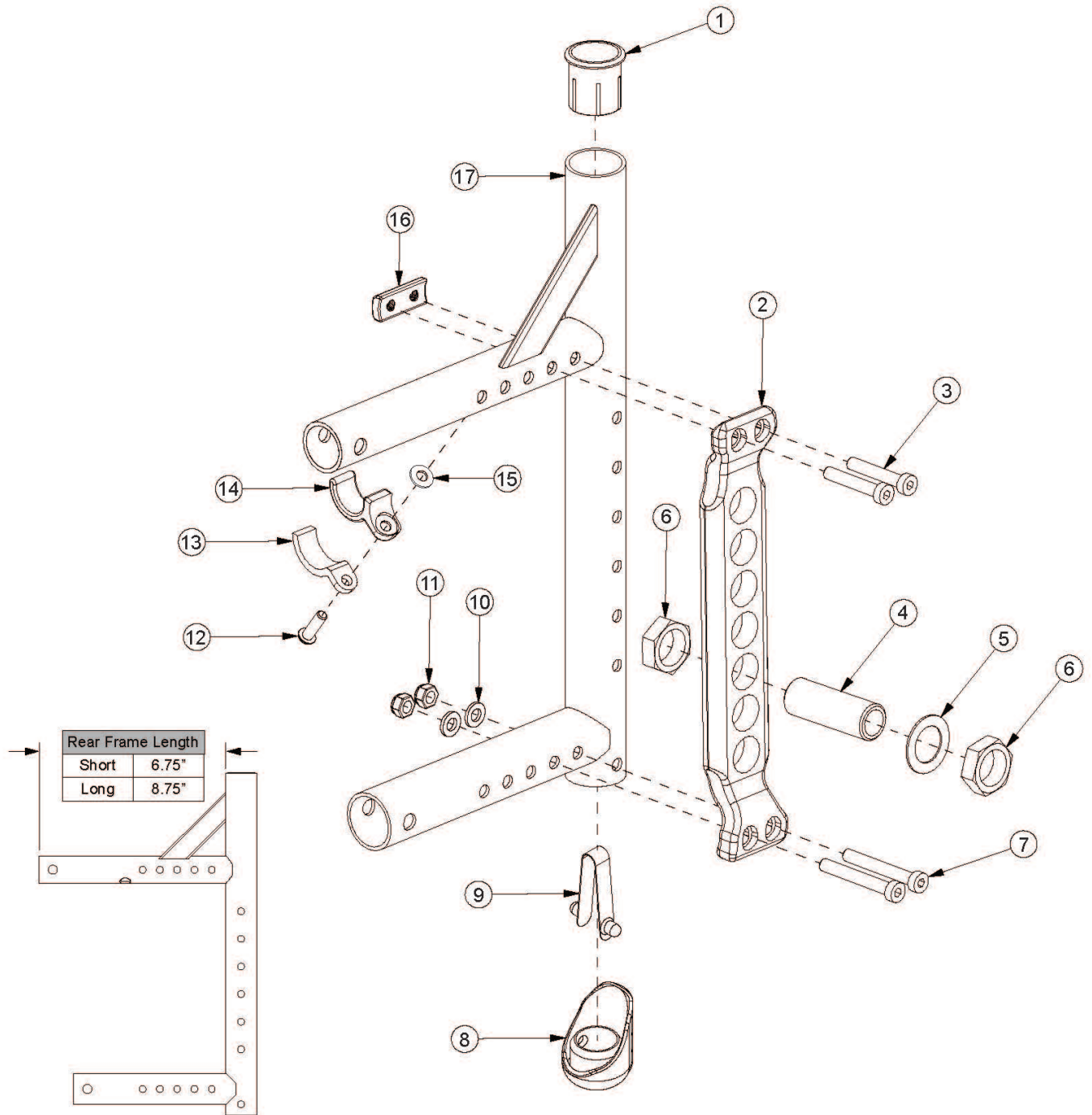


AADL / Canada Adjustable Axle Plate Rear Frame



Retrofitting to this axle plate and rear frame requires 300lb or 350lb Weight Capacity<p>
 Use short frame for 14-17" Seat Depths and long frame for 18-20" Seat Depths<p>
 If switching to a new Seat Depth, new Height Adjustable Flip Back T-Arms may be needed

Item Number	Part Number	Description	Quantity	Retail
12 - 15	501005	Seat Hook and Support Hardware Kit, Catalyst	1	\$17.06

Item Number	Part Number	Description	Quantity	Retail
		<i>This kit contains quantity of 1 each</i>		
1	000030	Backrest Sleeve Cat	1	\$3.45
3	103370	M6 x 35 Low SHCS BLKZC w/Patch	2	\$4.12
4	100756	Axle Receiver 1/2"	1	\$17.33
5	100583	Axle Plate Washer 18mm	1	\$1.03
6	100514	Axle Receiver Nut M18 x D12 x 10mm	2	\$1.51
7	101123	M6 x 45 Low SHCS BLK ZC	2	\$1.55
9	100534	Detent Button Lower	1	\$3.52
10	100746	M6 Flat Washer Blk Zn	2	\$1.55
11	100658	M6 Nylock Nut Blk Zn	2	\$1.03
12	100668	M6 x 20 CLS10.9 BTN SHCS ZC w/Patch	1	\$1.55
13	000004	Seat Hook Support CAT	1	\$6.42
14	000003	Seat Hook CAT	1	\$7.55
15	100831	1/2" Washer OD .040" Thick	1	\$1.55