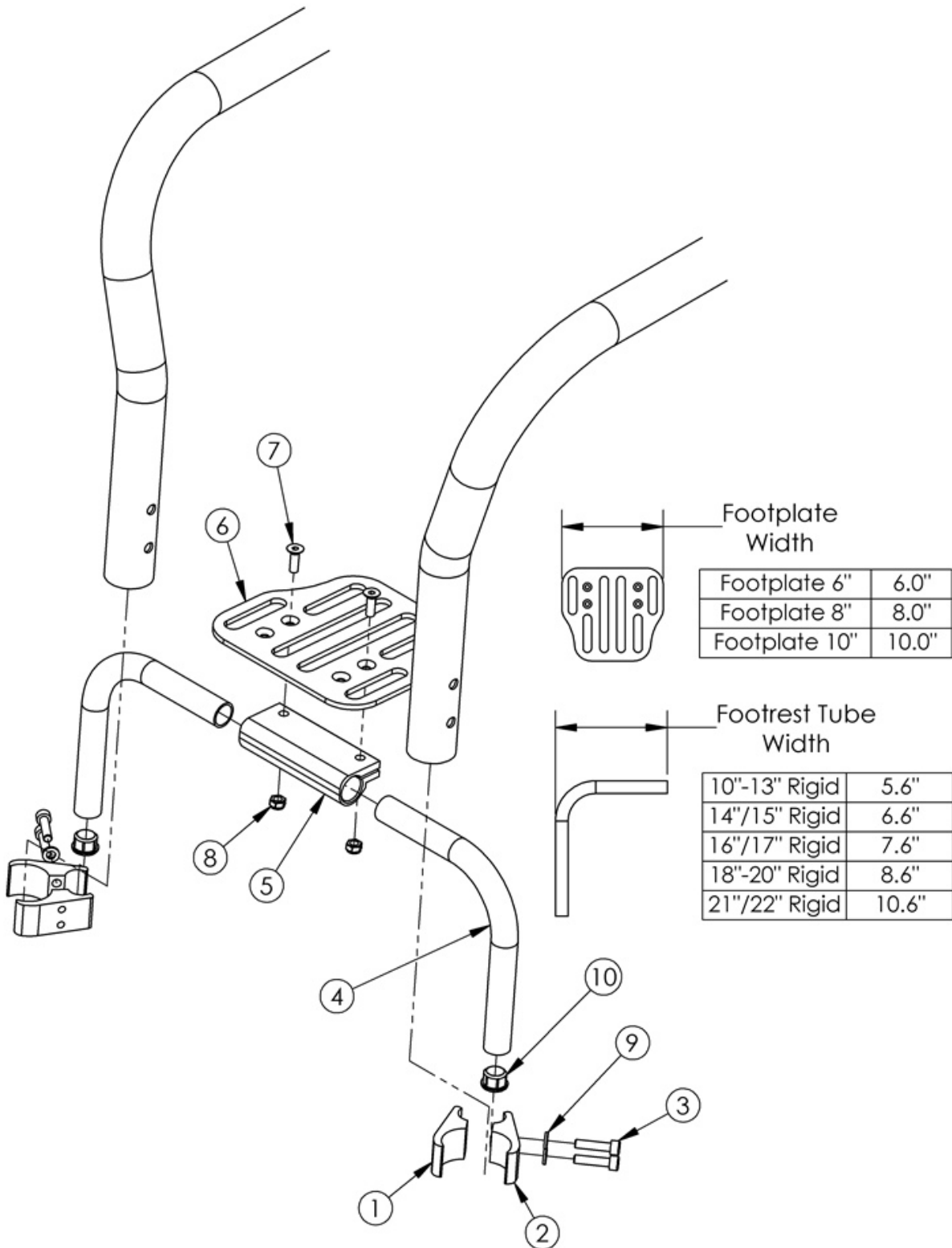


Tsunami Ti High Mount Angle Adjustable Footrest



| Item Number | Part Number | Description | Quantity | Retail |
|-------------|-------------|--|----------|---------|
| 1 | 000378 | Clamp Top 1.125" TSU TI | 2 | \$18.00 |
| 2 | 000379 | Clamp Bottom 1.125" TSU TI | 2 | \$18.00 |
| 3 | 100780 | M6 x 25 CLS12.9 DIN912 SHCS ZC | 4 | \$2.00 |
| 4a | 000221 | Footrest Tube Angle Adjustable 5.6" Rigid | 2 | \$23.20 |
| 4b | 000222 | Footrest Tube Angle Adjustable 6.6" Rigid | 2 | \$23.20 |
| 4c | 000223 | Footrest Tube Angle Adjustable 7.6" Rigid | 2 | \$23.20 |
| 4d | 000224 | Footrest Tube Angle Adjustable 8.6" Rigid | 2 | \$23.20 |
| 4e | 000625 | Footrest Tube Angle Adjustable 10.6" Rigid | 2 | \$86.62 |
| 5 | 100789 | Footrest Adjustable Clamp 5" | 1 | \$27.83 |
| 6a | 000225 | Footrest Platform Angle Adj 6" | 1 | \$74.83 |
| 6b | 000226 | Footrest Platform Angle Adjustable 8" | 1 | \$81.63 |
| 6c | 000227 | Footrest Platform Angle Adjustable 10" | 1 | \$88.44 |
| 7 | 100662 | M6 x 25 CLS10.9 DIN7991 FSHCS BLKZC | 2 | \$1.50 |
| 8 | 100658 | M6 Nylock Nut Blk Zn | 2 | \$1.00 |