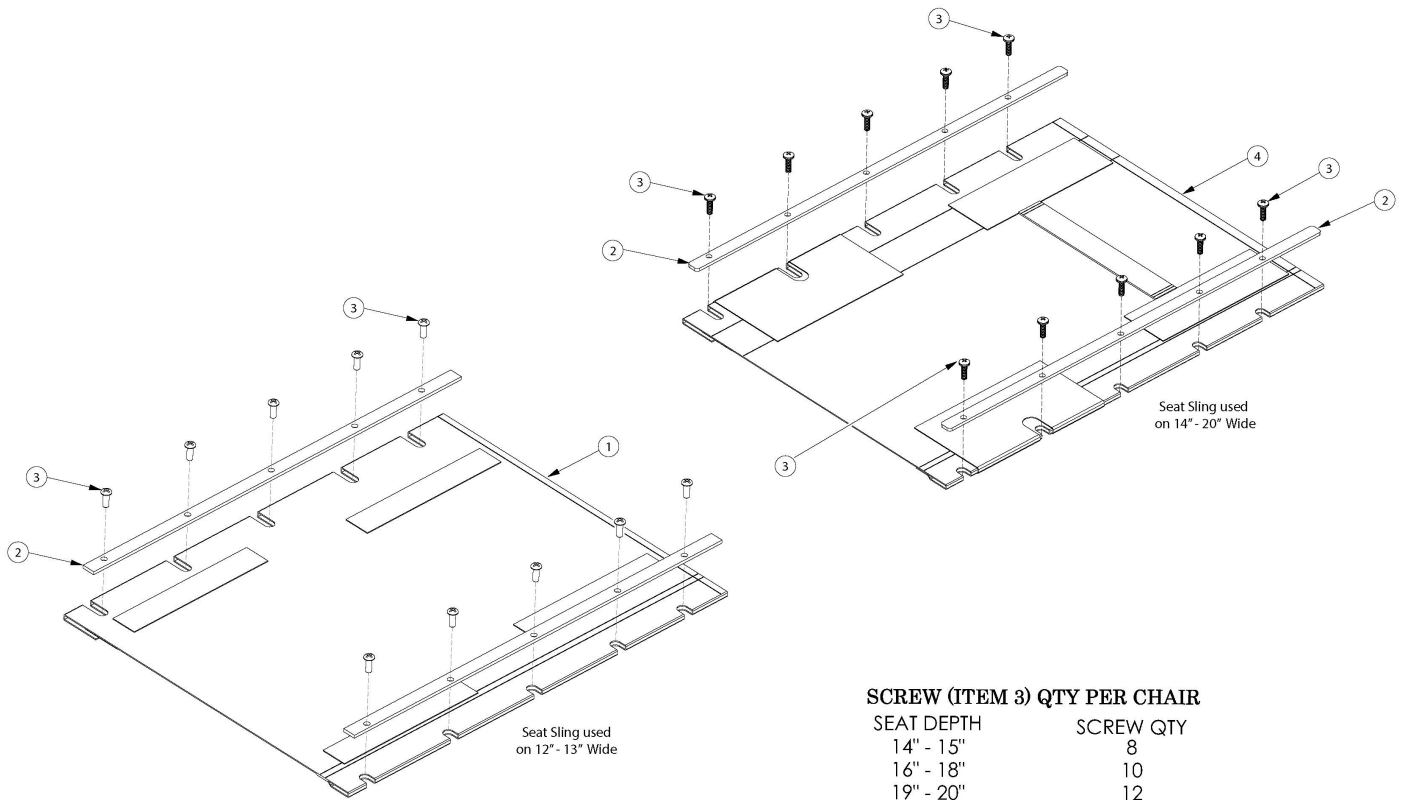


Ethos Seat Upholstery



Item Number	Part Number	Description	Quantity	Retail
1a	101516	Seat Upholstery Rigid 1214	1	\$92.70
1b	101517	Seat Upholstery Rigid 1215	1	\$92.70
1c	101518	Seat Upholstery Rigid 1216	1	\$92.70
1d	101519	Seat Upholstery Rigid 1217	1	\$92.70
1e	101520	Seat Upholstery Rigid 1218	1	\$92.70
1f	101569	Seat Upholstery Rigid 1219	1	\$92.70
1g	101523	Seat Upholstery Rigid 1314	1	\$92.70
1h	101524	Seat Upholstery Rigid 1315	1	\$92.70
1i	101525	Seat Upholstery Rigid 1316	1	\$92.70
1j	101526	Seat Upholstery Rigid 1317	1	\$92.70

Item Number	Part Number	Description	Quantity	Retail
1k	101527	Seat Upholstery Rigid 1318	1	\$92.70
1l	101571	Seat Upholstery Rigid 1319	1	\$92.70
1m	101572	Seat Upholstery Rigid 1320	1	\$92.70
2a	000241	Seat Rail 14" Deep Rigid/LFT	2	\$15.37
2b	000242	Seat Rail 15" Deep RIGID	2	\$15.37
2c	000243	Seat Rail 16" Deep Rigid/LFT	2	\$15.37
2d	000244	Seat Rail 17" Deep RIGID	2	\$15.37
2e	000245	Seat Rail 18" Deep Rigid/LFT	2	\$15.37
2f	000246	Seat Rail 19" Deep RIGID	2	\$15.37
2g	000247	Seat Rail 20" Deep Rigid/LFT	2	\$15.37
3	100734	M5 x 16 PHMS ZC	12	\$1.55
4a	101000	Seat Upholstery Rigid/LFT 1414	1	\$92.70
4b	101005	Seat Upholstery Rigid 1415	1	\$92.70
4c	101012	Seat Upholstery Rigid/LFT 1416	1	\$92.70
4d	101019	Seat Upholstery Rigid 1417	1	\$92.70
4e	101026	Seat Upholstery Rigid/LFT 1418	1	\$92.70
4f	101033	Seat Upholstery Rigid 1419	1	\$92.70
4g	101074	Seat Upholstery Rigid/LFT 1420	1	\$92.70
4h	101001	Seat Upholstery Rigid/LFT 1514	1	\$92.70
4i	101006	Seat Upholstery Rigid 1515	1	\$92.70
4j	101013	Seat Upholstery Rigid/LFT 1516	1	\$92.70
4k	101020	Seat Upholstery Rigid 1517	1	\$92.70
4l	101027	Seat Upholstery Rigid/LFT 1518	1	\$92.70
4m	101034	Seat Upholstery Rigid 1519	1	\$92.70
4n	101040	Seat Upholstery Rigid/LFT 1520	1	\$92.70
4o	101002	Seat Upholstery Rigid/LFT 1614	1	\$92.70
4p	101007	Seat Upholstery Rigid 1615	1	\$92.70
4q	101014	Seat Upholstery Rigid/LFT 1616	1	\$92.70

Item Number	Part Number	Description	Quantity	Retail
4r	101021	Seat Upholstery Rigid 1617	1	\$92.70
4s	101028	Seat Upholstery Rigid/LFT 1618	1	\$92.70
4t	101035	Seat Upholstery Rigid 1619	1	\$92.70
4u	101041	Seat Upholstery Rigid/LFT 1620	1	\$92.70
4v	101003	Seat Upholstery Rigid/LFT 1714	1	\$92.70
4w	101008	Seat Upholstery Rigid 1715	1	\$92.70
4x	101015	Seat Upholstery Rigid/LFT 1716	1	\$92.70
4y	101022	Seat Upholstery Rigid 1717	1	\$92.70
4z	101029	Seat Upholstery Rigid/LFT 1718	1	\$92.70
4aa	101036	Seat Upholstery Rigid 1719	1	\$92.70
4ab	101042	Seat Upholstery Rigid/LFT 1720	1	\$92.70
4ac	101004	Seat Upholstery Rigid/LFT 1814	1	\$92.70
4ad	101009	Seat Upholstery Rigid 1815	1	\$92.70
4ae	101016	Seat Upholstery Rigid/LFT 1816	1	\$92.70
4af	101023	Seat Upholstery Rigid 1817	1	\$92.70
4ag	101030	Seat Upholstery Rigid/LFT 1818	1	\$92.70
4ah	101037	Seat Upholstery Rigid 1819	1	\$92.70
4ai	101043	Seat Upholstery Rigid/LFT 1820	1	\$92.70
4aj	101010	Seat Upholstery Rigid 1915	1	\$92.70
4ak	101017	Seat Upholstery Rigid/LFT 1916	1	\$92.70
4al	101024	Seat Upholstery Rigid 1917	1	\$92.70
4am	101031	Seat Upholstery Rigid/LFT 1918	1	\$92.70
4an	101038	Seat Upholstery Rigid 1919	1	\$92.70
4ao	101044	Seat Upholstery Rigid/LFT 1920	1	\$92.70
4ap	101011	Seat Upholstery Rigid 2015	1	\$92.70
4aq	101018	Seat Upholstery Rigid/LFT 2016	1	\$92.70
4ar	101025	Seat Upholstery Rigid 2017	1	\$92.70
4as	101032	Seat Upholstery Rigid/LFT 2018	1	\$92.70

Item Number	Part Number	Description	Quantity	Retail
4at	101039	Seat Upholstery Rigid 2019	1	\$92.70
4au	101045	Seat Upholstery Rigid/LFT 2020	1	\$92.70