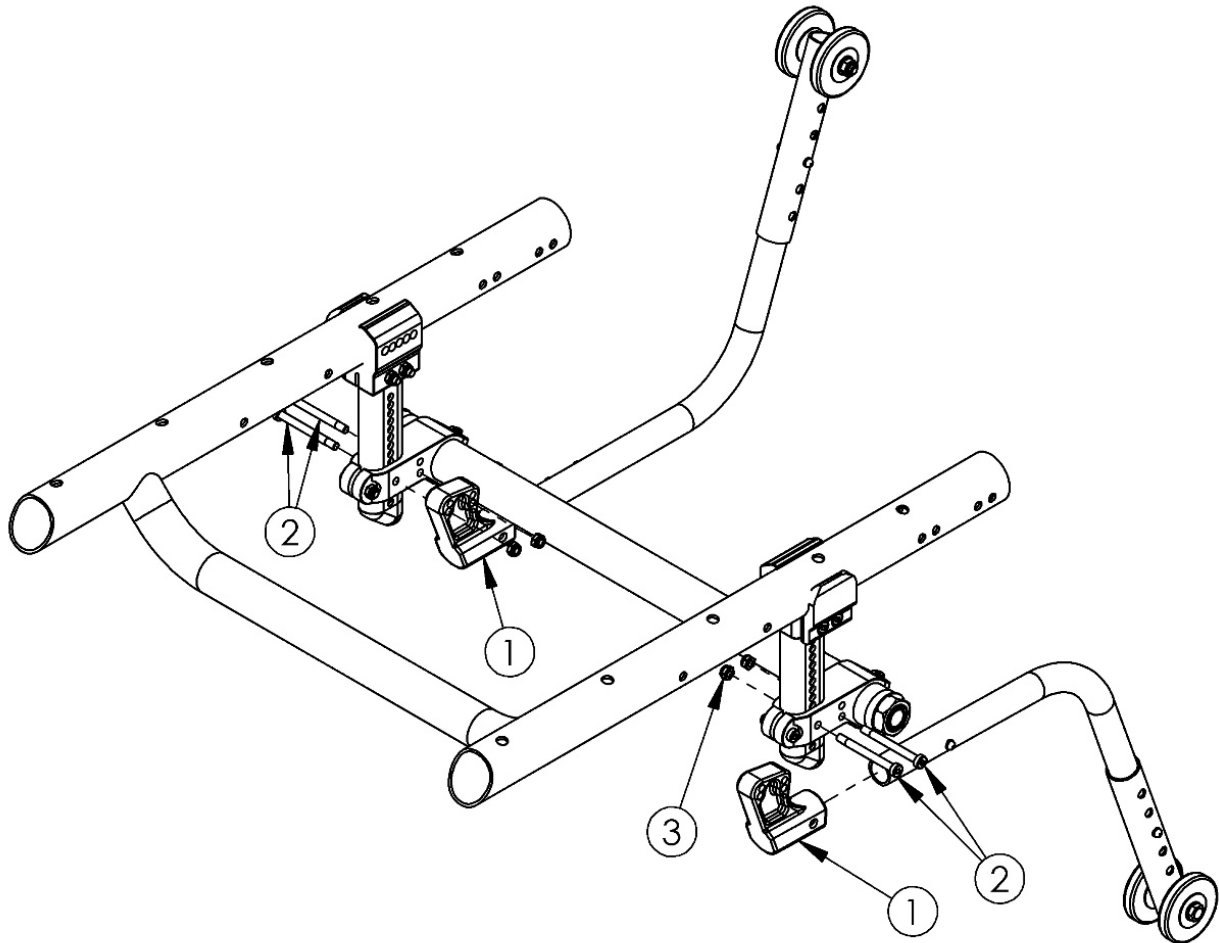


# Rogue and Little Wave Anti-Tip Receiver



Item Number	Part Number	Description	Quantity	Retail
1	000915	Anti Tip Receiver RG/LW	1	\$17.33
2	101172	M5 x 50 CLS8.8 DIN7984 Low SHCS BLKZC	2	\$2.00
3	100657	M5 Nylock Nut Blk Zn	2	\$0.50