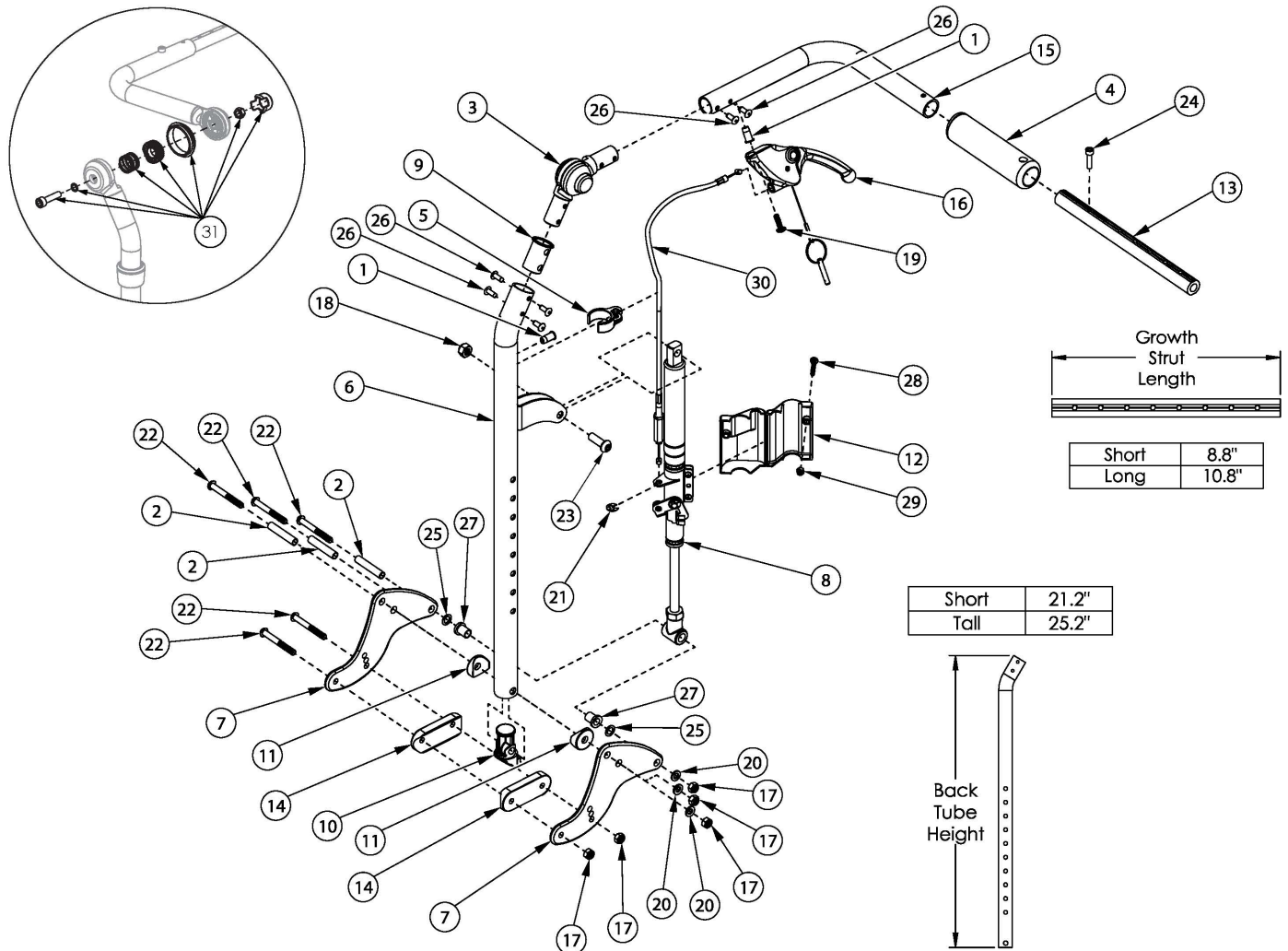


Focus CR Reclining Backrest



This design effective starting with serial numbers FCR0026599 and FCHD002333 <p>

If changing from another style backrest and the hand tilt is present, a new Hand Tilt Cable/Trigger Kit may be required.

Item Number	Part Number	Description	Quantity	Retail
1, 3, 4, 6a, 9, 15a, 26	506760	Recline Back Tube Subassembly, Short, Right	1	\$265.01
1, 3, 4, 6a, 9, 15b, 26	506761	Recline Back Tube Subassembly, Short, Left	1	\$265.01
1, 3, 4, 6b, 9, 15a, 26	506762	Recline Back Tube Subassembly, Tall, Right	1	\$267.47
1, 3, 4, 6b, 9, 15b, 26	506763	Recline Back Tube Subassembly, Tall, Left	1	\$267.47
2	001075	Stop Pin Backrest Tilt	3	\$6.61
5	001117	Cable Clip 1"	1	\$3.75
7a	001262	Back Plate, Recline Tilt	2	\$61.31

Item Number	Part Number	Description	Quantity	Retail
7b	001263	Back Plate, Recline, Transit Tilt	2	\$151.41
8a	001264	Gas Spring Lock 92mm 20kg, Left (Standard Weight Capacity)	1	\$149.21
8b	001265	Gas Spring Lock 92mm 20kg, Right (Standard Weight Capacity)	1	\$149.21
8c	001375	Gas Spring Lock 92mm 40kg, Left (Heavy Duty)	1	\$149.21
8d	001376	Gas Spring Lock 92mm 40kg, Right (Heavy Duty)	1	\$149.21
10	001267	Plug, Back Tube, Lower, Recline	1	\$2.16
11	001271	1" Saddle, .323 Hole	2	\$1.59
12a	001298	Cover, Gas Spring, Left	1	\$3.89
12b	001299	Cover, Gas Spring, Right	1	\$3.89
13a	002578	Growth Strut, Stroller, 10-20 Widths <i>Used on chairs 14"-17" wide</i>	1	\$25.22
13b	002579	Growth Strut, Stroller, 18-24 Widths <i>Used on chairs 18"-22" wide</i>	1	\$27.59
14	002594	Saddle, Dual, 1" OD X 1.75 SP	2	\$3.00
16	003492	Lever Assembly, Straight	1	\$24.46
17	100658	M6 Nylock Nut Blk Zn	5	\$1.03
18	100659	M8 Nylock Nut Blk Zn	1	\$1.03
19	100734	M5 x 16 PHMS ZC	1	\$1.55
20	100746	M6 Flat Washer Blk Zn	3	\$1.55
21	101076	1/4" E Ring	1	\$1.55
22	101781	M6 x 50mm Partial Thread BHCS Blk ZC	5	\$1.55
23	101814	M8 x 25 BHCS Blk Zn	1	\$1.03
24	101843	M5 x 20 SHCS Blk Zn	1	\$0.52
25	101861	Nylon Washer 5/16 x 1/2 x .03	2	\$0.52
27	102081	Bushing Flange .319 IDx.394 OD	2	\$0.55
28	102328	M4 x 25 Pan Head Phil Blk Zn	1	\$1.03
29	102329	M4 Nylock Nut Blk Zn	1	\$1.03
30a	004551	Cable, Recline, Short Tilt	1	\$88.48

Item Number	Part Number	Description	Quantity	Retail
30b	004552	Cable, Recline, Tall Tilt	1	\$89.89
1-5, 6a, 7a, 8a, 8b, 9-11, 12a, 12b, 13a, 14, 15a, 15b, 16-29, 30a	506764	Recline Back Kit, Short, 14-20" Width, Standard Gas Spring	1	\$1,393.57
1-5, 6a, 7a, 8a, 8b, 9-11, 12a, 12b, 13b, 14, 15a, 15b, 16-29, 30a	506765	Recline Back Kit, Short, 16-22" Width, Standard Gas Spring	1	\$1,398.49
1-5, 6b, 7a, 8a, 8b, 9-11, 12a, 12b, 13a, 14, 15a, 15b, 16-29, 30b	506766	Recline Back Kit, Tall, 14-20" Width, Standard Gas Spring	1	\$1,401.30
1-5, 6b, 7a, 8a, 8b, 9-11, 12a, 12b, 13b, 14, 15a, 15b, 16-29, 30b	506767	Recline Back Kit, Tall, 16-22" Width, Standard Gas Spring	1	\$1,406.21
1-5, 6a, 7a, 8c, 8d, 9-11, 12a, 12b, 13a, 14, 15a, 15b, 16-29, 30a	506768	Recline Back Kit, Short, 14-20" Width, Heavy Duty Gas Spring	1	\$1,393.57
1-5, 6a, 7a, 8c, 8d, 9-11, 12a, 12b, 13b, 14, 15a, 15b, 16-29, 30a	506769	Recline Back Kit, Short, 16-22" Width, Heavy Duty Gas Spring	1	\$1,398.49
1-5, 6b, 7a, 8c, 8d, 9-11, 12a, 12b, 13a, 14, 15a, 15b, 16-29, 30b	506770	Recline Back Kit, Tall, 14-20" Width, Heavy Duty Gas Spring	1	\$1,401.30
1-5, 6b, 7a, 8c, 8d, 9-11, 12a, 12b, 13b, 14, 15a, 15b, 16-29, 30b	506771	Recline Back Kit, Tall, 16-22" Width, Heavy Duty Gas Spring	1	\$1,406.21
1-5, 6a, 7b, 8a, 8b, 9-11, 12a, 12b, 13a, 14, 15a, 15b, 16-29, 30a	506772	Recline Back Kit, Short, 14-20" Width, Standard Gas Spring, Transit	1	\$1,414.39
1-5, 6a, 7b, 8a, 8b, 9-11, 12a, 12b, 13b, 14, 15a, 15b, 16-29, 30a	506773	Recline Back Kit, Short, 16-22" Width, Standard Gas Spring, Transit	1	\$1,419.31
1-5, 6b, 7b, 8a, 8b, 9-11, 12a, 12b, 13a, 14, 15a, 15b, 16-29, 30b	506774	Recline Back Kit, Tall, 14-20" Width, Standard Gas Spring, Transit	1	\$1,422.11

Item Number	Part Number	Description	Quantity	Retail
1-5, 6b, 7b, 8a, 8b, 9-11, 12a, 12b, 13b, 14, 15a, 15b, 16-29, 30b	506775	Recline Back Kit, Tall, 16-22" Width, Standard Gas Spring, Transit	1	\$1,427.03
1-5, 6a, 7b, 8c, 8d, 9-11, 12a, 12b, 13a, 14, 15a, 15b, 16-29, 30a	506776	Recline Back Kit, Short, 14-20" Width, Heavy Duty Gas Spring, Transit	1	\$1,414.39
1-5, 6a, 7b, 8c, 8d, 9-11, 12a, 12b, 13b, 14, 15a, 15b, 16-29, 30a	506777	Recline Back Kit, Short, 16-22" Width, Heavy Duty Gas Spring, Transit	1	\$1,419.31
1-5, 6b, 7b, 8c, 8d, 9-11, 12a, 12b, 13a, 14, 15a, 15b, 16-29, 30b	506778	Recline Back Kit, Tall, 14-20" Width, Heavy Duty Gas Spring, Transit	1	\$1,422.11
1-5, 6b, 7b, 8c, 8d, 9-11, 12a, 12b, 13b, 14, 15a, 15b, 16-29, 30b	506779	Recline Back Kit, Tall, 16-22" Width, Heavy Duty Gas Spring, Transit	1	\$1,427.03
2, 7a, 11, 14, 17, 20, 22, 25, 27	505857	Reclining Backrest Hardware Assembly (One Side), Std Focus	1	\$171.25
2, 7b, 11, 14, 17, 20, 22, 25, 27	505858	Reclining Backrest Hardware Assembly (One Side), Transit Focus	1	\$351.46