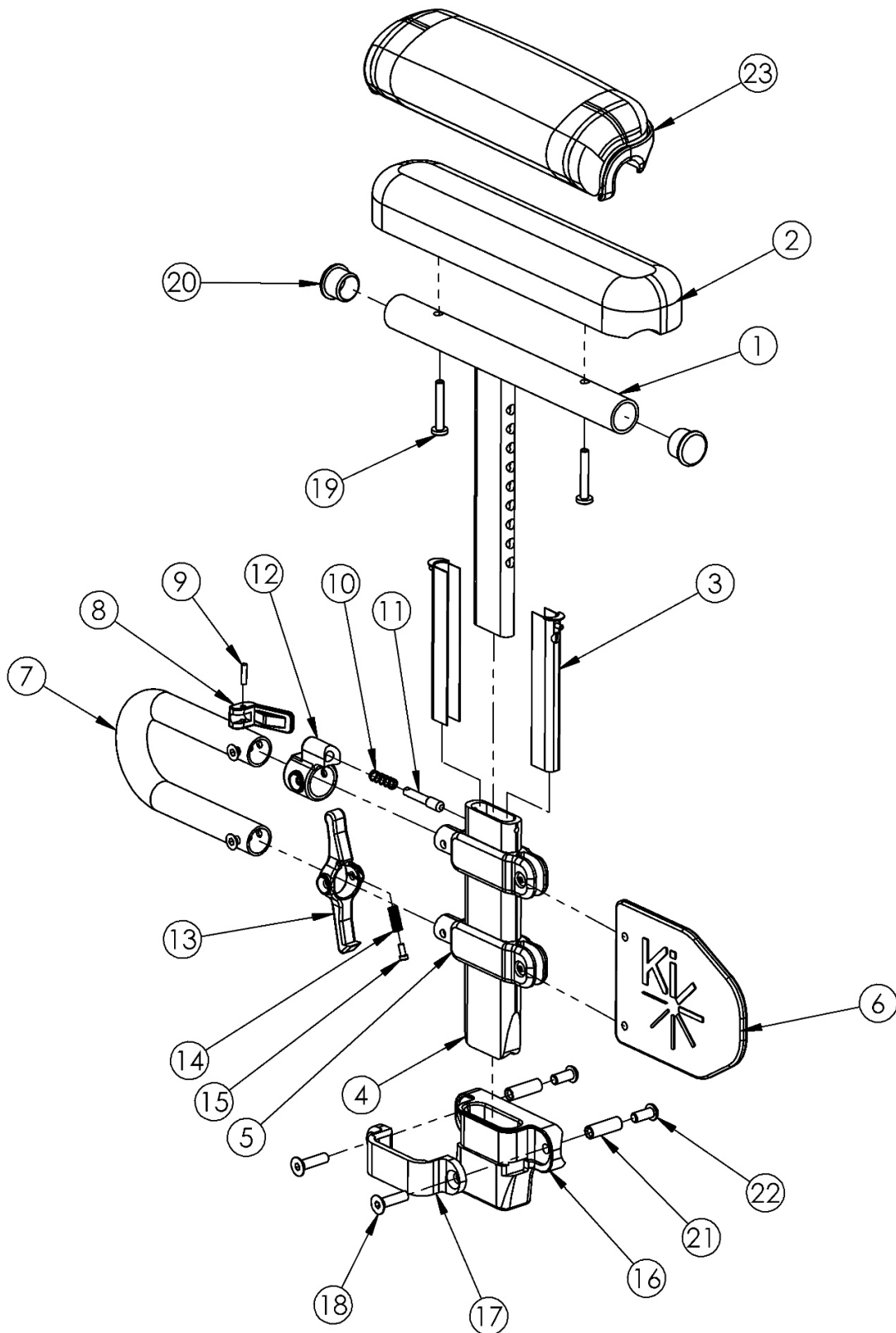


# Catalyst Height Adjustable Low T-Arm



Item Number	Part Number	Description	Quantity	Retail
1a, 3-15, 20	002681	Arm T Height Adj Low, Desk Right Assembly	1	\$131.38
1a, 3-15, 20	002682	Arm T Height Adj Low, Desk Left Assembly	1	\$131.38
1b, 3-15, 20	002683	Arm T Height Adj Low, Full Right Assembly	1	\$131.38
1b, 3-15, 20	002684	Arm T Height Adj Low, Full Left Assembly	1	\$131.38
1a, 2b, 3-15, 19a, 20	503167	Height Adj T-Arm Assm Low, Desk w/ Std Pad Right	1	\$209.80
1a, 2b, 3-15, 19a, 20	503168	Height Adj T-Arm Assm Low, Desk w/ Std Pad Left	1	\$209.80
1b, 2a, 3-15, 19a, 20	503169	Height Adj T-Arm Assm Low, Full w/ Std Pad Right	1	\$212.05
1b, 2a, 3-15, 19a, 20	503170	Height Adj T-Arm Assm Low, Full w/ Std Pad Left	1	\$212.05
1a, 3-15, 19b, 20, 23b	503183	Height Adj T-Arm Assm Low, Desk w/ Waterfall Pad Right	1	\$219.26
1a, 3-15, 19b, 20, 23b	503184	Height Adj T-Arm Assm Low, Desk w/ Waterfall Pad Left	1	\$219.26
1b, 3-15, 19b, 20, 23a	503185	Height Adj T-Arm Assm Low, Full w/ Waterfall Pad Right	1	\$221.49
1b, 3-15, 19b, 20, 23a	503186	Height Adj T-Arm Assm Low, Full w/ Waterfall Pad Left	1	\$221.49
16-18, 21, 22	501730	Height Adj T-Arm Receiver Assm 1" CAT	1	\$54.57
1a, 20	002648	Post Weldment, T-Arm, Low, Desk	1	\$65.76
1b, 20	002649	Post Weldment, T-Arm, Low, Full	1	\$67.99
2a	100500	Arm Pad Full	1	\$23.18
2b	100501	Arm Pad Desk	1	\$23.18
3	000090	Height Adj T Armrest Shim	2	\$2.50
4	002105	Tube, Outer, T-Arm, Low	1	\$29.04
5	000092	Height Adj T Armrest Clamp	2	\$8.79
6	002107	Sideguard, T-Arm, Low	1	\$7.94
7	002104	Transfer Tube, T-Arm, Low	1	\$16.48
8	000098	Height Adj Armrest Lever	1	\$3.51
9	200257	Dowel Pin 1/8 x 1/2	1	\$2.58
10	000134	Height Adj Armrest Lever Spring	1	\$1.09
11	000099	Height Adj Armrest Lever Pin	1	\$18.75
12	000096	Height Adj T Armrest Pin Lock Housing	1	\$14.42

Item Number	Part Number	Description	Quantity	Retail
8-12	500541	Arm Height Adj T Upper Lever Assembly	1	\$39.76
13	002106	Lever, T-Arm, Low	1	\$3.40
14	000135	Height Adj T Armrest Release Lever Spring	1	\$1.07
15	000152	Height Adj T Armrest Release Spring Button	1	\$1.07
16	000087	Height Adjustable T-Arm Receiver 1" CAT	1	\$14.95
17	000088	Height Adj T Armrest Bracket	1	\$26.88
18	100866	M6 x 20 CLS12.9 DIN7991 FSHCS Blk Zc w/Patch	2	\$2.58
19a	100696	M5 x 30mm PPH Capscrew <i>Used with Standard Arm Pads</i>	2	\$1.55
19b	100654	M5 x 40 DIN7985 PH Pan HD M/S ZC <i>Used with Waterfall Arm Pads</i>	2	\$1.55
20	100803	Tube End Plug 7/8"	2	\$1.55
21	000065	M6 x 23.68 Threaded Barrel	2	\$4.05
22	100667	M6 x 12 BTN SHCS BLKZC w/Patch	2	\$1.55
23a	102452	Waterfall Arm Pad Full	1	\$32.16
23b	102521	Waterfall Arm Pad Desk	1	\$32.16