



# Quickie ACCESS

July 2022

EIR14

**Mark For:**

**Submitting for:**

Quote

Order

Date: \_\_\_\_\_

PO#: \_\_\_\_\_

Dealer Acct #: \_\_\_\_\_

Dealer: \_\_\_\_\_

Dealer Contact: \_\_\_\_\_

Dealer Address: \_\_\_\_\_

Dealer City: \_\_\_\_\_ ST: \_\_\_\_\_ ZIP: \_\_\_\_\_

Dealer Phone: ( ) \_\_\_\_\_ Fax: ( ) \_\_\_\_\_

Confirmation Email: \_\_\_\_\_

Confirm Via:  Fax  Email

**ADDITIONAL SHIPPING INFORMATION**

Ship To: \_\_\_\_\_

Attention: \_\_\_\_\_

Address: \_\_\_\_\_

Address: \_\_\_\_\_

Ship To City: \_\_\_\_\_ ST: \_\_\_\_\_ ZIP: \_\_\_\_\_

Ship To Phone: ( ) \_\_\_\_\_ Fax: ( ) \_\_\_\_\_

The **HCPCS CODES** provided are based on code verification through PDAC or our interpretation of the code definitions.

The use of **HCPCS CODES** does not ensure coverage or payment. For coverage information, verify the appropriate payer's coverage policy.

✓	Option #	HCPCS	Definition	Price	✓	Option #	HCPCS	Definition	Price
---	----------	-------	------------	-------	---	----------	-------	------------	-------

**1. FRAME**

**Base Model**

<input type="checkbox"/>	208WM105	E1161	Quickie Access 14" sizes use E1233	\$3,150.00
<input type="checkbox"/>	208WM110	E1161	Quickie Access - Transit included 14" sizes use E1233	\$3,495.00

**Pre-Set Tilt Angle**

*Certain wheel combinations will limit the seat angle*

<input type="checkbox"/>	208TA11	E1161	-5° to 20° Degree Tilt	NC
<input type="checkbox"/>	208TA12	E1161	0° to 25° Degree Tilt	NC

**Tilt Release Options**

<input type="checkbox"/>	208TT8		Foot Release NA with 19"-22" Depth <input type="checkbox"/> Left <input type="checkbox"/> Right (Facing from rear)	NC
<input type="checkbox"/>	208TT12		Backrest trigger cable release	NC

**Transit**

<input type="checkbox"/>	208TO45		Transit Option	\$345.00
--------------------------	---------	--	----------------	----------

**Frame Options**

<input type="checkbox"/>	208FS23		Standard Base and Seat Frame (Maximum Weight: 300 lbs)	STD
--------------------------	---------	--	---	-----

**User's Weight**

*Gas spring selection depends User's weight selection.*

<input type="checkbox"/>	208WG26		Up to 150 lbs	NC
<input type="checkbox"/>	208WG27		151 - 180 lbs	NC
<input type="checkbox"/>	208WG28		181 - 210 lbs	NC
<input type="checkbox"/>	208WG29		211 - 240 lbs	NC
<input type="checkbox"/>	208WG30		241 - 270 lbs	NC
<input type="checkbox"/>	208WG31		271 - 300 lbs	NC



# ACCESS

✓ Option # HCPCS Definition Price ✓ Option # HCPCS Definition Price

**2. SIZE / SEATING**

**Frame Width**

21" & 22" NA w/ removable stroller handle extension or back upholsteries.

**Small Frame 14" - 16"**

<input type="checkbox"/>	208W5		14"		NC
<input type="checkbox"/>	208W6		15"		NC
<input type="checkbox"/>	208W7		16"		NC

**Large Frame 17" - 22"**

<input type="checkbox"/>	208W8		17"		NC
<input type="checkbox"/>	208W9		18"		NC
<input type="checkbox"/>	208W10		19"		NC
<input type="checkbox"/>	208W11	E2201	20"		\$537.00
<input type="checkbox"/>	208W12	E2201	21"		\$537.00
<input type="checkbox"/>	208W13	E2201	22"		\$537.00

**Seat Depth**

See **Figure 1** Dimension A for measurement

Foot release tilt option NA w/19"-22"

**Short 14" - 16"**

<input type="checkbox"/>	208SD7		14"		NC
<input type="checkbox"/>	208SD8		15"		NC
<input type="checkbox"/>	208SD9		16"		NC

**Medium 16" - 18"**

<input type="checkbox"/>	208SD9		16"		NC
<input type="checkbox"/>	208SD10		17"		NC
<input type="checkbox"/>	208SD11		18"		NC

**Long 18" - 20"**

<input type="checkbox"/>	208SD11		18"		NC
<input type="checkbox"/>	208SD12		19"		NC
<input type="checkbox"/>	208SD13	E2203	20"		\$590.00

**Extra Long 20" - 22"**

<input type="checkbox"/>	208SD13	E2203	20"		\$590.00
<input type="checkbox"/>	208SD14	E2203	21"		\$590.00
<input type="checkbox"/>	208SD33	E2204	22"		\$966.00

**Seat Type**

<input type="checkbox"/>	208ST35	E2231	Standard Seat Pan For growth ranges, see Figure 1.5	\$215.00
<input type="checkbox"/>	208ST54		Omit seat Pan	NC

**JAY Cushions (Optional)**

To order any JAY cushions on-chair, please see the JAY price list.

Cushion name or part number must be filled out with desired width and depth.

<input type="checkbox"/>	208JC20	JAY Bundled Cushion		Price List
		Cushion Name/Part #:		
		Width:	Depth:	

**Custom Seating**

Add potential NoGos with Custom Seating (pending review)

<input type="checkbox"/>	208QC01	JAY Custom (AES/JCF)		
<input type="checkbox"/>	208QC02	JAY Surefit		
<input type="checkbox"/>	208QC03	JAY Fit		

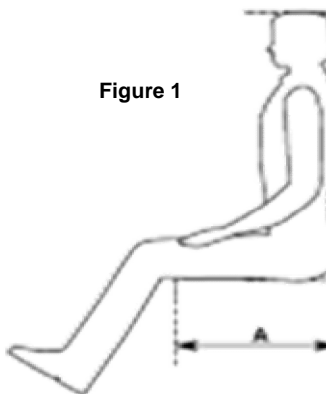


Figure 1

Frame Width	Seat Pan Growth
14"	14" - 16"
15"	15" - 16"
16"	16" - 18"
17"	17" - 18"
18"	18" - 20"
19"	19" - 20"
20"	20" - 22"
21"	21" - 22"
22"	NA

**3. CASTERS / SEAT HEIGHTS / REAR WHEELS**

**Front Seat Height**

12"-12.5" with 4" casters are limited to a 1.5" floor clearance.

Rear Wheel Size	CASTER SIZE							
	4"	5"	6"	7"	8" x 1"	8" x 1.5"	8" x 2"	
12" - 24"	<input type="checkbox"/> 12.0"	<input type="checkbox"/> 12.0"	<input type="checkbox"/> 12.0"					
	<input type="checkbox"/> 12.5"	<input type="checkbox"/> 12.5"	<input type="checkbox"/> 12.5"					
	<input type="checkbox"/> 13.0"	<input type="checkbox"/> 13.0"	<input type="checkbox"/> 13.0"	<input type="checkbox"/> 13.0"				
	<input type="checkbox"/> 13.5"	<input type="checkbox"/> 13.5"	<input type="checkbox"/> 13.5"	<input type="checkbox"/> 13.5"		<input type="checkbox"/> 13.5"	<input type="checkbox"/> 13.5"	
	<input type="checkbox"/> 14.0"	<input type="checkbox"/> 14.0"	<input type="checkbox"/> 14.0"	<input type="checkbox"/> 14.0"	<input type="checkbox"/> 14.0"			
	<input type="checkbox"/> 14.5"	<input type="checkbox"/> 14.5"	<input type="checkbox"/> 14.5"	<input type="checkbox"/> 14.5"		<input type="checkbox"/> 14.5"	<input type="checkbox"/> 14.5"	
	<input type="checkbox"/> 15.0"	<input type="checkbox"/> 15.0"	<input type="checkbox"/> 15.0"	<input type="checkbox"/> 15.0"	<input type="checkbox"/> 15.0"	<input type="checkbox"/> 15.0"	<input type="checkbox"/> 15.0"	
	<input type="checkbox"/> 15.5"	<input type="checkbox"/> 15.5"	<input type="checkbox"/> 15.5"	<input type="checkbox"/> 15.5"	<input type="checkbox"/> 15.5"	<input type="checkbox"/> 15.5"	<input type="checkbox"/> 15.5"	
	<input type="checkbox"/> 16.0"	<input type="checkbox"/> 16.0"	<input type="checkbox"/> 16.0"	<input type="checkbox"/> 16.0"	<input type="checkbox"/> 16.0"	<input type="checkbox"/> 16.0"	<input type="checkbox"/> 16.0"	
	<input type="checkbox"/> 16.5"	<input type="checkbox"/> 16.5"	<input type="checkbox"/> 16.5"	<input type="checkbox"/> 16.5"	<input type="checkbox"/> 16.5"	<input type="checkbox"/> 16.5"	<input type="checkbox"/> 16.5"	
	<input type="checkbox"/> 17.0"	<input type="checkbox"/> 17.0"	<input type="checkbox"/> 17.0"	<input type="checkbox"/> 17.0"	<input type="checkbox"/> 17.0"	<input type="checkbox"/> 17.0"	<input type="checkbox"/> 17.0"	
	<input type="checkbox"/> 17.5"	<input type="checkbox"/> 17.5"	<input type="checkbox"/> 17.5"	<input type="checkbox"/> 17.5"	<input type="checkbox"/> 17.5"	<input type="checkbox"/> 17.5"	<input type="checkbox"/> 17.5"	
	<input type="checkbox"/> 18.0"	<input type="checkbox"/> 18.0"	<input type="checkbox"/> 18.0"	<input type="checkbox"/> 18.0"	<input type="checkbox"/> 18.0"	<input type="checkbox"/> 18.0"	<input type="checkbox"/> 18.0"	
	<input type="checkbox"/> 18.5"	<input type="checkbox"/> 18.5"	<input type="checkbox"/> 18.5"	<input type="checkbox"/> 18.5"	<input type="checkbox"/> 18.5"	<input type="checkbox"/> 18.5"	<input type="checkbox"/> 18.5"	
	<input type="checkbox"/> 19.0"	<input type="checkbox"/> 19.0"	<input type="checkbox"/> 19.0"	<input type="checkbox"/> 19.0"	<input type="checkbox"/> 19.0"			
	<input type="checkbox"/> 19.5"	<input type="checkbox"/> 19.5"	<input type="checkbox"/> 19.5"	<input type="checkbox"/> 19.5"				
<input type="checkbox"/> 20.0"	<input type="checkbox"/> 20.0"	<input type="checkbox"/> 20.0"	<input type="checkbox"/> 20.0"		<input type="checkbox"/> 20.0"			

**Axle Plate**

<input type="checkbox"/>	208AL33	Standard Axle Plate	NC
--------------------------	---------	---------------------	----

**Castors**

<input type="checkbox"/>	208CW3	4" Low Profile Polyurethane N/A w/ HD package	NC
<input type="checkbox"/>	208CW72	4" x 1" Aluminum Polyurethane	\$118.00
<input type="checkbox"/>	208CW31	4" Micro Lighted	\$75.00
<input type="checkbox"/>	208CW53	5" x 1" Polyurethane	NC
<input type="checkbox"/>	208CW7	5" x 1.5" Semi Pneumatic	\$92.00
<input type="checkbox"/>	208CW45	6" x 1" Polyurethane	NC
<input type="checkbox"/>	208CW35	6" x 1.5" Semi Pneumatic	\$92.00
<input type="checkbox"/>	208CW16	7" Polyurethane	NC
<input type="checkbox"/>	208CW46	8" x 1" Polyurethane	NC
<input type="checkbox"/>	208CW39	8" x 1.5" Semi Pneumatic	\$92.00
<input type="checkbox"/>	208CW37	E2214 K0108 8" x 2" Pneumatic w/Insert	\$242.00

**Rear Wheel**

<input type="checkbox"/>	208RW13	12" Mag Wheel	NC
<input type="checkbox"/>	208RW14	16" Mag Wheel	NC
<input type="checkbox"/>	208RW51	24" Spoke Wheel	\$215.00
<input type="checkbox"/>	208RW103	20" Mag Wheel 5 Spoke	NC
<input type="checkbox"/>	208RW104	22" Mag Wheel 5 Spoke	NC
<input type="checkbox"/>	208RW102	24" Mag Wheel 5 Spoke	NC
<input type="checkbox"/>	208RW150	24" Drum brake wheel - 36 spokes	NC

**Rear Wheel Tire**

<input type="checkbox"/>	208RT3	Full Polyurethane	NC
<input type="checkbox"/>	208RT4	Low Polyurethane	NC
<input type="checkbox"/>	208RT1	E2211 E2212 Pneumatic	NC
<input type="checkbox"/>	208RT2	E2213 E2211 Pneumatic Airless Insert	\$92.00

**Rear Tire & Wheel Matrix**

Tire	Rear Wheel			
	5 Spoke Mag	Spoke	Mag Wheel	Drum Brake
Pneumatic	20,22,24	24	12,16	24
Pneumatic w/ Airless Insert	20,22,24	24	12,16	24
Full Poly	20,22,24	24	N/A	24
Low Poly	N/A	N/A	12	N/A

12" = 203mm 16" = 305mm 20" = 451mm 22" = 501mm 24" = 540mm

✓	Option #	HCPCS	Definition	Price	✓	Option #	HCPCS	Definition	Price
<b>3. CASTERS / SEAT HEIGHTS / REAR WHEELS (CONT)</b>									

Handrim			
<i>12" and 16" wheels not available with hand rims. See matrix for availability</i>			
<input type="checkbox"/>	208HR1		Aluminum Anodized NC
<input type="checkbox"/>	208HR4		Plastic Coated \$118.00
<input type="checkbox"/>	208HR22		Natural Fit - Standard Grip \$478.00
<input type="checkbox"/>	208HR23		Natural Fit - Super Grip \$532.00
<input type="checkbox"/>	208HR25		Natural Fit - No Thumb Grip \$414.00
<input type="checkbox"/>	208HR30		Natural Fit LT - Standard Grip \$478.00
<input type="checkbox"/>	208HR31		Natural Fit LT - Super Grip \$532.00
<input type="checkbox"/>	208HR32		Natural Fit LT - No Thumb Grip \$414.00
<input type="checkbox"/>	208HR7		Omit Handrim NC

Axle			
<input type="checkbox"/>	208AX1		Quick Release Axles NC
<input type="checkbox"/>	208AX17		Threaded Axles N/A w/ 24" spoke wheels & 5 Spoke Mags NC

Rear Wheel & Handrim Matrix
-----------------------------

Handrim	Rear Wheel		
	5 Spoke Mag	Spoke	Drum Brake
Aluminum Anodized	20,22,24	24	24
Plastic Coat	20,22,24	24	24
Natural Fit - Standard Grip	24	24	
Natural Fit - No Thumb Grip	24	24	
Natural Fit - Super Grip	24	24	
Natural Fit LT - Standard Grip	24	24	
Natural Fit LT - Super Grip	24	24	
Natural Fit LT - No Thumb Grip	24	24	

4. WHEEL LOCKS									
----------------	--	--	--	--	--	--	--	--	--

Wheel Lock			
<input type="checkbox"/>	208WL8		Push to Lock NC
<input type="checkbox"/>	208WL41	E2206	Attendant Wheel Lock (Foot Lock) NA w/ ext handles. NA w/ 19"-22" Depth. \$86.00
<input type="checkbox"/>	208WL79	E228	Drum Brake \$537.00
<input type="checkbox"/>	208WL10		Omit Wheel Lock NC

Extension Handle			
<input type="checkbox"/>	208EH7	E0961	6" Pair \$81.00

Hub Lock			
<i>Only available with smaller wheels</i>			
<input type="checkbox"/>	208LK01		12" Hub Lock \$107.00
<input type="checkbox"/>	208LK02		16" Hub Lock \$107.00

5. HANGER AND FOOTREST									
------------------------	--	--	--	--	--	--	--	--	--

Hangers			
<i>Footrests mount to extension tubes</i>			
<input type="checkbox"/>	208H145		60° Swing In/Swing Out NC
<input type="checkbox"/>	208H139		70° Swing In/Swing Out NC
<input type="checkbox"/>	208H141		80° Swing In/Swing Out NA w/ 8" casters NC
<input type="checkbox"/>	208H160	E0990	Elevating Hanger - Ext Mount. \$338.00
<input type="checkbox"/>	208H159	K0053	Articulating Hanger \$397.00
<input type="checkbox"/>	208H32		Omit Hanger -\$15.00

Footrest Options			
<input type="checkbox"/>	208HL1	E0951	Heel Loop \$43.00
<input type="checkbox"/>	208HL5	K0038	Leg Strap \$43.00
<input type="checkbox"/>	208IG2		Impact Guard Neoprene <i>Only available w/ 60° or 70° ext. mount hanger</i> \$97.00

Extension Tubes			
<input type="checkbox"/>	208E1		Short NC
<input type="checkbox"/>	208E2		Medium NA with 12.5" seat height NC
<input type="checkbox"/>	208E5		Long NA with 12.5" seat height NC
<input type="checkbox"/>	208E16		High Mount N/A with ELR/ALR hangers. <i>Only available with adult footplates</i> \$81.00

JAY Positioning			
<input type="checkbox"/>	208K3	E1020	Left JAY Lower Extremity S/A support \$424.00
		<input type="checkbox"/>	208K23 Pad 6" x 8" Left NC
		<input type="checkbox"/>	208K25 Pad 8" x 10" Left NC
<input type="checkbox"/>	208K4	E1020	Right JAY Lower Extremity S/A support \$424.00
		<input type="checkbox"/>	208K22 Pad 6" x 8" Right NC
		<input type="checkbox"/>	208K24 Pad 8" x 10" Right NC
<input type="checkbox"/>	208K2		Omit Hanger -\$15.00
		<input type="checkbox"/>	Left <input type="checkbox"/> Right

Footrest Footplates			
<i>Heel loop or leg strap not included, See Footplate Options Section</i>			
<input type="checkbox"/>	208F1		Composite STD
<input type="checkbox"/>	208F271	K0040 E0951	Composite Angle Adj-(16"-22"w) \$194.00
<input type="checkbox"/>	208F5		Aluminum <i>Only available w/ELR &amp; ALR</i> NC
<input type="checkbox"/>	208F3	K0040	Adult Angle Adjustable - Ext Mount \$204.00
<input type="checkbox"/>	208F7		Omit Footplate and Ext. Tube -\$15.00

Articulating / Elevating Hanger Cover			
<input type="checkbox"/>	208DI47		Neoprene Cover \$365.00
<input type="checkbox"/>	208DI48		Gel Pad Cover \$429.00

**6. BACKREST / SEATING**

**Backpost Style - (Choose ONE Option - A, B, C)**

A. Stroller Handle Backpost (Fixed)				A
<input type="checkbox"/>	208BP9	Low (18")	NC	
<input type="checkbox"/>	208BP10	Medium (21")	NC	
<input type="checkbox"/>	208BP11	Tall (24")	NC	

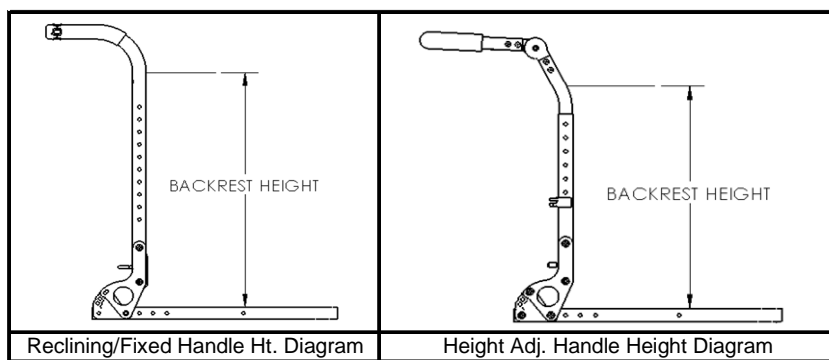
OR				B
B. Height Adjustable Back w/ Adj. Stroller Handles				
<b>Select desired Push Handle</b>				
<input type="checkbox"/>	208PH8	Standard Push Handle	NC	
<input type="checkbox"/>	208PH9	Long Push Handle	NC	
<b>AND select desired Back Cane</b>				
<input type="checkbox"/>	208B200	Standard 15"-21"	NC	
<input type="checkbox"/>	208B201	Tall 18"-24"	NC	

OR				C
C. Reclining Backrest (0-50°)				
<i>NA w/ 22" Deep Frame.</i>				
<input type="checkbox"/>	208BT21	E1225 Reclining Backrest	\$950.00	
		<input type="checkbox"/> 208B5 Medium	NC	
		<input type="checkbox"/> 208B9 Tall	NC	
<input type="checkbox"/>	208BP64	Angle Adj stroller handles Height adj range 19"- 23"	\$161.00	
		<input type="checkbox"/> 208PH8 Standard push handle	NC	
		<input type="checkbox"/> 208PH9 Long push handle	NC	

Backrest Options and Accessories			
<input type="checkbox"/>	208BP13	Removable Extension NA w/ 21"-22" frame width, height adj back with adj stroller handles	\$92.00
<input type="checkbox"/>	208BT101	Dynamic Backrest NA w/ Reclining Backrest or 19"-22" seat depths	\$1,605.00

JAY J3 Back			
<input type="checkbox"/>	208JB01	JAY J3 Back NA w/ O2 Holder	See OF

Backrest Upholstery			
<i>ONLY Available with Low Fixed, Medium Fixed, Standard Height Adjustable (15"-21" back height) stroller handles and in 14"-20" widths. N/A with Dynamic, Reclining Backrest, O2 holder, IV Pole, JAY Anterior Thoracic Support and JAY Padded Trunk Strap Accessories. Towel bar included. EXO Tension Adj upholstery binding is <b>Standard black</b>.</i>			
<input type="checkbox"/>	208BU70	E2611 Backrest Tension Adjust Ballistic *Reference 186BU70 for billing	\$338.00
<input type="checkbox"/>	208BU89	E2611 Backrest Tension Adj EXO *Reference 186BU70 for billing	\$355.00
Colors: <input type="checkbox"/> Silver <input type="checkbox"/> Orange <input type="checkbox"/> Red <input type="checkbox"/> Blue <span style="float: right;">\$15.00</span>			



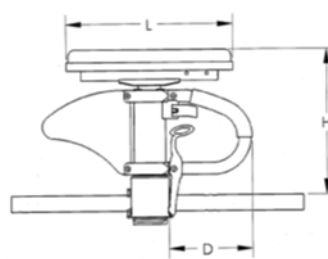
**7. ARMREST**

Armrest			
<input type="checkbox"/>	208AA65	E0973 Flip Back Height Adj (LITE 8.5"-13.5")	\$338.00
<input type="checkbox"/>	208AA11	E0973 Single Post Height Adjustable - Std	\$306.00
<input type="checkbox"/>	208AA29	E0973 Single Post Height Adjustable - Low	\$306.00
<input type="checkbox"/>	208AA7	E0973 Length Adjustable Locking Flip-Up NA w/ Contour Armpad	\$296.00
<input type="checkbox"/>	208AA1	E0973 Adjustable Locking Flip-Up	\$284.00
<input type="checkbox"/>	208AA14	Omit Armrest	NC

Armrest Receiver (Single Post Height Adjustable Only)			
<input type="checkbox"/>	208AR17	Low	NC
<input type="checkbox"/>	208AR18	Std	NC

Armpad			
<i>Ergo armpad only available with Single post Height adj armrest</i>			
<input type="checkbox"/>	208AM23	Desk Length Classic	NC
<input type="checkbox"/>	208AM21	Desk Length Contour	NC
<input type="checkbox"/>	208AM24	Full Length Classic	NC
<input type="checkbox"/>	208AM22	Full Length Contour	NC
<input type="checkbox"/>	208AM9	Foam Short <i>Option for Length</i> Adj Locking Flip Up	NC
<input type="checkbox"/>	208AM10	Foam Long <i>Option for Length</i> Adj Locking Flip Up	NC
<input type="checkbox"/>	208AM27	Ergo armpad	NC

Armrest Matrix for Single Post				
Armrest Size	Transfer Tube Length D	Receiver	Classic Pad	
			H Range	Pad length L Desk Full
Std	8"	Std	10-3/4" to 15-3/4"	10-1/4" 14"
		Low	8-3/4" to 13-3/4"	
Low	5-1/4"	Std	9" to 13"	10-1/2" 14-1/4"
		Low	7-1/4" to 11-1/4"	
Contour Pad				
Armrest Size	Transfer Tube Length D	Receiver	Pad length L Desk Full	
			H Range	Desk Full
Std	8"	Std	10" to 15"	10-1/2" 14-1/4"
		Low	8-1/4" to 13-1/4"	
Low	5-1/4"	Std	8-1/2" to 12-1/2"	11-3/4"
		Low	6-3/4" to 10-3/4"	
Ergo Pad				
Armrest Size	Transfer Tube Length D	Receiver	Pad length L	
			H Range	Desk Full
Std	8"	Std	10-1/2" to 15-1/2"	11-3/4"
		Low	8-3/4" to 13-3/4"	
Low	5-1/4"	Std	9" to 13"	11-3/4"
		Low	7-1/4" to 11-1/4"	



✓	Option #	HCPCS	Definition	Price	✓	Option #	HCPCS	Definition	Price
<b>8. KEY OPTIONS AND ACCESSORIES</b>									

Anti Tips				
-----------	--	--	--	--

Not ordered as separate line item.

<input type="checkbox"/>	208AT1	E0971	Anti Tips (Pair)	\$161.00
--------------------------	--------	-------	------------------	----------

Positioning Belt				
------------------	--	--	--	--

<input type="checkbox"/>	208ZZ25	E0978	JAY 2PT Belt 2" Push Btn No Pad	\$44.00
<input type="checkbox"/>	208ZZ26	E0978	JAY 2PT Belt 2" Push Btn 9.5" Pad	\$93.00
<input type="checkbox"/>	208ZZ14	E0978	JAY 2PT Belt 1.5" Push Btn No Pad	\$44.00
<input type="checkbox"/>	208ZZ15	E0978	JAY 2PT Belt 1.5" Push Btn 7.5" Pad	\$93.00
<input type="checkbox"/>	208A117	E0978	2" Aircraft Buckle w/Clamps	\$118.00
<input type="checkbox"/>	208A118	E0978	2" Aircraft Buckle Pad w/Clamp	\$128.00
<input type="checkbox"/>	208A120	K0108	Positioning Belt Clamps Only	\$54.00

Wheelchair Tray Table				
-----------------------	--	--	--	--

Only available if armrests are included. NA with JAY Arm Troughs.

<input type="checkbox"/>	208A30	E0950	Small (13"-14")	\$274.00
<input type="checkbox"/>	208A31	E0950	Medium (15"-17")	\$274.00
<input type="checkbox"/>	208A32	E0950	Large (18"-20")	\$274.00
<input type="checkbox"/>	208A33	E0950	X-Large (21"-22")	\$274.00

JAY Anterior Thoracic Support				
-------------------------------	--	--	--	--

**Style**

<input type="checkbox"/>	208JY01	E0960	Classic Dynamic	\$163.00
<input type="checkbox"/>	208JY02	E0960	Classic Structure	\$163.00
<input type="checkbox"/>	208JY03	E0960	Contour Dynamic	\$163.00
<input type="checkbox"/>	208JY04	E0960	Contour Structure	\$163.00
<input type="checkbox"/>	208JY05	E0960	Center Opening with Buckle	\$163.00

**Size**

<input type="checkbox"/>	208JZ01		Small	NC
<input type="checkbox"/>	208JZ02		Medium	NC
<input type="checkbox"/>	208JZ03		Large	NC
<input type="checkbox"/>	208JZ04		X-Large	NC

JAY Padded Trunk Strap				
------------------------	--	--	--	--

<input type="checkbox"/>	208JA01	E0960	Padded Trunk Strap - Small	\$152.00
<input type="checkbox"/>	208JA02	E0960	Padded Trunk Strap - Medium	\$152.00
<input type="checkbox"/>	208JA03	E0960	Padded Trunk Strap - Large	\$152.00
<input type="checkbox"/>	208JA04	E0960	Padded Trunk Strap - XL	\$152.00

Miscellaneous Accessories				
---------------------------	--	--	--	--

<input type="checkbox"/>	208A1		Black Utility Backpack	\$81.00
<input type="checkbox"/>	208A8		Black Seat Pouch	\$54.00
<input type="checkbox"/>	208LS14	K0038	Extra Leg Strap Black	\$33.00
<input type="checkbox"/>	208A601	E2208	O2 Holder NA w/ Height Adj Stroller Handles. NA w/ Reclining Backrest	\$172.00
<input type="checkbox"/>	208A701	K0105	IV Pole	\$296.00
<input type="checkbox"/>	208A999		Quickie Water Bottle & Holder	\$59.00

9. COLOR									
----------	--	--	--	--	--	--	--	--	--

Standard Frame Color					
----------------------	--	--	--	--	--

Color options only to available to hangers, seat tubes on seat. Front and back extensions on the base

<input type="checkbox"/>	208C140	Aztec Gold	NC	<input type="checkbox"/>	208C44	Glossy White	NC
<input type="checkbox"/>	208C2	Black	NC	<input type="checkbox"/>	208C126	Glow	NC
<input type="checkbox"/>	208C141	Black Cherry	NC	<input type="checkbox"/>	208C144	Green Apple	NC
<input type="checkbox"/>	208C10	Black Opal	NC	<input type="checkbox"/>	208C147	Hot Sparkle Pink	NC
<input type="checkbox"/>	208C38	Blue Opal	NC	<input type="checkbox"/>	208C148	Mauve Pink	NC
<input type="checkbox"/>	208C36	Candy Blue	NC	<input type="checkbox"/>	208C103	Rootbeer	NC
<input type="checkbox"/>	208C14	Candy Purple	NC	<input type="checkbox"/>	208C114	Sparkle Silver	NC
<input type="checkbox"/>	208C35	Candy Red	NC	<input type="checkbox"/>	208C145	Sunrise Orange	NC
<input type="checkbox"/>	208C142	Electric Blue	NC	<input type="checkbox"/>	208C113	Titanium	NC
<input type="checkbox"/>	208C143	Evergreen	NC	<input type="checkbox"/>	208C8	Yellow	NC

Matte Frame Color				
-------------------	--	--	--	--

<input type="checkbox"/>	208C116		Matte Black	NC
<input type="checkbox"/>	208C151		Matte Black Cherry	NC
<input type="checkbox"/>	208C150		Matte Electric Blue	NC
<input type="checkbox"/>	208C149		Matte Evergreen	NC
<input type="checkbox"/>	208C152		Matte Purple	NC

Personalized Frame Color				
--------------------------	--	--	--	--

<input type="checkbox"/>	208C112		Desert Camouflage	\$424.00
<input type="checkbox"/>	208C43		Mossy Oak Camouflage	\$424.00
<input type="checkbox"/>	208C42		Stars & Stripes	\$424.00
<input type="checkbox"/>	208C108		Zebra (Choose above base color) Std with White unless above base paint is chosen NA w/ Black	\$424.00

Anodized Color Package				
------------------------	--	--	--	--

Anodize package include Forks, axle plate, back plate.

<input type="checkbox"/>	208EB07		Black	NC
<input type="checkbox"/>	208EB08		Blue	\$172.00
<input type="checkbox"/>	208EB13		Gold	\$172.00
<input type="checkbox"/>	208EB09		Lime Green	\$172.00
<input type="checkbox"/>	208EB10		Purple	\$172.00
<input type="checkbox"/>	208EB11		Red	\$172.00
<input type="checkbox"/>	208EB12		Ti Grey	\$172.00

Additional Options Through Built for Me				
---	--	--	--	--

To inquire about any unique personalization for Quickie products, contact: Phone: (800) 333-4000, Fax: (800) 333 9011

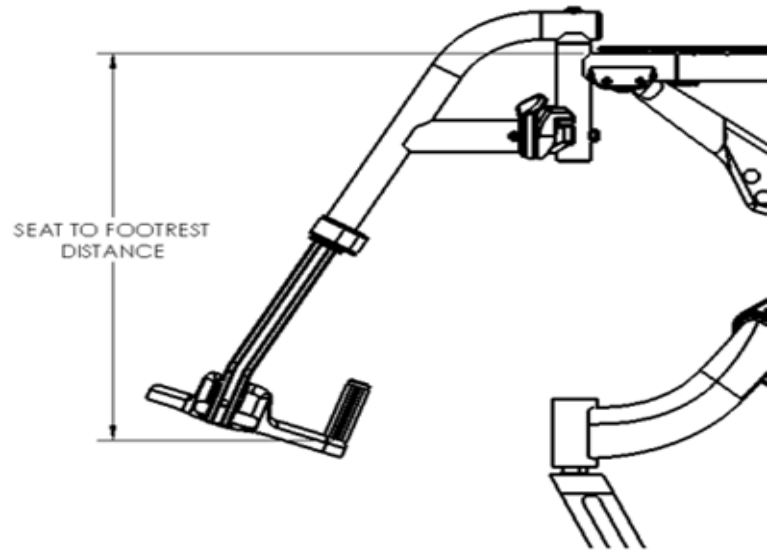


10. APPENDIX

Lower Leg Length Matrix

Front seat height must be at least 2" taller than lower leg length on all swing in/out hangers. Front seat height must be at least 2" taller than maximum lower leg length on all front mount hangers.

Hanger	Extension	Seat Pan to Top of Footrest	
		Min	Max
60° Swing In/Out	Short	8 1/2	14
	Med	8 1/2	15 1/2
	Long	9 1/2	17 1/2
70° Swing In/Out	Short	9 1/2	14 1/2
	Med	10	16 1/2
	Long	11 1/2	18 1/2
80° Swing In/Out	Short	10	14
	Med	13	16
	Long	13	18
ALR	Short	9	13
	Med	9	14 1/2
	Long	10	16 1/2
ELR	Short	9	13
	Medium	9	14 1/2
	Long	10	16 1/2



Sunrise Medical (US) LLC  
 2842 Business Park Ave. · Fresno, CA 93727 · USA



## JAY<sup>®</sup> Signature Series Backrest and Accessories

Note: Not all sizes and configurations shown below, for full offering visit [www.sunrisemedical.com](http://www.sunrisemedical.com)

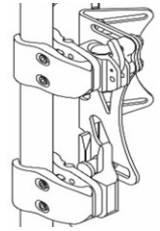
When ordering mark the part number desired and it will be added to the order as a separate line item .

### JAY BACKREST

#### JAY J3 Posterior (PA) BACK - 2.2" Contour Depth

	Shell Height	Shell Width										
		12"		14"		16"		18"		20"		
Mid Thoracic (MT)	12.0" (S)	J3PAMTSxxFS	<input type="checkbox"/>	\$623	<input type="checkbox"/>	\$623	<input type="checkbox"/>	\$623	<input type="checkbox"/>	\$623	<input type="checkbox"/>	\$623
		J3PAMTSxxTH	<input type="checkbox"/>	\$623	<input type="checkbox"/>	\$623	<input type="checkbox"/>	\$623	<input type="checkbox"/>	\$623	<input type="checkbox"/>	\$623
Upper Thoracic (UT)	16.5" (S)	J3PAUTSxxFS	<input type="checkbox"/>	\$623	<input type="checkbox"/>	\$623	<input type="checkbox"/>	\$623	<input type="checkbox"/>	\$623	<input type="checkbox"/>	\$623
		J3PAUTSxxTH	<input type="checkbox"/>	\$623	<input type="checkbox"/>	\$623	<input type="checkbox"/>	\$623	<input type="checkbox"/>	\$623	<input type="checkbox"/>	\$623
	18.0" (M)	J3PAUTMxxFS			<input type="checkbox"/>	\$623	<input type="checkbox"/>	\$623	<input type="checkbox"/>	\$623	<input type="checkbox"/>	\$623
		J3PAUTMxxTH			<input type="checkbox"/>	\$623	<input type="checkbox"/>	\$623	<input type="checkbox"/>	\$623	<input type="checkbox"/>	\$623
	19.5" (T)	J3PAUTTxxFS			<input type="checkbox"/>	\$623	<input type="checkbox"/>	\$623	<input type="checkbox"/>	\$623	<input type="checkbox"/>	\$623
		J3PAUTTxxTH			<input type="checkbox"/>	\$623	<input type="checkbox"/>	\$623	<input type="checkbox"/>	\$623	<input type="checkbox"/>	\$623
Shoulder Height (SH)	21.0" (S)	J3PASHSxxFS			<input type="checkbox"/>	\$623	<input type="checkbox"/>	\$623	<input type="checkbox"/>	\$623	<input type="checkbox"/>	\$623
		J3PASHSxxTH			<input type="checkbox"/>	\$623	<input type="checkbox"/>	\$623	<input type="checkbox"/>	\$623	<input type="checkbox"/>	\$623
	22.5" (M)	J3PASHMxxFS					<input type="checkbox"/>	\$623	<input type="checkbox"/>	\$623	<input type="checkbox"/>	\$623
		J3PASHMxxTH					<input type="checkbox"/>	\$623	<input type="checkbox"/>	\$623	<input type="checkbox"/>	\$623
	24.0" (T)	J3PASHTxxFS							<input type="checkbox"/>	\$623	<input type="checkbox"/>	\$623
		J3PASHTxxTH							<input type="checkbox"/>	\$623	<input type="checkbox"/>	\$623

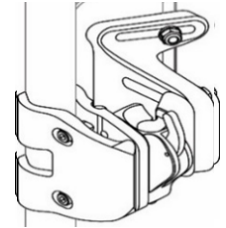
#### FS Mounting Hardware



#### JAY J3 Posterior Lateral (PL) BACK - 3" Contour Depth

	Shell Height	Shell Width										
		12"		14"		16"		18"		20"		
Mid Thoracic (MT)	15.0" (T)	J3PLMTTxxFS	<input type="checkbox"/>	\$719	<input type="checkbox"/>	\$719	<input type="checkbox"/>	\$719	<input type="checkbox"/>	\$719	<input type="checkbox"/>	\$719
		J3PLMTTxxTH	<input type="checkbox"/>	\$719	<input type="checkbox"/>	\$719	<input type="checkbox"/>	\$719	<input type="checkbox"/>	\$719	<input type="checkbox"/>	\$719
Upper Thoracic (UT)	16.5" (S)	J3PLUTSxxFS	<input type="checkbox"/>	\$719	<input type="checkbox"/>	\$719	<input type="checkbox"/>	\$719	<input type="checkbox"/>	\$719	<input type="checkbox"/>	\$719
		J3PLUTSxxTH	<input type="checkbox"/>	\$719	<input type="checkbox"/>	\$719	<input type="checkbox"/>	\$719	<input type="checkbox"/>	\$719	<input type="checkbox"/>	\$719
	18.0" (M)	J3PLUTMxxFS			<input type="checkbox"/>	\$719	<input type="checkbox"/>	\$719	<input type="checkbox"/>	\$719	<input type="checkbox"/>	\$719
		J3PLUTMxxTH			<input type="checkbox"/>	\$719	<input type="checkbox"/>	\$719	<input type="checkbox"/>	\$719	<input type="checkbox"/>	\$719
	19.5" (T)	J3PLUTTxxFS			<input type="checkbox"/>	\$719	<input type="checkbox"/>	\$719	<input type="checkbox"/>	\$719	<input type="checkbox"/>	\$719
		J3PLUTTxxTH			<input type="checkbox"/>	\$719	<input type="checkbox"/>	\$719	<input type="checkbox"/>	\$719	<input type="checkbox"/>	\$719
Shoulder Height (SH)	21.0" (S)	J3PLSHSxxFS			<input type="checkbox"/>	\$719	<input type="checkbox"/>	\$719	<input type="checkbox"/>	\$719	<input type="checkbox"/>	\$719
		J3PLSHSxxTH			<input type="checkbox"/>	\$719	<input type="checkbox"/>	\$719	<input type="checkbox"/>	\$719	<input type="checkbox"/>	\$719
	22.5" (M)	J3PLSHMxxFS					<input type="checkbox"/>	\$719	<input type="checkbox"/>	\$719	<input type="checkbox"/>	\$719
		J3PLSHMxxTH					<input type="checkbox"/>	\$719	<input type="checkbox"/>	\$719	<input type="checkbox"/>	\$719
	24.0" (T)	J3PLSHTxxFS							<input type="checkbox"/>	\$719	<input type="checkbox"/>	\$719
		J3PLSHTxxTH							<input type="checkbox"/>	\$719	<input type="checkbox"/>	\$719

#### TH Mounting Hardware



#### JAY J3 Posterior Deep (PD) BACK - 6" Contour Depth

Mid Thoracic (MT)	15.0" (T)	J3PDMTTxxFS	<input type="checkbox"/>	\$854	<input type="checkbox"/>	\$854	<input type="checkbox"/>	\$854	<input type="checkbox"/>	\$854	<input type="checkbox"/>	\$854
		J3PDMTTxxTH	<input type="checkbox"/>	\$854	<input type="checkbox"/>	\$854	<input type="checkbox"/>	\$854	<input type="checkbox"/>	\$854	<input type="checkbox"/>	\$854
Upper Thoracic (UT)	18.0" (M)	J3PDUTMxxFS			<input type="checkbox"/>	\$854	<input type="checkbox"/>	\$854	<input type="checkbox"/>	\$854	<input type="checkbox"/>	\$854
		J3PDUTMxxTH			<input type="checkbox"/>	\$854	<input type="checkbox"/>	\$854	<input type="checkbox"/>	\$854	<input type="checkbox"/>	\$854
Shoulder Height (SH)	21.0" (S)	J3PDSHSxxFS			<input type="checkbox"/>	\$854	<input type="checkbox"/>	\$854	<input type="checkbox"/>	\$854	<input type="checkbox"/>	\$854
		J3PDSHSxxTH			<input type="checkbox"/>	\$854	<input type="checkbox"/>	\$854	<input type="checkbox"/>	\$854	<input type="checkbox"/>	\$854

#### JAY J3 Back Whitmyer Headrest

##### AXYS Mount and Pad

<input type="checkbox"/>	J3HEDX8	E0955/E1028	AXYS Headrest with 8" Plush Pad	\$408.00
<input type="checkbox"/>	J3HEDX10	E0955/E1028	AXYS Headrest with 10" Plush Pad	\$408.00
<input type="checkbox"/>	J3HEDX14	E0955/E1028	AXYS Headrest with 14" Plush Pad	\$422.00
<input type="checkbox"/>	J3HEDXAAPN	E0955/E1028	AXYS with Adj-a-Plush Narrow Pad	\$515.00
<input type="checkbox"/>	J3HEDXAAPS	E0955/E1028	AXYS with Adj-a-Plush Std Pad	\$515.00

##### LINX Mount and Pad

<input type="checkbox"/>	J3HEDL8	E0955/E1028	LINX Headrest with 8" Plush Pad	\$474.00
<input type="checkbox"/>	J3HEDL10	E0955/E1028	LINX Headrest with 10" Plush Pad	\$474.00
<input type="checkbox"/>	J3HEDL14	E0955/E1028	LINX Headrest with 14" Plush Pad	\$487.00
<input type="checkbox"/>	J3HEDLAAPN	E0955/E1028	LINX with Adj-a-Plush Narrow Pad	\$580.00
<input type="checkbox"/>	J3HEDLAAPS	E0955/E1028	LINX with Adj-a-Plush Std Pad	\$580.00

#### JAY J3 Back Laterals Swing Away Laterals With Pad - Pair

<input type="checkbox"/>	JLATSA44PR	E0956/E1028	SwingAway Lat with 4"x4" Pad (PR)	\$836.00	<input type="checkbox"/>	JLATSA64PR	E0956/E1028	SwingAway Lat with 6"x4" Pad (PR)	\$836.00
<input type="checkbox"/>	JLATSA45PR	E0956/E1028	SwingAway Lat with 4"x5" Pad (PR)	\$836.00	<input type="checkbox"/>	JLATSA65PR	E0956/E1028	SwingAway Lat with 6"x5" Pad (PR)	\$836.00
<input type="checkbox"/>	JLATSA46PR	E0956/E1028	SwingAway Lat with 4"x6" Pad (PR)	\$836.00	<input type="checkbox"/>	JLATSA66PR	E0956/E1028	SwingAway Lat with 6"x6" Pad (PR)	\$836.00



# JAY<sup>®</sup> Signature Series Cushions

Note: Not all sizes and configurations shown below, for full offering visit [www.sunrisemedical.com](http://www.sunrisemedical.com).

When ordering mark the part number desired and it will be added to the order as a separate line item.

## JAY CUSHIONS

### JAY Fusion Cushion

<input type="checkbox"/>	JFUSION1416	E2622	JAY Fusion 14" x 16"	\$474.00
<input type="checkbox"/>	JFUSION1616	E2622	JAY Fusion 16" x 16"	\$474.00
<input type="checkbox"/>	JFUSION1618	E2622	JAY Fusion 16" x 18"	\$474.00
<input type="checkbox"/>	JFUSION1620	E2622	JAY Fusion 16" x 20"	\$474.00
<input type="checkbox"/>	JFUSION1717	E2622	JAY Fusion 17" x 17"	\$474.00
<input type="checkbox"/>	JFUSION1816	E2622	JAY Fusion 18" x 16"	\$474.00
<input type="checkbox"/>	JFUSION1818	E2622	JAY Fusion 18" x 18"	\$474.00
<input type="checkbox"/>	JFUSION1820	E2622	JAY Fusion 18" x 20"	\$474.00
<input type="checkbox"/>	JFUSION2018	E2622	JAY Fusion 20" x 18"	\$474.00
<input type="checkbox"/>	JFUSION2020	E2622	JAY Fusion 20" x 20"	\$474.00
<input type="checkbox"/>	JFUSION2220	E2623	JAY Fusion 22" x 20"	\$563.00

### JAY Fusion Cushion w/ Single Valve Air Insert

<input type="checkbox"/>	JFUSION1416AS	E2622	JAY Fusion 14" x 16"	\$532.00
<input type="checkbox"/>	JFUSION1616AS	E2622	JAY Fusion 16" x 16"	\$532.00
<input type="checkbox"/>	JFUSION1618AS	E2622	JAY Fusion 16" x 18"	\$532.00
<input type="checkbox"/>	JFUSION1620AS	E2622	JAY Fusion 16" x 20"	\$532.00
<input type="checkbox"/>	JFUSION1717AS	E2622	JAY Fusion 17" x 17"	\$532.00
<input type="checkbox"/>	JFUSION1816AS	E2622	JAY Fusion 18" x 16"	\$532.00
<input type="checkbox"/>	JFUSION1818AS	E2622	JAY Fusion 18" x 18"	\$532.00
<input type="checkbox"/>	JFUSION1820AS	E2622	JAY Fusion 18" x 20"	\$532.00
<input type="checkbox"/>	JFUSION2018AS	E2622	JAY Fusion 20" x 18"	\$532.00
<input type="checkbox"/>	JFUSION2020AS	E2622	JAY Fusion 20" x 20"	\$532.00
<input type="checkbox"/>	JFUSION2220AS	E2623	JAY Fusion 22" x 20"	\$621.00

### JAY Fusion Cushion w/ Dual Valve Air Insert

<input type="checkbox"/>	JFUSION1416AD	E2622	JAY Fusion 14" x 16"	\$537.00
<input type="checkbox"/>	JFUSION1616AD	E2622	JAY Fusion 16" x 16"	\$537.00
<input type="checkbox"/>	JFUSION1618AD	E2622	JAY Fusion 16" x 18"	\$537.00
<input type="checkbox"/>	JFUSION1620AD	E2622	JAY Fusion 16" x 20"	\$537.00
<input type="checkbox"/>	JFUSION1717AD	E2622	JAY Fusion 17" x 17"	\$537.00
<input type="checkbox"/>	JFUSION1816AD	E2622	JAY Fusion 18" x 16"	\$537.00
<input type="checkbox"/>	JFUSION1818AD	E2622	JAY Fusion 18" x 18"	\$537.00
<input type="checkbox"/>	JFUSION1820AD	E2622	JAY Fusion 18" x 20"	\$537.00
<input type="checkbox"/>	JFUSION2018AD	E2622	JAY Fusion 20" x 18"	\$537.00
<input type="checkbox"/>	JFUSION2020AD	E2622	JAY Fusion 20" x 20"	\$537.00
<input type="checkbox"/>	JFUSION2220AD	E2623	JAY Fusion 22" x 20"	\$626.00

### JAY Union Cushion

<input type="checkbox"/>	JU1416	E2607	JAY UNION 14" x 16"	\$478.00
<input type="checkbox"/>	JU1616	E2607	JAY UNION 16" x 16"	\$478.00
<input type="checkbox"/>	JU1618	E2607	JAY UNION 16" x 18"	\$478.00
<input type="checkbox"/>	JU1620	E2607	JAY UNION 16" x 20"	\$478.00
<input type="checkbox"/>	JU1717	E2607	JAY UNION 17" x 17"	\$478.00
<input type="checkbox"/>	JU1816	E2607	JAY UNION 18" x 16"	\$478.00
<input type="checkbox"/>	JU1818	E2607	JAY UNION 18" x 18"	\$478.00
<input type="checkbox"/>	JU1820	E2607	JAY UNION 18" x 20"	\$478.00
<input type="checkbox"/>	JU2018	E2607	JAY UNION 20" x 18"	\$478.00
<input type="checkbox"/>	JU2020	E2607	JAY UNION 20" x 20"	\$478.00
<input type="checkbox"/>	JU2220	E2608	JAY UNION 22" x 20"	\$585.00

### JAY Union Reduced Profile Cushion

<input type="checkbox"/>	JU1416RP	E2607	JAY Union RP 14" x 16"	\$478.00
<input type="checkbox"/>	JU1616RP	E2607	JAY Union RP 16" x 16"	\$478.00
<input type="checkbox"/>	JU1618RP	E2607	JAY Union RP 16" x 18"	\$478.00
<input type="checkbox"/>	JU1620RP	E2607	JAY Union RP 16" x 20"	\$478.00
<input type="checkbox"/>	JU1717RP	E2607	JAY Union RP 17" x 17"	\$478.00

### JAY J2 Cushion

<input type="checkbox"/>	2108-MJ	E2622	JAY J2 14" x 16"	\$482.00
<input type="checkbox"/>	2105-MJ	E2622	JAY J2 15.5" x 16"	\$482.00
<input type="checkbox"/>	2106-MJ	E2622	JAY J2 15.5" x 18"	\$482.00
<input type="checkbox"/>	2107-MJ	E2622	JAY J2 15.5" x 20"	\$509.00
<input type="checkbox"/>	2117-MJ	E2622	JAY J2 17" x 17"	\$482.00
<input type="checkbox"/>	2100-MJ	E2622	JAY J2 18" x 16"	\$482.00
<input type="checkbox"/>	2101	E2622	JAY J2 18" x 18"	\$482.00
<input type="checkbox"/>	2103-MJ	E2622	JAY J2 18" x 20"	\$510.00
<input type="checkbox"/>	2118-MJ	E2622	JAY J2 20" x 18"	\$510.00
<input type="checkbox"/>	2102-MJ	E2622	JAY J2 20" x 20"	\$590.00

### JAY J2 Deep Contour Cushion

<input type="checkbox"/>	2446	E2622	JAY J2 Deep Contour 14" x 16"	\$494.00
<input type="checkbox"/>	2466	E2622	JAY J2 Deep Contour 16" x 16"	\$494.00
<input type="checkbox"/>	2468	E2622	JAY J2 Deep Contour 16" x 18"	\$494.00
<input type="checkbox"/>	2460	E2622	JAY J2 Deep Contour 16" x 20"	\$505.00
<input type="checkbox"/>	2477	E2622	JAY J2 Deep Contour 17" x 17"	\$494.00
<input type="checkbox"/>	2486	E2622	JAY J2 Deep Contour 18" x 16"	\$494.00
<input type="checkbox"/>	2488	E2622	JAY J2 Deep Contour 18" x 18"	\$494.00
<input type="checkbox"/>	2480	E2622	JAY J2 Deep Contour 18" x 20"	\$516.00
<input type="checkbox"/>	2408	E2622	JAY J2 Deep Contour 20" x 18"	\$516.00
<input type="checkbox"/>	2400-MJ	E2622	JAY J2 Deep Contour 20" x 20"	\$623.00
<input type="checkbox"/>	2428	E2623	JAY J2 Deep Contour 22" x 18"	\$623.00

### JAY X2 Cushion

<input type="checkbox"/>	JX21416	E2622	JAY X2 14" x 16"	\$461.00
<input type="checkbox"/>	JX21616	E2622	JAY X2 16" x 16"	\$461.00
<input type="checkbox"/>	JX21618	E2622	JAY X2 16" x 18"	\$461.00
<input type="checkbox"/>	JX21620	E2622	JAY X2 16" x 20"	\$461.00
<input type="checkbox"/>	JX21717	E2622	JAY X2 17" x 17"	\$461.00
<input type="checkbox"/>	JX21816	E2622	JAY X2 18" x 16"	\$461.00
<input type="checkbox"/>	JX21818	E2622	JAY X2 18" x 18"	\$461.00
<input type="checkbox"/>	JX21820	E2622	JAY X2 18" x 20"	\$461.00
<input type="checkbox"/>	JX22020	E2622	JAY X2 20" x 20"	\$461.00

### JAY Ion Cushion

<input type="checkbox"/>	JION1416	E2607	JAY ION 14" x 16"	\$426.00
<input type="checkbox"/>	JION1616	E2607	JAY ION 16" x 16"	\$426.00
<input type="checkbox"/>	JION1618	E2607	JAY ION 16" x 18"	\$426.00
<input type="checkbox"/>	JION1620	E2607	JAY ION 16" x 20"	\$426.00
<input type="checkbox"/>	JION1717	E2607	JAY ION 17" x 17"	\$426.00
<input type="checkbox"/>	JION1816	E2607	JAY ION 18" x 16"	\$426.00
<input type="checkbox"/>	JION1818	E2607	JAY ION 18" x 18"	\$426.00
<input type="checkbox"/>	JION1820	E2607	JAY ION 18" x 20"	\$426.00
<input type="checkbox"/>	JION2018	E2607	JAY ION 20" x 18"	\$426.00
<input type="checkbox"/>	JION2020	E2607	JAY ION 20" x 20"	\$426.00
<input type="checkbox"/>	JION2220	E2608	JAY ION 22" x 20"	\$532.00

<input type="checkbox"/>	JU1816RP	E2607	JAY Union RP 18" x 16"	\$478.00
<input type="checkbox"/>	JU1818RP	E2607	JAY Union RP 18" x 18"	\$478.00
<input type="checkbox"/>	JU1820RP	E2607	JAY Union RP 18" x 20"	\$478.00
<input type="checkbox"/>	JU2018RP	E2607	JAY Union RP 20" x 18"	\$478.00
<input type="checkbox"/>	JU2020RP	E2607	JAY Union RP 20" x 20"	\$478.00