



# Zippie TS

## November 2015

EIZ1A

Date: _____	<b>SUBMITTING FOR:</b> <input type="checkbox"/> Quote <input type="checkbox"/> Order
Dealer Acct #: _____	
Dealer: _____	PO#: _____
Dealer Contact: _____	Ship To: _____
Dealer Address: _____	Attention: _____
Dealer City: _____ ST: _____ ZIP: _____	Address: _____
Dealer Phone: (    ) _____ Fax: (    ) _____	Address: _____
Confirm Via: <input type="checkbox"/> Fax <input type="checkbox"/> Email	Ship To City: _____ ST: _____ ZIP: _____
	Ship To Phone: (    ) _____ Fax: (    ) _____

Mark For: \_\_\_\_\_

*The HCPCS CODES provided are based on code verification through PDAC or our interpretation of the code definitions.  
The use of HCPCS CODES does not ensure coverage or payment. For coverage information, verify the appropriate payer's coverage policy.*

✓	Option #	HCPCS	Definition	Price	✓	Option #	HCPCS	Definition	Price
---	----------	-------	------------	-------	---	----------	-------	------------	-------

### ZIPPIE TS

#### 1. FRAME

*All Zippie TS models grow in width and depth.*

##### Base Models

<input type="checkbox"/>	187WM63	E1234	Folding Growing Zippie TS <b>Transit Included</b> (includes True Fit)	\$2,975.00
<input type="checkbox"/>	187WM65	E1234	Folding Growing Zippie TS <b>Transit Optional</b> (includes True Fit)	\$2,825.00
<input type="checkbox"/>	187WM64	E1233	Rigid Growing Zippie TS <b>Transit Included</b> (includes True Fit)	\$2,850.00
<input type="checkbox"/>	187WM66	E1233	Rigid Growing Zippie TS <b>Transit Optional</b> (includes True Fit)	\$2,700.00
<input type="checkbox"/>	187F02		Additional Rigid Strut Tube	NC

##### Transit System (For use when Transit Optional is selected)

*Tie Down Requires: Solid Seat and Solid Back or Growing Seat Pan and Jay Fit or Conventional Seat and Back or Growing Seat Pan and Solid Back or Jay Fit and/or Conventional Seat & Back*

<input type="checkbox"/>	187TO12	Transit Optional Seating (Req. Selection of Seat & Back)	\$250.00
<input type="checkbox"/>	187TO11	Transit Optional w/o Seating	\$250.00
<input type="checkbox"/>	187TO20	Transit Omit	N/C

##### Tilt Options

<input type="checkbox"/>	187TT12	Dual Trigger Cable Release	NC
<input type="checkbox"/>	187VZ01	Criss Cross Cables (cables are longer individually)	NC
<input type="checkbox"/>	187VZ02	Non Criss Cross	Std
<input type="checkbox"/>	187TT8	Cable Foot Release (may limit folding width)	NC

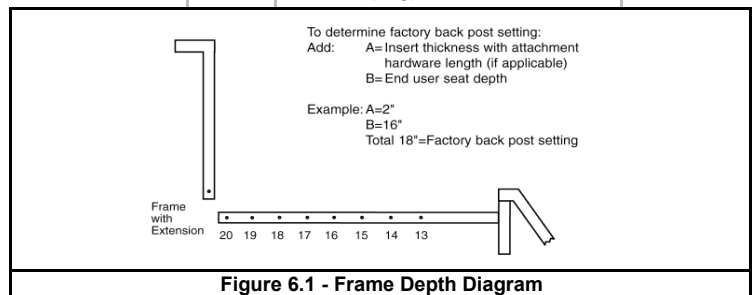
#### 2. SIZE/SEATING

##### Frame Width

<input type="checkbox"/>	<b>187W25</b>	<b>Small Cross Brace</b>	<b>NC</b>
<input type="checkbox"/>	187S1	10"	NC
<input type="checkbox"/>	187S2	11"	NC
<input type="checkbox"/>	187S3	12"	NC
<input type="checkbox"/>	<b>187W26</b>	<b>Medium Cross Brace</b>	<b>NC</b>
<input type="checkbox"/>	187S3	12"	NC
<input type="checkbox"/>	187S4	13"	NC
<input type="checkbox"/>	187S5	14"	NC
<input type="checkbox"/>	<b>187W27</b>	<b>Large Cross Brace</b>	<b>NC</b>
<input type="checkbox"/>	187S5	14"	NC
<input type="checkbox"/>	187S6	15"	NC
<input type="checkbox"/>	187S7	16"	NC
<input type="checkbox"/>	<b>187W28</b>	<b>X-Large Cross Brace</b>	<b>NC</b>
<input type="checkbox"/>	187S7	16"	NC
<input type="checkbox"/>	187S8	17"	NC
<input type="checkbox"/>	187S9	18"	NC

##### Frame Depth and Back Post Location

<input type="checkbox"/>	187FD4	13" Frame Depth	NC
<input type="checkbox"/>	187FD5	14" Frame Depth	NC
<input type="checkbox"/>	187FD6	15" Frame Depth	NC
<input type="checkbox"/>	187FD7	16" Frame Depth	NC
<input type="checkbox"/>	187FD8	17" Frame Depth	NC
<input type="checkbox"/>	187FD9	18" Frame Depth	NC
<input type="checkbox"/>	187FD10	19" Frame Depth (uses rear frame extension plug)	NC
<input type="checkbox"/>	187FD36	20" Frame Depth (uses rear frame extension plug)	NC



Mark For: \_\_\_\_\_

The **HCPCS CODES** provided are based on code verification through PDAC or our interpretation of the code definitions.  
 The use of **HCPCS CODES** does not ensure coverage or payment. For coverage information, verify the appropriate payer's coverage policy.

✓	Option #	HCPCS	Definition	Price	✓	Option #	HCPCS	Definition	Price
---	----------	-------	------------	-------	---	----------	-------	------------	-------

**2. SIZE/SEATING CONT.**

**Seats**

<input type="checkbox"/>	187ST55	E2231	Solid Seat (Req. Solid Back) Not avail. w/10"13" W x 19" and 20" Frame Depth or 17"-18" W x 13"-17" Frame Depth.	\$200.00
<input type="checkbox"/>	187ST14	E2231	Growing Seat Pan Depth (Fig. 7.1)	\$200.00
<input type="checkbox"/>	187ST5		Omit Seat	Std

**JAY Cushions (Optional)**

To order any JAY cushions on-chair, please see the JAY price list. Cushion name or part number must be filled out with desired width and depth.

<input type="checkbox"/>		JAY Bundled Cushion		Price List
187JC20	Name / Part #			
	Width:	Depth:		

**REFERENCE ONLY**

Seat Depth Pan Size	Depth Range	
	Minimum	Maximum
Medium 13"-14"	11 3/4"	16 1/4"
Long 15"-17"	13 3/4"	18 1/4"
X-Long 18"-20"	15 3/4"	20 1/4"

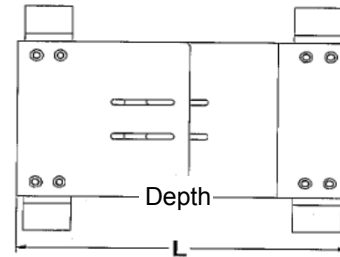


Figure 7.1 - Frame Depth Growth Range Matrix

**3. CASTERS**

**Caster Wheel**

Some interference may occur when choosing 8" Caster W Z-finity

<input type="checkbox"/>	187CW30		3" Micro Light Up	\$65.00
<input type="checkbox"/>	187CW31		4" Micro Light Up	\$70.00
<input type="checkbox"/>	187CW51		5" Micro Light Up	\$85.00
<input type="checkbox"/>	187CW5		5" Low-Profile Polyurethane	STD
<input type="checkbox"/>	187CW7		5" x 1.5" Semi-Pneumatic	\$85.00
<input type="checkbox"/>	187CW33	E2214 E2215	6" Pneumatic	\$75.00
<input type="checkbox"/>	187CW34		6" Polyurethane	NC
<input type="checkbox"/>	187CW35		6" x 1.5" Semi-Pneumatic	\$85.00
<input type="checkbox"/>	187CW21	E2214 E2215	8" Pneumatic	\$75.00
<input type="checkbox"/>	187CW32		8" Polyurethane	NC
<input type="checkbox"/>	187CW39		8" x 1.5" Semi-Pneumatic	\$85.00
<input type="checkbox"/>	187CW36	E2214 E2215	8" x 2" Pneumatic	\$145.00
<input type="checkbox"/>	187CW37	E2214 K0108	8" x 2" Pneumatic w/Airless Insert	\$225.00

**Caster Options**

<input type="checkbox"/>	187CS3	K0073	Caster Pin Locks (Not available with 8" x 2" and 8" x 1.5" casters)	\$195.00
--------------------------	--------	-------	---	----------

**CASTER SIZE**

Rear Wheel Size	CASTER SIZE							
	<input type="checkbox"/> 3	<input type="checkbox"/> 4	<input type="checkbox"/> 5	<input type="checkbox"/> 6	<input type="checkbox"/> 8x1	<input type="checkbox"/> 8x 1.5	<input type="checkbox"/> 8x2	
<input type="checkbox"/> 12	<input type="checkbox"/> 17.0	<input type="checkbox"/> 16.5	<input type="checkbox"/> 16.5	<input type="checkbox"/> 17.0				
	<input type="checkbox"/> 17.5	<input type="checkbox"/> 17.0	<input type="checkbox"/> 17.0	<input type="checkbox"/> 17.5				
<input type="checkbox"/> 12 Low Poly	<input type="checkbox"/> 17.5	<input type="checkbox"/> 17.5	<input type="checkbox"/> 17.5		<input type="checkbox"/> 18.5	<input type="checkbox"/> 18.0	<input type="checkbox"/> 18.5	
	<input type="checkbox"/> 16.0	<input type="checkbox"/> 16.0	<input type="checkbox"/> 16.0	<input type="checkbox"/> 16.5	N/A	N/A	N/A	
<input type="checkbox"/> 16	<input type="checkbox"/> 15.5	<input type="checkbox"/> 15.5	<input type="checkbox"/> 15.5					
	<input type="checkbox"/> 18.0	<input type="checkbox"/> 18.0	<input type="checkbox"/> 18.0	<input type="checkbox"/> 18.0	<input type="checkbox"/> 18.5	<input type="checkbox"/> 18.0	<input type="checkbox"/> 18.5	
<input type="checkbox"/> 18	<input type="checkbox"/> 18.5	<input type="checkbox"/> 18.5	<input type="checkbox"/> 18.5	<input type="checkbox"/> 18.5	<input type="checkbox"/> 19.0	<input type="checkbox"/> 18.5		
	<input type="checkbox"/> 15.5	<input type="checkbox"/> 15.5	<input type="checkbox"/> 15.5					
<input type="checkbox"/> 18	<input type="checkbox"/> 16.0	<input type="checkbox"/> 16.0	<input type="checkbox"/> 16.0	<input type="checkbox"/> 16.5	N/A	N/A	N/A	
	<input type="checkbox"/> 16.5	<input type="checkbox"/> 16.5	<input type="checkbox"/> 16.5					
<input type="checkbox"/> 20	<input type="checkbox"/> 15.5	<input type="checkbox"/> 15.5	<input type="checkbox"/> 15.5		18.5	18.0	18.5	
	<input type="checkbox"/> 16.0	<input type="checkbox"/> 16.0	<input type="checkbox"/> 16.0					
<input type="checkbox"/> 20	<input type="checkbox"/> 16.5	<input type="checkbox"/> 16.5	<input type="checkbox"/> 16.5	<input type="checkbox"/> 16.5				
	<input type="checkbox"/> 17.0	<input type="checkbox"/> 17.0	<input type="checkbox"/> 17.0	<input type="checkbox"/> 17.0				
<input type="checkbox"/> 20	<input type="checkbox"/> 17.5	<input type="checkbox"/> 17.5	<input type="checkbox"/> 17.5	<input type="checkbox"/> 17.5				
	<input type="checkbox"/> 18.0	<input type="checkbox"/> 18.0	<input type="checkbox"/> 18.0	<input type="checkbox"/> 18.0				
<input type="checkbox"/> 22	<input type="checkbox"/> 18.5	<input type="checkbox"/> 18.5	<input type="checkbox"/> 18.5	<input type="checkbox"/> 18.5	<input type="checkbox"/> 18.5	<input type="checkbox"/> 18.5	<input type="checkbox"/> 19.0	
	<input type="checkbox"/> 19.0	<input type="checkbox"/> 19.0	<input type="checkbox"/> 19.0	<input type="checkbox"/> 19.0	<input type="checkbox"/> 19.5			
<input type="checkbox"/> 24	<input type="checkbox"/> 17.0							
	<input type="checkbox"/> 17.5	<input type="checkbox"/> 17.5	<input type="checkbox"/> 17.5	<input type="checkbox"/> 17.5				
<input type="checkbox"/> 24	<input type="checkbox"/> 18.0	<input type="checkbox"/> 18.0	<input type="checkbox"/> 18.0	<input type="checkbox"/> 18.0		<input type="checkbox"/> 18.0		
	<input type="checkbox"/> 18.5	<input type="checkbox"/> 18.5	<input type="checkbox"/> 18.5	<input type="checkbox"/> 18.5	<input type="checkbox"/> 18.5	<input type="checkbox"/> 18.5	<input type="checkbox"/> 18.5	
<input type="checkbox"/> 24		<input type="checkbox"/> 19.0	<input type="checkbox"/> 19.0	<input type="checkbox"/> 19.0	<input type="checkbox"/> 19.0	<input type="checkbox"/> 19.0	<input type="checkbox"/> 19.0	
			<input type="checkbox"/> 19.5	<input type="checkbox"/> 19.5	<input type="checkbox"/> 19.5	<input type="checkbox"/> 19.5	<input type="checkbox"/> 20.0	
<input type="checkbox"/> 24			<input type="checkbox"/> 20.0	<input type="checkbox"/> 20.0	<input type="checkbox"/> 20.0	<input type="checkbox"/> 20.0		

Chart A - Seat to Floor Height Matrix

Note: Rear seat-to-floor ht. may be up to 1.5" lower than front seat-to-floor ht.

Mark For: \_\_\_\_\_

The **HCPCS CODES** provided are based on code verification through PDAC or our interpretation of the code definitions.  
 The use of **HCPCS CODES** does not ensure coverage or payment. For coverage information, verify the appropriate payer's coverage policy.

✓	Option #	HCPCS	Definition	Price	✓	Option #	HCPCS	Definition	Price
---	----------	-------	------------	-------	---	----------	-------	------------	-------

**4. REAR WHEELS / SEAT HEIGHT**

**Rear Wheel Size**

<input type="checkbox"/>	187RW13		12" Mag (Not available with handrims)	STD
<input type="checkbox"/>	187RW14		16" Mag (Not available with handrims)	NC
<input type="checkbox"/>	187RW3		20" Mag	NC
<input type="checkbox"/>	187RW8		22" Mag	NC
<input type="checkbox"/>	187RW1		24" Mag	NC
<input type="checkbox"/>	187RW12		18" Spoke	\$100.00
<input type="checkbox"/>	187RW90		20" Lite Spoke	\$200.00
<input type="checkbox"/>	187RW91		22" Lite Spoke	\$200.00
<input type="checkbox"/>	187RW54		24" Lite Spoke	\$100.00

**Rear Wheel Tire**

<input type="checkbox"/>	187RT1	E2211 E2212	Pneumatic	NC
<input type="checkbox"/>	187RT2	E2211 E2213	Pneumatic Airless Insert	\$80.00
<input type="checkbox"/>	187RT3	E2218	Full Polyurethane (Not avail.w/ 12", 16" and 18" rear wheels)	NC
<input type="checkbox"/>	187RT4		Low Polyurethane (Only available with 12" or 24" wheels)	NC
<input type="checkbox"/>	187RT6	E2211 E2212	High Pressure Clincher (Only available with 24" spoke wheels)	\$95.00

**Handrim**

<input type="checkbox"/>	187HR1		Aluminum Anodized	NC
<input type="checkbox"/>	187HR4		Plastic Coated	\$95.00
<input type="checkbox"/>	187HR7		Omit (Not available with wheel/axle credit)	NC

**Projections (Not Available on Plastic Coated)**

\*Only available with 24" wheels & not available with spoke guards.

<input type="checkbox"/>	187HR8		8 Oblique	\$325.00
--------------------------	--------	--	-----------	----------

**Axle**

<input type="checkbox"/>	187AX26		One Arm Drive Axle (Only avail. w/One Arm Drive Option)	STD
<input type="checkbox"/>	187AX1		Quick Release	NC
<input type="checkbox"/>	187AX11		Quad Quick Release (not available with Lite Spokes)	\$125.00

**Axle Plate**

<input type="checkbox"/>	187AL18		12" Rear Wheel Axle Plate (Only avail. w/12" or 16" rear wheels)	STD
<input type="checkbox"/>	187AL34		Short Adjustable (Not available with 12" rear wheels)	NC
<input type="checkbox"/>	187AL35		Long Adjustable (Not available with 12" rear wheels)	NC
<input type="checkbox"/>	187AL17	E0958	One Arm Drive (Avail. w/ 20", 22", 24" Mag Rear Wheels & 13"-18" width)	\$850.00
<input type="checkbox"/>	187OA2		<b>Standard Handrim</b>	NC
<input type="checkbox"/>	187HM1		Right	NC
<input type="checkbox"/>	187HM2		Left	NC
<input type="checkbox"/>	187OA1		<b>Small Handrim</b> (not avail w/ 20" wheels)	NC
<input type="checkbox"/>	187HM1		Right	NC
<input type="checkbox"/>	187HM2		Left	NC

**5. WHEEL LOCK / HUB LOCK**

**Wheel Lock**

Not available with Hub Lock

<input type="checkbox"/>	187WL1		High Mount Push	NC
<input type="checkbox"/>	187WL2		High Mount Pull	NC
<input type="checkbox"/>	187WL25		Foot Lock (may limit folding width)	NC
<input type="checkbox"/>	187WL10		Omit	NC

**Extension Handle**

<input type="checkbox"/>	187EH1	E0961	6" Pair	\$75.00
--------------------------	--------	-------	---------	---------

**Hub Lock**

\*Only available with 12" or 16" wheels. Not avail. w/ one arm drive.

<input type="checkbox"/>	187LK01		12" Hub Lock	\$100.00
<input type="checkbox"/>	187LK02		16" Hub Lock	\$100.00

Mark For:

The HCPCS CODES provided are based on code verification through PDAC or our interpretation of the code definitions.  
The use of HCPCS CODES does not ensure coverage or payment. For coverage information, verify the appropriate payer's coverage policy.

✓	Option #	HCPCS	Definition	Price	✓	Option #	HCPCS	Definition	Price
---	----------	-------	------------	-------	---	----------	-------	------------	-------

**6. FOOTRESTS**

**Hanger Mounted Footrest (Footplates Mount to Hanger Tubing)**

<b>Hanger Type</b>			
<input type="checkbox"/>	187H140		70° Swing In/Out Front Mount NC
<input type="checkbox"/>	187H142		80° Swing In/Out Front Mount NC
<input type="checkbox"/>	187H158		90° Swing In/Out Front Mount NC
<input type="checkbox"/>	187H9		70° Hvy Dty Fnt Mount Lift-Off NC
<input type="checkbox"/>	187H10		80° Hvy Dty Fnt Mount Lift-Off NC
<input type="checkbox"/>	187H11		90° Hvy Dty Fnt Mount Lift-Off NC
<input type="checkbox"/>	187H161	E0990	90° Elevating (not avail w/ 10"-11" Wide or Z-finity) \$295.00

<b>Extensions (may interfere with some seat heights &amp; casters)</b>			
<input type="checkbox"/>	187E23		2" (not mounted) \$55.00
<input type="checkbox"/>	187E24		4" (not mounted) \$55.00

<b>Footplate</b>			
<input type="checkbox"/>	187F9	K0040	Kids Angle Adjustable (not avail. w/17"-18" widths) \$185.00
<input type="checkbox"/>	187F8	K0040	Adult Angle Adj. (Available with 10"-18" widths) \$185.00
<input type="checkbox"/>	187F62	K0040	Footboard (Available with 10"-16" widths) \$185.00

**Ext. Tube Mounted Footrests (Footplates Mount to Ext. Tube)**

<b>Hanger Type</b>			
<input type="checkbox"/>	187H145		60° Swing In/Out NC
<input type="checkbox"/>	187H139		70° Swing In/Out STD
<input type="checkbox"/>	187H141		80° Swing In/Out STD
<input type="checkbox"/>	187H159	K0053	Articulating (not avail w/ 10"-13" composite footplates.) \$350.00
<input type="checkbox"/>	187H160	E0990	Elevating (Not avail. w/ composite or platform footplates, or <16" width) \$295.00

<b>Extensions</b>			
<input type="checkbox"/>	187E1		Short (11.5" - 14") NC
<input type="checkbox"/>	187E2		Med (14" - 17") Not avail. w/ ELR NC
<input type="checkbox"/>	187E5		Long (17" - 19") NC
<input type="checkbox"/>	187E16	K0037	High Mount \$55.00

<b>Footplate</b>			
<input type="checkbox"/>	187F1		Composite (not avail. In 10", 11" or 12" width) STD
<input type="checkbox"/>	187F3	K0040	Aluminum Angle Adjustable \$185.00
<input type="checkbox"/>	187F4	K0040	Kids Angle Adjustable (not avail. w/17"-18" width) \$185.00
<input type="checkbox"/>	187F5		Aluminum (Only available with elevating legrests 14"-18") NC
<input type="checkbox"/>	187F48	K0040	Platform Flip-Up (Avail on 60° 70° and 80° ext. mount hangers only) \$190.00

**NEW!**

**Z-finity Hangers/Footrest System**

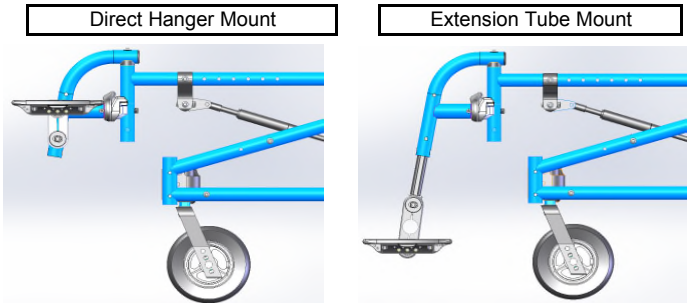
Some interference may exist in certain configurations.

<input type="checkbox"/>	187H162		Z-finity Hanger	STD
<b>Z-finity Footrest Mount (Must Chose see Illustration in appendix)</b>				
<input type="checkbox"/>	187DI22		Direct Hanger Mt/Fixed Frame - High	NC
<input type="checkbox"/>	187DI23		Direct Hanger Mt/Fixed Frame - Low	NC
<input type="checkbox"/>	187DI24		Extension Tube Mount	NC

<b>Z-finity Footrest Pivot Arm (Must Choose, use matrix in appendix for leg length)</b>				
<input type="checkbox"/>	187DI20		Short 2"	NC
<input type="checkbox"/>	187DI21		Long 3 1/4"	NC

<b>Z-finity Footplate</b>				
Some interference may exist in certain configurations.				
<input type="checkbox"/>	187F320	K0040	Multi Angle Adjustable (Pair) (not avail. w/8"-9" widths)	\$185.00
<input type="checkbox"/>	187F321	K0040	Angle Adjustable Platform Footboard	\$150.00
<input type="checkbox"/>	187F6		Omit Footplate	NC

<b>Z-finity Extension Tube Length (When Choosing Ext. Tube Mount)</b>				
<input type="checkbox"/>	187E62	K0040	Hemi	NC
<input type="checkbox"/>	187E1	K0040	Short	NC
<input type="checkbox"/>	187E2	K0040	Medium	NC
<input type="checkbox"/>	187E5	K0040	Long	NC



<b>Direct Hanger Mounted</b>				<b>Extension Tube Mounted</b>			
Footrest Adaptor	Hanger Mounting	Min	Max	Footrest Adaptor	Ext Tube Length	Min	Max
Short	High Mount	-1.25	3.00	Short	Hemi	4.25	12.00
	Low Mount	2.00	6.25		Short	5.25	13.00
Long	High Mount	-2.50	4.25		Medium	7.00	15.00
	Low Mount	0.75	7.50	Long	9.00	17.00	
				Hemi	3.00	13.25	
				Short	4.50	14.25	
				Medium	6.00	16.25	
				Long	8.00	18.25	

<b>Footrest Hanger Options</b>				
<input type="checkbox"/>	187IG2		Neoprene Covers (Avail. On 60°/70°/80° ext. mount hangers only and Z-finity except in highest mounted position).	\$85.00
<input type="checkbox"/>	187HL1	E0951	Heel Loops (NA w/ Z-finity widths below 14")	\$30.00
<input type="checkbox"/>	187A110	E0952	Toe Loop (Only avail. w/ adult angle adjust. Footplates NA w/ Z-finity)	\$40.00
<input type="checkbox"/>	187HL5	K0038	Leg Strap	\$35.00
<input type="checkbox"/>	187A55	K0038	Extra Leg Strap	\$35.00
<input type="checkbox"/>	187H32		Omit Hanger	(\$15.00)
<input type="checkbox"/>	187F7		Omit Footplate & Ext. Tube	(\$15.00)
<input type="checkbox"/>	187HL4		Omit Heel Loop	NC
<input type="checkbox"/>	187HL6		Omit Single Leg Strap	NC

ORDER INFORMATION: Customer Service: 800-333-4000 Fax: 800-300-7502 www.sunrisemedical.com  
Specifications are subject to change without notice. Copyright ©2013 Sunrise Medical MK-100014 REV.C

Mark For: \_\_\_\_\_

The **HCPCS CODES** provided are based on code verification through PDAC or our interpretation of the code definitions.  
 The use of **HCPCS CODES** does not ensure coverage or payment. For coverage information, verify the appropriate payer's coverage policy.

✓	Option #	HCPCS	Definition	Price	✓	Option #	HCPCS	Definition	Price
---	----------	-------	------------	-------	---	----------	-------	------------	-------

**7. BACKREST / SEATING**

**Backs**

(Solid Back Depth = 2" Less Than Frame Depth)

<input type="checkbox"/>	187PU4	Short Solid Back 12" (Requires solid seat)	NC
<input type="checkbox"/>	187PU5	Med. Solid Back 14"	NC
<input type="checkbox"/>	187PU6	Tall Solid Back 16"	NC
<input type="checkbox"/>	187BT13	Omit Backrest	NC

**Jay Backs (Optional)**

Ordering JAYbacks on-chair, See the JAY Price List. Requires Part #

<input type="checkbox"/>	187JB02	JAY Bundled Backrest	Price List
		Backrest Name or Part #	
		Width:	Height:

**Stoller Handle Back Posts - Backrests**

**Fixed Height**

<input type="checkbox"/>	187BP9	Low (19" Ht)	NC
<input type="checkbox"/>	187BP10	Medium (22" Ht)	NC
<input type="checkbox"/>	187BP11	Tall (25" Ht)	NC
<input type="checkbox"/>	187BP13	Removable Extension	\$85.00
<input type="checkbox"/>	187RG1	Folding Adjustable Rigidizer	\$175.00

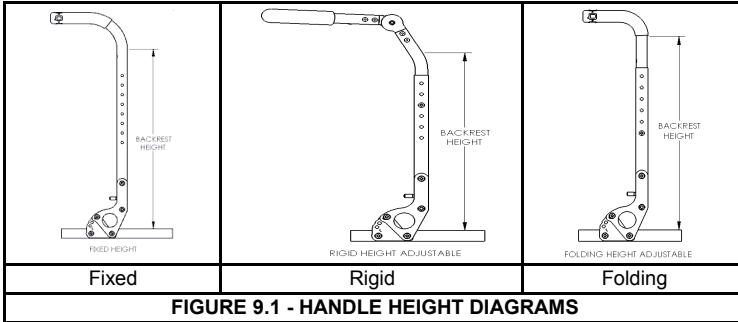
**Height Adjustable**

Rigid Frame w/ Angle Adjust Push Handle

<input type="checkbox"/>	187B202	<b>Std. (16"-22" Height.)</b>	NC
<input type="checkbox"/>	187PH8	Std. Angle Adj. Push Handle Lgth	NC
<input type="checkbox"/>	187PH9	Long Angle Adj. Push Handle Length	NC
<input type="checkbox"/>	187B203	<b>Tall (19"-25" Height.)</b>	NC
<input type="checkbox"/>	187PH8	Std. Angle Adj. Push Handle Lgth	NC
<input type="checkbox"/>	187PH9	Long Angle Adj. Push Handle Length	NC

Folding Frame with Push Handle

<input type="checkbox"/>	187B204	<b>Std. (17"-23" Height.)</b>	NC
<input type="checkbox"/>	187BP47	Swing Away Handle (not available with dual triggers)	\$55.00
<input type="checkbox"/>	187B205	<b>Tall (20"-26" Height.)</b>	NC
<input type="checkbox"/>	187BP47	Swing Away Handle (not available with dual triggers)	\$55.00



Mark For: \_\_\_\_\_

The **HCPCS CODES** provided are based on code verification through PDAC or our interpretation of the code definitions.  
 The use of **HCPCS CODES** does not ensure coverage or payment. For coverage information, verify the appropriate payer's coverage policy.

✓	Option #	HCPCS	Definition	Price	✓	Option #	HCPCS	Definition	Price
---	----------	-------	------------	-------	---	----------	-------	------------	-------

**8. ARMRESTS / SIDEGUARDS**

**Armrest and Armpad - Height Adjustable**

<input type="checkbox"/>	187AA12	E0973	T-Post Regular w/Foam	NC
<input type="checkbox"/>	187AA13	E0973	T-Post Tall w/Foam	NC
<input type="checkbox"/>	187AA3	E0973	Flip-Up	NC
<input type="checkbox"/>	187AA1	E0973	<b>Adjustable Locking Flip-Up</b>	\$255.00
<input type="checkbox"/>	187AA7	E0973	<b>Length Adjust. Locking Flip-Up</b>	\$265.00
<input type="checkbox"/>	187AM23		Desk Length (10")	NC
<input type="checkbox"/>	187AM24		Full Length (14")	NC
<input type="checkbox"/>	187AM9		Foam Short (not avail. w/T Post)	NC
<input type="checkbox"/>	187AM10		Foam Long (not avail. w/T Post)	NC

**Armrest Receiver for Height Adjustable Armrest**

<input type="checkbox"/>	187AR17		Low (not avail. w/Lite Spokes)	NC
<input type="checkbox"/>	187AR18		Std	NC

**Side Guard**

(Not available with height adjustable armrests or T-Post armrests)

<input type="checkbox"/>	187SG33	K0108	Plastic Std	\$125.00
<input type="checkbox"/>	187SG29	K0108	Plastic Low	\$125.00

**Armrest - Height Adjustable**

<input type="checkbox"/>	187AA11	E0973	<b>Single-Post Height Adj. Std.</b>	\$285.00
<input type="checkbox"/>	187AM23		Desk Classic	NC
<input type="checkbox"/>	187AM21		Desk Contour	NC
<input type="checkbox"/>	187AM24		Full Classic	NC
<input type="checkbox"/>	187AM22		Full Contour	NC
<input type="checkbox"/>	187AA29	E0973	<b>Single-Post Height Adj. Low</b>	\$285.00
<input type="checkbox"/>	187AM23		Desk Classic	NC
<input type="checkbox"/>	187AM21		Desk Contour	NC
<input type="checkbox"/>	187AM24		Full Classic	NC
<input type="checkbox"/>	187AM22		Full Contour	NC

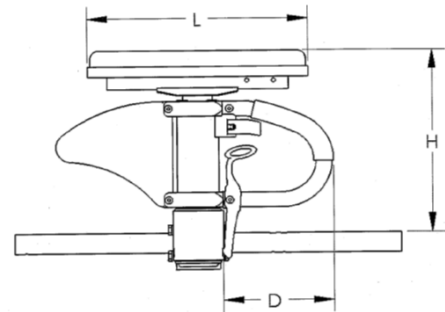
Armrest Size	Transfer Tube Length D	Receiver	CLASSIC PAD			
			H Range	Pad Length L		
				Desk	Full	
STD	8"	STD	10 3/4" to 15 3/4"	10 1/4"	14"	
		LOW	8 3/4" to 13 3/4"			
LOW	5 1/4"	STD	9" to 13"	10 1/4"	14"	
		LOW	7 1/4" to 11 1/4"			

Armrest Size	Transfer Tube Length D	Receiver	CONTOUR PAD			
			H Range	Pad Length L		
				Desk	Full	
STD	8"	STD	10" to 15"	10 1/2"	14 1/4"	
		LOW	8 1/4" to 12 1/2"			
LOW	5 1/4"	STD	8 1/2" to 12 1/2"	10 1/2"	14 1/4"	
		LOW	6 3/4" to 10 3/4"			

**Armrest Matrix for Single Post**



Mark For: \_\_\_\_\_

The **HCPCS CODES** provided are based on code verification through PDAC or our interpretation of the code definitions.  
 The use of **HCPCS CODES** does not ensure coverage or payment. For coverage information, verify the appropriate payer's coverage policy.

✓	Option #	HCPCS	Definition	Price	✓	Option #	HCPCS	Definition	Price
---	----------	-------	------------	-------	---	----------	-------	------------	-------

**9. KEY OPTIONS**

**Back Pack (Kids Backpack included)**

<input type="checkbox"/>	187A1		Utility Backpack - Black	\$55.00
<input type="checkbox"/>	187A2		Additional Kids Black Backpack	\$50.00

**Seat Pouch**

<input type="checkbox"/>	187A8		Black	\$45.00
--------------------------	-------	--	-------	---------

**Miscellaneous**

<input type="checkbox"/>	187A83		Tool Kit	\$45.00
--------------------------	--------	--	----------	---------

**Spoke Guard**

(Not available with 12", 16" and 18" rear wheels & Projections Handrims)

<input type="checkbox"/>	187A23	K0065	Black	\$115.00
<input type="checkbox"/>	187A303	K0065	Clear Zippie	\$115.00

**Anti Tips**

<input type="checkbox"/>	187AO1	E0971	Front Anti-Tip (Not available with caster pin locks) (Not available with transit option)	\$150.00
<input type="checkbox"/>	187AT1	E0971	Rear Anti-Tip	\$140.00

**Positioning Belt (w/clamps)**

<input type="checkbox"/>	187A112	E0978	1" Dual Pull Side Squeeze Padded	\$85.00
<input type="checkbox"/>	187A117	E0978	Belt 2" Aircraft Buckle	\$110.00
<input type="checkbox"/>	187A118	E0978	Belt 2" Aircraft Buckle Padded	\$120.00
<input type="checkbox"/>	187A141	E0978	Belt 1.5" Auto Buckle w/Clamps	\$70.00
<input type="checkbox"/>	187A814	E0978	1" Comfort Fit APB5116	\$120.00

**Canopy (SunShade)**

(Need 2" back post clearance to mount canopy hardware, may require next height based on seating; please note some interference may occur with some headrest configurations)

<input type="checkbox"/>	1878A06	K0108	Canopy (Sunshade) 10"-14" Width	\$275.00
<input type="checkbox"/>	1878A07	K0108	Canopy (Sunshade) 15"-20" Width	\$275.00

**Upper Extremity Support Tray**

When ordering a tray with full armrest or desk armrest pads, add 1" to seat width to determine best tray size.

<input type="checkbox"/>	187A29	E0950	X-Sm (Suggested 10"-12" Width)	\$250.00
<input type="checkbox"/>	187A30	E0950	Sm (Suggested 13"-14" Width)	\$250.00
<input type="checkbox"/>	187A31	E0950	Med (Suggested 15"-17" Width)	\$250.00
<input type="checkbox"/>	187A32	E0950	Lrg (Suggested 18"-20" Width)	\$250.00

**10. FRAME COLOR**

**Standard Colors**

<input type="checkbox"/>	187C140		Aztec Gold	NC
<input type="checkbox"/>	187C2		Black (Not avail as base w/Zebra)	NC
<input type="checkbox"/>	187C141		Black Cherry	NC
<input type="checkbox"/>	187C10		Black Opal	NC
<input type="checkbox"/>	187C38		Blue Opal	NC
<input type="checkbox"/>	187C36		Candy Blue	NC
<input type="checkbox"/>	187C14		Candy Purple	NC
<input type="checkbox"/>	187C35		Candy Red	NC
<input type="checkbox"/>	187C142		Electric Blue	NC
<input type="checkbox"/>	187C143		Evergreen	NC
<input type="checkbox"/>	187C126		Glow	NC
<input type="checkbox"/>	187C144		Green Apple	NC
<input type="checkbox"/>	187C147		Hot Sparkle Pink	NC
<input type="checkbox"/>	187C148		Mauve Pink	NC
<input type="checkbox"/>	187C103		Rootbeer	NC
<input type="checkbox"/>	187C114		Sparkle Silver	NC
<input type="checkbox"/>	187C145		Sunrise Orange	NC
<input type="checkbox"/>	187C113		Titanium Color Paint	NC
<input type="checkbox"/>	187C8		Yellow	NC

**Standard Matte Colors**

<input type="checkbox"/>	187C116		Matte Black	NC
<input type="checkbox"/>	187C151		Matte Black Cherry	NC
<input type="checkbox"/>	187C152		Matte Purple	NC
<input type="checkbox"/>	187C150		Matte Electric Blue	NC
<input type="checkbox"/>	187C149		Matte Evergreen	NC

**Custom Colors**

<input type="checkbox"/>	187C43		Mossy Oak Camouflage	\$295.00
<input type="checkbox"/>	187C42		Stars and Stripes	\$295.00
<input type="checkbox"/>	187C108		Zebra (Choose base color above: White Std, n/a black, black opal, matte black or titanium)	\$295.00

**Additional Options Through Built for Me**

To inquire about any unique customization for Quickie products, contact: Phone: (800) 333-4000, Fax: (800) 333 9011



**Commonly Requested Options Include:**

- ✓ **Dynamic Back**
- ✓ **Reclining Backrest**
- ✓ **Custom Anodizing**
- ✓ **Custom Paint**
- ✓ **O2 Holder with Transit**
- ✓ **IV Pole with Transit**

