



Zippie IRIS
July 2016
EIZ5A

Date: _____ Dealer Acct #: _____ Dealer: _____ Dealer Contact: _____ Dealer Address: _____ Dealer City: _____ ST: _____ ZIP: _____ Dealer Phone: () _____ Fax: () _____ Confirm Via: <input type="checkbox"/> Fax <input type="checkbox"/> Email	SUBMITTING FOR: <input type="checkbox"/> Quote <input type="checkbox"/> Order PO#: _____ Ship To: _____ Attention: _____ Address: _____ Address: _____ Ship To City: _____ ST: _____ ZIP: _____ Ship To Phone: () _____ Fax: () _____
---	---

Mark For: _____

*The HCPCS CODES provided are based on code verification through PDAC or our interpretation of the code definitions.
 The use of HCPCS CODES does not ensure coverage or payment. For coverage information, verify the appropriate payer's coverage policy.*

<input type="checkbox"/> Option #	HCPCS	Definition	Price	<input type="checkbox"/> Option #	HCPCS	Definition	Price
-----------------------------------	-------	------------	-------	-----------------------------------	-------	------------	-------

1. FRAME

*HCPCS Codes shown as submitted. Some sizes fit other HCPC codes i.e. 15-18" widths = E1161

NEW! Base Model (Rocker cover NA with folding)			
Maximum user weight is 225 lbs			
Maximum weight capacity for Z-Finity footrests is 165 lbs			
<input type="checkbox"/>	188WM48	E1233	Zippie IRIS Transit Included Includes True fit Growth \$2,815.00
<input type="checkbox"/>	188WM47	E1233	Zippie IRIS Transit Optional Includes True fit Growth \$2,665.00
<input type="checkbox"/>	188WM91	E1234	Zippie IRIS Folding Transit Included Includes True fit Growth. NA w/Mono \$2,940.00
<input type="checkbox"/>	188WM90	E1234	Zippie IRIS Folding Transit Optional Includes True fit Growth. NA with Mono \$2,790.00

Transit (For use when Transit Optional frame is selected)			
<input type="checkbox"/>	188TO45		Transit Optional \$250.00

Tilt Release Options			
<input type="checkbox"/>	188TT8		Foot Release - (Not Avail. w/ Vent and Battery Tray. May limit folded width, folding frame defaults to right side) <input type="checkbox"/> Left <input type="checkbox"/> Right (facing from rear) NC
<input type="checkbox"/>	188TT12		Dual Trigger Cable Release NC

Pre-Set Tilt Angle (55° range) (Default in Bold, NA w/ reclining back)			
<input type="checkbox"/>	188TA5		-5° to 50° (Not available. with 12.5" STFH.) NC
<input type="checkbox"/>	188TA6		0° to 55° STD
<input type="checkbox"/>	188TA7		+5° to 60° NC

Pre-Set Tilt Angle (40° range) (Default in Bold)			
<input type="checkbox"/>	188TA8		-5° to 35° (Not available with 12.5" STFH.) NC
<input type="checkbox"/>	188TA9		0° to 40° STD
<input type="checkbox"/>	188TA10		+5° to 45° NC

Frame Struts (Rigid Frames Only)			
<input type="checkbox"/>	188GY01		Fixed Struts (Growth thru kits) NA W/Folding STD
<input type="checkbox"/>	188GY02		Width Adjusting system (built in growth 2") NA w/ Mono Back or Folding \$45.00

Frame Options			
<input type="checkbox"/>	188FT46		Contracture Seat Frame (Not Avail. w/10" Frame Depth or Folding Frame) NC
<input type="checkbox"/>	188FS29		Battery Tray (Not avail. w/ 10" & 11" frame widths, foot wheel lock or Folding) \$295.00

UPDATED 2. SIZE / SEATING

Frame Width (Custom set-up on 17" & 18" folding frame thru B4Me)			
<input type="checkbox"/>	188W1		10" (NA w/ Mono) NC
<input type="checkbox"/>	188W2		11" (NA w/Mono) NC
<input type="checkbox"/>	188W3		12" NC
<input type="checkbox"/>	188W4		13" NC
<input type="checkbox"/>	188W5		14" STD
<input type="checkbox"/>	188W6		15" NC
<input type="checkbox"/>	188W7		16" (Folding Grows to 18") NC
<input type="checkbox"/>	188W8		17" (Folding Grows to 18" B4Me custom set-up) NC
<input type="checkbox"/>	188W9		18" (No Growth w/Folding B4Me custom set-up) NC

JAY Cushions (Optional)			
To order any JAY cushions on-chair, please see the JAY price list. Cushion name or part number must be filled out with desired width and depth.			
<input type="checkbox"/>	188JC20	JAY Bundled Cushion	Price List
		Name / Part #	
		Width:	Depth:

Seats (NA w/ Folding Frame)			
<input type="checkbox"/>	188ST35	E2231	Seat Pan-Growable (Fig. 8.1) \$200.00
<input type="checkbox"/>	188ST36	E2231	Drop Seat Pan \$200.00
<input type="checkbox"/>	188ST54		Omit Seat Pan STD

Custom Seating			
For best performance seating should have universal hardware			
<input type="checkbox"/>	188QC01		JAY Surefit
<input type="checkbox"/>	188QC02		JAY Configurerfit

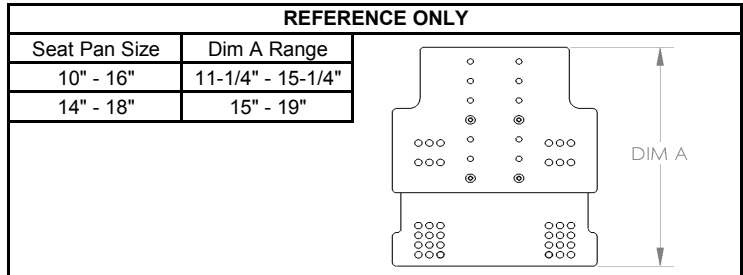


Figure 8.1 - Frame Depth Growth Range Matrix

Mark For: _____

The **HCPCS CODES** provided are based on code verification through PDAC or our interpretation of the code definitions.
 The use of **HCPCS CODES** does not ensure coverage or payment. For coverage information, verify the appropriate payer's coverage policy.

✓	Option #	HCPCS	Definition	Price	✓	Option #	HCPCS	Definition	Price
---	----------	-------	------------	-------	---	----------	-------	------------	-------

2. SIZE / SEATING CONT.

Frame Depth

(Choose Selections from A OR B)

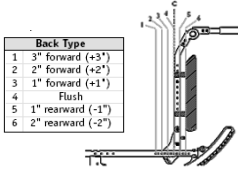
Selection A: Frame Depth Set up By Zippie

Desired Seat Depth

10" 11" 12" 13" 14"
 15" 16" 17" 18"

Back Type

3" 2" 1"
 Flush -1" -2"

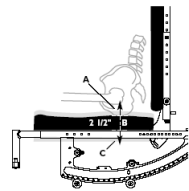


1 3" forward (+3")
 2 2" forward (+2")
 3 1" forward (+1")
 4 Flush
 5 1" rearward (-1")
 6 2" rearward (-2")

This section determines frame length

Top of Cushion to Seat Rail

2 1/2" or Greater
 Less than 2 1/2" (STD)
 Below Seat Rail



Select from A OR B

Selection B: Frame Depth Range

<input type="checkbox"/>	188SN01	Short Seat Frame 10"-14"	NC
<input type="checkbox"/>	188SN02	Medium Seat Frame 12"-16"	NC
<input type="checkbox"/>	188SN03	Long Seat Frame 14"-18"	NC

Selection B: Frame Depth

<input type="checkbox"/>	188FD1	10" recommended w/ Short Seat Frame. Not avail. with Contracture Footrest System	NC
<input type="checkbox"/>	188FD2	11" recommended w/ Short Seat Frame.	NC
<input type="checkbox"/>	188FD3	12" rec. w/ Short Seat Frame	NC
<input type="checkbox"/>	188FD4	13" rec. w/ Med. Seat Frame	NC
<input type="checkbox"/>	188FD5	14" rec. w/ Med. Seat Frame	NC
<input type="checkbox"/>	188FD6	15" rec. w/ Med. Seat Frame	NC
<input type="checkbox"/>	188FD7	16" rec. w/ Long Seat Frame	NC
<input type="checkbox"/>	188FD8	17" rec. w/ Long Seat Frame	NC
<input type="checkbox"/>	188FD9	18" rec. w/ Long Seat Frame	NC

3. CASTERS / SEAT HEIGHT

Caster Wheel			
<input type="checkbox"/>	188CW31	4" Micro Light Up (NA with Folding)	\$70.00
<input type="checkbox"/>	188CW73	4" x 1.25" Semi-Pneumatic (NA W/Folding)	NC
<input type="checkbox"/>	188CW51	5" Micro Light Up	\$85.00
<input type="checkbox"/>	188CW5	5" Low-Profile Polyurethane	STD
<input type="checkbox"/>	188CW7	5" x 1.5" Semi-Pneumatic	\$85.00
<input type="checkbox"/>	188CW33	E2214 E2215 6" Pneumatic	\$75.00
<input type="checkbox"/>	188CW34	6" Polyurethane	NC
<input type="checkbox"/>	188CW35	6" x 1.5" Semi-Pneumatic	\$85.00
<input type="checkbox"/>	188CW21	E2214 E2215 8" Pneumatic	\$75.00
<input type="checkbox"/>	188CW32	8" Polyurethane	NC
<input type="checkbox"/>	188CW39	8" x 1.5" Semi-Pneumatic	\$85.00
<input type="checkbox"/>	188CW36	E2214 E2215 8" x 2" Pneumatic	\$145.00
<input type="checkbox"/>	188CW37	E2214 K0108 8" x 2" Pneumatic w/Airless Insert	\$225.00

Please call customer service for 13.25 on a 12" RW and 4" Caster (Rigid only)

Rear Wheel Size	CASTER SIZE					
	<input type="checkbox"/> 4	<input type="checkbox"/> 5	<input type="checkbox"/> 6	<input type="checkbox"/> 8x1	<input type="checkbox"/> 8x1.5	<input type="checkbox"/> 8x2
<input type="checkbox"/> 12	<input type="checkbox"/> 13.0	<input type="checkbox"/> 16.0	<input type="checkbox"/> 16.0			
		<input type="checkbox"/> 16.5	<input type="checkbox"/> 16.5		<input type="checkbox"/> 16.5	
		<input type="checkbox"/> 17.0	<input type="checkbox"/> 17.0	<input type="checkbox"/> 17.0	<input type="checkbox"/> 17.0	<input type="checkbox"/> 17.0
		<input type="checkbox"/> 17.5		<input type="checkbox"/> 17.5	<input type="checkbox"/> 17.5	
<input type="checkbox"/> 12 Low Poly		<input type="checkbox"/> 15.0	<input type="checkbox"/> 15.0			
		<input type="checkbox"/> 15.5	<input type="checkbox"/> 15.5			
		<input type="checkbox"/> 16.0	<input type="checkbox"/> 16.0			
<input type="checkbox"/> 16		<input type="checkbox"/> 16.5		<input type="checkbox"/> 16.5	<input type="checkbox"/> 16.5	<input type="checkbox"/> 16.5
		<input type="checkbox"/> 13.5				
		<input type="checkbox"/> 14.0	<input type="checkbox"/> 14.5			
		<input type="checkbox"/> 14.5	<input type="checkbox"/> 17.0	<input type="checkbox"/> 17.5	<input type="checkbox"/> 17.5	
		<input type="checkbox"/> 17.5	<input type="checkbox"/> 17.5	<input type="checkbox"/> 18.0	<input type="checkbox"/> 18.0	<input type="checkbox"/> 18.0
		<input type="checkbox"/> 18.0	<input type="checkbox"/> 18.0	<input type="checkbox"/> 18.5	<input type="checkbox"/> 18.5	
<input type="checkbox"/> 20		<input type="checkbox"/> 18.5	<input type="checkbox"/> 18.5		<input type="checkbox"/> 19.0	<input type="checkbox"/> 19.0
		<input type="checkbox"/> 15.5	<input type="checkbox"/> 16.0			
<input type="checkbox"/> 22		<input type="checkbox"/> 16.0	<input type="checkbox"/> 16.5	<input type="checkbox"/> 16.5	<input type="checkbox"/> 16.5	<input type="checkbox"/> 16.5
		<input type="checkbox"/> 16.5	<input type="checkbox"/> 17.0	<input type="checkbox"/> 17.0	<input type="checkbox"/> 17.0	<input type="checkbox"/> 17.0
		<input type="checkbox"/> 17.0	<input type="checkbox"/> 16.5		<input type="checkbox"/> 16.5	
<input type="checkbox"/> 24		<input type="checkbox"/> 17.5	<input type="checkbox"/> 17.0	<input type="checkbox"/> 17.0	<input type="checkbox"/> 17.0	<input type="checkbox"/> 17.0
		<input type="checkbox"/> 18.0	<input type="checkbox"/> 17.5	<input type="checkbox"/> 17.5	<input type="checkbox"/> 17.5	
			<input type="checkbox"/> 18.0	<input type="checkbox"/> 18.0	<input type="checkbox"/> 18.0	<input type="checkbox"/> 18.0
<input type="checkbox"/> 24		<input type="checkbox"/> 17.0		<input type="checkbox"/> 17.5		
		<input type="checkbox"/> 17.5	<input type="checkbox"/> 17.5	<input type="checkbox"/> 18.0	<input type="checkbox"/> 18.0	<input type="checkbox"/> 18.0
		<input type="checkbox"/> 18.0	<input type="checkbox"/> 18.0	<input type="checkbox"/> 18.5	<input type="checkbox"/> 18.5	
	<input type="checkbox"/> 18.5	<input type="checkbox"/> 18.5	<input type="checkbox"/> 19.0	<input type="checkbox"/> 19.0	<input type="checkbox"/> 19.0	

NA with Folding

Mark For: _____

The **HCPCS CODES** provided are based on code verification through PDAC or our interpretation of the code definitions.
 The use of **HCPCS CODES** does not ensure coverage or payment. For coverage information, verify the appropriate payer's coverage policy.

✓	Option #	HCPCS	Definition	Price	✓	Option #	HCPCS	Definition	Price
---	----------	-------	------------	-------	---	----------	-------	------------	-------

4. REAR WHEELS / SEAT HEIGHT

One Arm Drive

One Arm Drive NA with folding frame

<input type="checkbox"/>	188AL17	E0958	One Arm Drive (Avail. w/ 20", 22", 24" Mag Rear Wheels).	\$850.00
<input type="checkbox"/>	188OA2		Standard Handrim	NC
<input type="checkbox"/>	188HM1		<i>Right</i>	NC
<input type="checkbox"/>	188HM2		<i>Left</i>	NC
<input type="checkbox"/>	188OA1		Small Handrim	NC
<input type="checkbox"/>	188HM1		<i>Right</i>	NC
<input type="checkbox"/>	188HM2		<i>Left</i>	NC

Axle

<input type="checkbox"/>	188AX26		One Arm Drive Axle (Only avail. w/One Arm Drive Option)	STD
<input type="checkbox"/>	188AX1		<i>Quick Release</i>	NC
<input type="checkbox"/>	188AX11		Quad Quick Release (<i>not available with Lite Spokes</i>)	\$125.00

Rear Wheel Size

<input type="checkbox"/>	188RW13		12" Mag (Not available with handrims)	STD
<input type="checkbox"/>	188RW14		16" Mag (Not available with handrims)	NC
<input type="checkbox"/>	188RW3		<i>20" Mag</i>	NC
<input type="checkbox"/>	188RW8		<i>22" Mag</i>	NC
<input type="checkbox"/>	188RW1		<i>24" Mag</i>	NC
<input type="checkbox"/>	188RW90		<i>20" Lite Spoke</i>	\$200.00
<input type="checkbox"/>	188RW91		<i>22" Lite Spoke</i>	\$200.00
<input type="checkbox"/>	188RW54		<i>24" Lite Spoke</i>	\$100.00

Rear Wheel Tire

<input type="checkbox"/>	188RT1	E2211 E2212	Pneumatic	NC
<input type="checkbox"/>	188RT2	E2211 E2213	Pneumatic Airless Insert	\$80.00
<input type="checkbox"/>	188RT3		Full Polyurethane (Not avail.w/ 12" & 16" rear wheels)	NC
<input type="checkbox"/>	188RT4		Low Polyurethane (Only available with 12" wheels)	NC

Handrim

<input type="checkbox"/>	188HR1		Aluminum Anodized	NC
<input type="checkbox"/>	188HR4		Plastic Coated	\$95.00
<input type="checkbox"/>	188HR7		Omit (Not available with wheel/axle credit)	NC

Projections (Not Available on Plastic Coated)

Only available with 24" Mag wheels & not available with spoke guards.

<input type="checkbox"/>	188HR8		8 Oblique	\$325.00
--------------------------	--------	--	-----------	----------

5. WHEEL LOCKS / HUB LOCK

Wheel Lock

Not available with Hub Lock

<input type="checkbox"/>	188WL34		High Mount Push	NC
<input type="checkbox"/>	188WL36		Foot Lock (<i>NA w/ One Arm Drive. Folding frame defaults to left side, may limit folded width</i>)	NC
<input type="checkbox"/>	188WL10		Omit	NC

Extension Handle

<input type="checkbox"/>	188EH1	E0961	6" Pair	\$75.00
--------------------------	--------	-------	---------	---------

Hub Lock

**Only available with 12" or 16" wheels. Not available w/one arm drive.*

<input type="checkbox"/>	188LK01		12" Hub Lock	\$100.00
<input type="checkbox"/>	188LK02		16" Hub Lock	\$100.00

Mark For:

The **HCPCS CODES** provided are based on code verification through PDAC or our interpretation of the code definitions.
The use of **HCPCS CODES** does not ensure coverage or payment. For coverage information, verify the appropriate payer's coverage policy.

✓	Option #	HCPCS	Definition	Price	✓	Option #	HCPCS	Definition	Price
---	----------	-------	------------	-------	---	----------	-------	------------	-------

6. FOOTRESTS (See Appendix for matrix)

Hanger Mounted Footrest (Footplates Mount to Hanger Tubing)

Hanger Type (Matrix next page for Ranges)

<input type="checkbox"/>	188H140		70° Swing In/Out Front Mount	NC
<input type="checkbox"/>	188H142		80° Swing In/Out Front Mount	NC
<input type="checkbox"/>	188H158		90° Swing In/Out Front Mount	NC
<input type="checkbox"/>	188H9		70° Hvy Dty Fnt Mount Lift-Off	NC
<input type="checkbox"/>	188H10		80° Hvy Dty Fnt Mount Lift-Off	NC
<input type="checkbox"/>	188H11		90° Hvy Dty Fnt Mount Lift-Off	NC
<input type="checkbox"/>	188H161	E0990	Elev.Fnt Mount (n/a 10-11" wide)	\$295.00

Extensions (may interfere with some seat heights & casters)

<input type="checkbox"/>	188E23		2" (not mounted)	\$55.00
<input type="checkbox"/>	188E24		4" (not mounted)	\$55.00

Footplate

<input type="checkbox"/>	188F9	K0040	Kids Angle Adjustable (not avail. w/17"-18" widths)	\$185.00
<input type="checkbox"/>	188F8	K0040	Adult Angle Adj. (Available with 10"-18" widths)	\$185.00
<input type="checkbox"/>	188F62	K0040	Footboard (Available with 10"-16" widths)	\$150.00

Ext. Tube Mounted Footrests (Footplates Mount to Ext. Tube)

Hanger Type (Matrix next page for Ranges)

<input type="checkbox"/>	188H145		60° Swing In/Out	NC
<input type="checkbox"/>	188H139		70° Swing In/Out	STD
<input type="checkbox"/>	188H141		80° Swing In/Out (n/a w/8" Casters)	STD
<input type="checkbox"/>	188H159	K0053	Articulating (not avail. 10"-13")	\$350.00
<input type="checkbox"/>	188H160	E0990	Elevating (Not avail. w/ platform footplates or < 14" width)	\$295.00

Extensions (Matrix next page for Ranges)

<input type="checkbox"/>	188E1		Short	NC
<input type="checkbox"/>	188E2		Medium	NC
<input type="checkbox"/>	188E5		Long	NC
<input type="checkbox"/>	188E16	K0037	High Mount	\$55.00

Footplate

<input type="checkbox"/>	188F1		Composite (not avail. In 10", 11" or 12" width)	STD
<input type="checkbox"/>	188F3	K0040	Adult Angle Adjustable (Available with 10"-18" widths)	\$185.00
<input type="checkbox"/>	188F4	K0040	Kids Angle Adjustable (not avail. w/17"-18" width)	\$185.00
<input type="checkbox"/>	188F5		Aluminum (Only available with elevating legrests 14"-18")	NC
<input type="checkbox"/>	188F48	K0040	Platform Flip-Up (Avail on 60° 70° and 80° ext. mount hangers only. NA w/Folding Frame)	\$190.00

Hanger Mounts

1" Offset NA with -5-50° and -5-35° preset tilt angle and possible interference with 80° & 90° hangers

<input type="checkbox"/>	188MZ02		Standard Hanger Mount	STD
<input type="checkbox"/>	188MZ01		1" Offset Hanger Mount	NC

Footrest Hanger Options

<input type="checkbox"/>	188IG2		Neoprene Covers (Only avail. for ext. mount hangers)	\$85.00
<input type="checkbox"/>	188HL1	E0951	Heel Loops (Z-finity NA widths 10"-14")	\$30.00
<input type="checkbox"/>	188HL5	K0038	Leg Strap	\$35.00
<input type="checkbox"/>	188A54	K0038	Extra Single Leg Strap	\$30.00
<input type="checkbox"/>	188A110	E0952	Toe Loop (Only avail. w/ adult angle adjust. Footplates, NA w/Z-finity)	\$40.00
<input type="checkbox"/>	188H32		Omit Hanger	(\$15.00)
<input type="checkbox"/>	188F7		Omit Footplate and Ext. Tube	(\$15.00)



Z-finity Hangers/Footrest System

(Maximum weight capacity for Z-Finity footrests is 165 lbs)
Some interference may exist in certain configurations.

<input type="checkbox"/>	188H162		Z-finity Hanger	STD
--------------------------	---------	--	-----------------	-----

Z-finity Footrest Mount (Must Chose see Illustration in appendix)

<input type="checkbox"/>	188DI22		Direct Hanger Mt/Fixed Frame - High	NC
<input type="checkbox"/>	188DI23		Direct Hanger Mt/Fixed Frame - Low	NC
<input type="checkbox"/>	188DI24		Extension Tube Mount	NC

Z-finity Footrest Pivot Arm (Must Choose, use matrix in appendix for leg length)

<input type="checkbox"/>	188DI20		Short 2"	NC
<input type="checkbox"/>	188DI21		Long 3 1/4"	NC

Z-finity Footplate

Some interference may exist in certain configurations.

<input type="checkbox"/>	188F320	K0040	Multi Angle Adjustable (Pair) (not avail. w/8"-9" widths)	\$185.00
<input type="checkbox"/>	188F321	K0040	Angle Adjustable Platform Footboard	\$150.00
<input type="checkbox"/>	188F6		Omit Footplate	NC

Z-finity Extension Tube Length (When Choosing Ext. Tube Mount)

<input type="checkbox"/>	188E62	K0040	Hemi Short	NC
<input type="checkbox"/>	188E1	K0040	Short	NC
<input type="checkbox"/>	188E2	K0040	Medium	NC
<input type="checkbox"/>	188E5	K0040	Long	NC

JAY FOOT BOXES

Only available with Swing Away, Lift-off Hangers, Adult Angle Adj Footplates and ALR/ELR. Single Foot Box pairs NA with 10"-15" frame widths. Full Foot boxes NA with Heel Loop or Leg Strap or in odd number sizes, Tall Height NA w/ 14"-15" frame widths and ALR/ELR. NA w/ Z-finity.

Single Foot Box

<input type="checkbox"/>	188JX01		Standard Height - Left	\$225.00
<input type="checkbox"/>	188JX02		Tall Height - Left	\$225.00
<input type="checkbox"/>	188JX03		Standard Height - Right	\$225.00
<input type="checkbox"/>	188JX04		Tall Height - Right	\$225.00
<input type="checkbox"/>	188JX05		Standard Height - Pair	\$450.00
<input type="checkbox"/>	188JX06		Tall Height - Pair	\$450.00

OR

Full Foot Box

<input type="checkbox"/>	188JX07		Full Foot box Std Height	\$350.00
<input type="checkbox"/>	188JX08		Full Foot box Tall Height	\$350.00
<input type="checkbox"/>	188JX09		Full Foot box w/ Divider Std Ht	\$400.00
<input type="checkbox"/>	188JX10		Full Foot box w/ Divider Tall Ht	\$400.00

Mark For: _____

The **HCPCS CODES** provided are based on code verification through PDAC or our interpretation of the code definitions.
 The use of **HCPCS CODES** does not ensure coverage or payment. For coverage information, verify the appropriate payer's coverage policy.

✓	Option #	HCPCS	Definition	Price	✓	Option #	HCPCS	Definition	Price
---	----------	-------	------------	-------	---	----------	-------	------------	-------

6. FOOTRESTS CONT. (See Appendix for matrix)

Contracture Footrest System (CFS)

NA w/ Neoprene Impact Guards, Kids Angle Adj. Aluminum Footrests, Dual Post Armrest or Folding Frame.

<input type="checkbox"/>	188H26	Contracture Footrest System	\$325.00	<input type="checkbox"/>	188E2	REGULAR	NC
<input type="checkbox"/>	188FP01	CFS - Center Mount	NC	<input type="checkbox"/>	188EP5	12.5" Extension Height	NC
<input type="checkbox"/>	188FP02	CFS - Outside Mount	NC	<input type="checkbox"/>	188EP6	13.0" Extension Height	NC
<input type="checkbox"/>	188E1	SHORT	NC	<input type="checkbox"/>	188EP7	13.5" Extension Height	NC
<input type="checkbox"/>	188EP1	10.5" Extension Height	NC	<input type="checkbox"/>	188EP8	14.0" Extension Height	NC
<input type="checkbox"/>	188EP2	11.0" Extension Height	NC	<input type="checkbox"/>	188EP9	14.5" Extension Height	NC
<input type="checkbox"/>	188EP3	11.5" Extension Height	NC	<input type="checkbox"/>	188EP10	15.0" Extension Height	NC
<input type="checkbox"/>	188EP4	12.0" Extension Height	NC				
<input type="checkbox"/>	188EP5	12.5" Extension Height	NC				
<input type="checkbox"/>	188EP6	13.0" Extension Height	NC				

7. BACKREST / SEATING

DYNAMIC BACKREST

<input type="checkbox"/>	188BT101	Dynamic Backrest NA w/ Reclining or Folding Frame. NA in some configurations.	\$1,195.00
--------------------------	----------	--	------------

Jay Backs (Optional)

Ordering JAY backs on-chair. See the JAY Price List. Requires Part #

<input type="checkbox"/>	188JB02	JAY Bundled Backrest Backrest Name or Part # Width: _____ Height: _____	Price List
--------------------------	---------	---	------------

STROLLER HANDLE BACK POSTS - BACK RESTS (Choose A, B, C or D)

A. Fixed Height

<input type="checkbox"/>	188BP9	Low (19" Ht)	NC	A
<input type="checkbox"/>	188BP10	Medium (22" Ht)	NC	
<input type="checkbox"/>	188BP11	Tall (25" Ht)	NC	
<input type="checkbox"/>	188BP13	Removable Extension	\$85.00	
<input type="checkbox"/>	188RG1	Folding Adjustable Rigidizer NA w/ Mono Back	\$175.00	

OR

B Height Adjustable

Rigid Back w/ Angle Adjust Push Handle

<input type="checkbox"/>	188B170	Std. (16"-22" Height.)	NC	B
<input type="checkbox"/>	188PH8	Std. Angle Adj. Push Handle Lgth	NC	
<input type="checkbox"/>	188PH9	Long Angle Adj. Push Handle Length	NC	
<input type="checkbox"/>	188B171	Tall (19"-25" Height.)	NC	
<input type="checkbox"/>	188PH8	Std. Angle Adj. Push Handle Lgth	NC	
<input type="checkbox"/>	188PH9	Long Angle Adj. Push Handle Length	NC	

OR

C. Mono Back System

Must select JAY J3 when ordering Mono Back.
NA w/ Folding Frame.

Select One

<input type="checkbox"/>	188MO1	Mono Backrest System	\$395.00	C
<input type="checkbox"/>	188MO2	Mono Backrest System w/Dynamic Backrest	\$995.00	

AND Select desired Push Handle

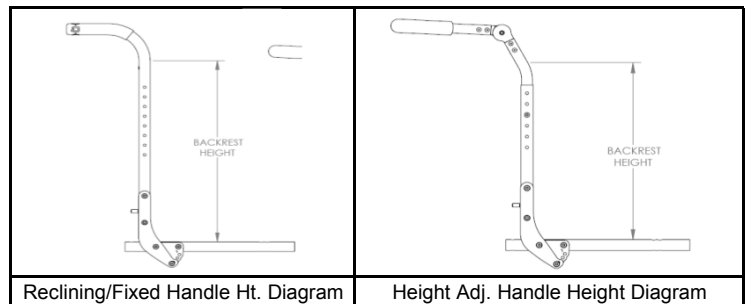
<input type="checkbox"/>	188PH8	Std. Angle Adj. Push Handle Lgth	NC
<input type="checkbox"/>	188PH9	Long Angle Adj. Push Handle Length	NC

OR

D. Reclining Backrest

Only available with 40° Tilt Range. NA w/Folding Frame

<input type="checkbox"/>	188BT21	E1225 Reclining Backrest	\$850.00	D
<input type="checkbox"/>	188B172	Medium (21" Height)	NC	
<input type="checkbox"/>	188B173	Tall (24" Height)	NC	



Mark For: _____

The **HCPCS CODES** provided are based on code verification through PDAC or our interpretation of the code definitions.
 The use of **HCPCS CODES** does not ensure coverage or payment. For coverage information, verify the appropriate payer's coverage policy.

✓	Option #	HCPCS	Definition	Price	✓	Option #	HCPCS	Definition	Price
---	----------	-------	------------	-------	---	----------	-------	------------	-------

7. BACKREST / SEATING CONT.

UPDATED

Mono Backrest Options ONLY

NA on Folding Frame, Vent/Battery Tray Base(LTV only), Reclining Backrest, Desk Length Armpads, Canopy and 10"-11" frame widths and depths.

JAY J3 Back for Mono Backrest System

<input type="checkbox"/>	188JB04		JAY J3 Back Mono	See OF
<input type="checkbox"/>	188JB05		JAY J3 via JAY Your Way	See OF

JAY J3 Backrest Contour

<input type="checkbox"/>	188JP06	E2613	J3 PA Back (2.2" of Contour Depth)	\$535.00
<input type="checkbox"/>	188JP08	E2615	J3 PL Back (3.0" of Contour Depth)	\$620.00
<input type="checkbox"/>	188JP09	E2620	J3 PDL Back (6.0" of Contour Depth) NA w/ 12" width	\$745.00
<input type="checkbox"/>	188JP10	E2620	J3 PDC Back (6.0" of Contour Depth) NA w/ 12" width	\$745.00

JAY J3 Backrest Height

<input type="checkbox"/>	188JR07		UT Standard 16.5" shell height	NC
<input type="checkbox"/>	188JR08		UT Medium 18" shell height NA w/ 12" width	NC
<input type="checkbox"/>	188JR09		UT Tall 19.5" shell height NA w/ 12" width	NC
<input type="checkbox"/>	188JR10		SH Standard 21" Shell Height NA w/ 12" width	NC
<input type="checkbox"/>	188JR11		SH Medium 22.5" NA w/ 12" width	NC
<input type="checkbox"/>	188JR12		SH Tall 24" NA w/ 12" width	NC

JAY J3 Backrest Width

Some interference may exist w/ armrest when ordering a backrest width greater than 4" wider than the base.

<input type="checkbox"/>	188JQ06		12" Backrest Width (only avail w/UT Standard 16.5" shell ht)	NC
<input type="checkbox"/>	188JQ01		14" Backrest Width	NC
<input type="checkbox"/>	188JQ02		16" Backrest Width	NC
<input type="checkbox"/>	188JQ03		18" Backrest Width	NC

JAY J3 Backrest Color

<input type="checkbox"/>	188GZ01		Black	NC
<input type="checkbox"/>	188GZ02		Match Frame- Standard Colors	NC
<input type="checkbox"/>	188GZ03		Match Frame- Custom Color	\$50.00

JAY J3 Back for Mono Backrest System Cont.

Select desired Headrest Mount (optional)

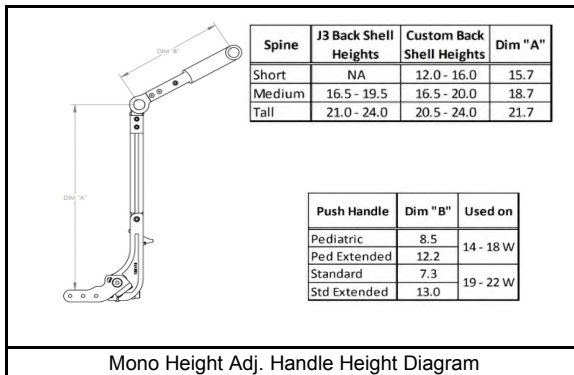
<input type="checkbox"/>	188MH10	E1028	Axys Mount & Bracket	\$230.00
<input type="checkbox"/>	188MH15	E1028	Cobra Mount and Bracket	\$280.00
<input type="checkbox"/>	188MH16	E1028	Onyx Mount and Bracket	\$200.00
<input type="checkbox"/>	188MH17		Omit	NC

Select desired Headrest Pad (optional)

<input type="checkbox"/>	188HE65	E0955	Plush Head Support Pad 8"	\$230.00
<input type="checkbox"/>	188HE66	E0955	Plush Head Support Pad 10"	\$230.00
<input type="checkbox"/>	188HE78	E0955	Plush Head Support Pad 14"	\$230.00
<input type="checkbox"/>	188HE87	E0955	HeadsUp Lrg: 5.3" Lng Arms	\$310.00
<input type="checkbox"/>	188HE88	E0955	HeadsUp Med: 4.1" Sht Arms	\$310.00
<input type="checkbox"/>	188HE89	E0955	HeadsUp Sml: 3.5" Sht Arms	\$310.00
<input type="checkbox"/>	188HE83	E0955	Adjust-A-Plush Standard	\$260.00
<input type="checkbox"/>	188HE82	E0955	Adjust-A-Plush Narrow	\$260.00

Select desired Lateral (optional)

<input type="checkbox"/>	LAT 4X4 S/A MOUNTS includes 1" OFFSET - PR			\$805.00
	188ZV14	E0956	LATERAL 4X4 W/ 1" OFFSET - PAIR	\$260.00
	188ZS07	E1028	LATERAL SWING AWAY MOUNT - PAIR	\$545.00
<input type="checkbox"/>	LAT 4X5 S/A MOUNTS includes 1" OFFSET - PR			\$805.00
	188ZV15	E0956	LATERAL 4X5 W/ 1" OFFSET - PAIR	\$260.00
	188ZS07	E1028	LATERAL SWING AWAY MOUNT - PAIR	\$545.00
<input type="checkbox"/>	LAT 4X6 S/A MOUNTS includes 1" OFFSET - PR			\$805.00
	188ZV16	E0956	LATERAL 4X6 W/ 1" OFFSET - PAIR	\$260.00
	188ZS07	E1028	LATERAL SWING AWAY MOUNT - PAIR	\$545.00
<input type="checkbox"/>	LAT 6X4 S/A MOUNTS includes 1" OFFSET - PR			\$805.00
	188ZV17	E0956	LATERAL 6X4 W/ 1" OFFSET - PAIR	\$260.00
	188ZS07	E1028	LATERAL SWING AWAY MOUNT - PAIR	\$545.00
<input type="checkbox"/>	LAT 6X5 S/A MOUNTS includes 1" OFFSET - PR			\$805.00
	188ZV18	E0956	LATERAL 6X5 W/ 1" OFFSET - PAIR	\$260.00
	188ZS07	E1028	LATERAL SWING AWAY MOUNT - PAIR	\$545.00
<input type="checkbox"/>	LAT 6X6 S/A MOUNTS includes 1" OFFSET - PR			\$805.00
	188ZV19	E0956	LATERAL 6X6 W/ 1" OFFSET - PAIR	\$260.00
	188ZS07	E1028	LATERAL SWING AWAY MOUNT - PAIR	\$545.00



Mark For: _____

The **HCPCS CODES** provided are based on code verification through PDAC or our interpretation of the code definitions.
 The use of **HCPCS CODES** does not ensure coverage or payment. For coverage information, verify the appropriate payer's coverage policy.

✓	Option #	HCPCS	Definition	Price	✓	Option #	HCPCS	Definition	Price
---	----------	-------	------------	-------	---	----------	-------	------------	-------

8. ARMRESTS / SIDE GUARDS

Armrest - Height Adjustable

Dual Post not available with 0 - 13" deep or with 14 - 15" deep seat pan, Dual Post also not available with contracture Footrest. Some interference may exist in some configurations.

<input type="checkbox"/>	188AA12	E0973	T-Post Regular w/Foam	NC
<input type="checkbox"/>	188AA13	E0973	T-Post Tall w/Foam	NC
<input type="checkbox"/>	188AA3	E0973	Flip-Up	NC
<input type="checkbox"/>	188AA1	E0973	Adjustable Locking Flip-Up	\$255.00
<input type="checkbox"/>	188AA7	E0973	Length Adjust. Locking Flip-Up NA with Contour Armpad	\$265.00
<input type="checkbox"/>	188AA62		Dual Post	NC
<input type="checkbox"/>	188AA63	E0973	Dual Post Height Adjustable	\$270.00
<input type="checkbox"/>	188AA43		Dual Post Flip Back	\$95.00
<input type="checkbox"/>	188AA48	E0973	Dual Post Flip Back Height Adj.	\$295.00
<input type="checkbox"/>	188AA11	E0973	Single-Post Height Adj. Std.	\$285.00
<input type="checkbox"/>	188AA29	E0973	Single-Post Height Adj. Low	\$285.00
<input type="checkbox"/>	188AA154	E0973	Height Adj. Cantilever Armrest Avail. w/ Mono Back only. NA w/ 20", 22" and 24" rear wheels.	\$250.00

ARMPAD

Contour only w/ Single Post Height Adj. Foam only Lengh Adj.

<input type="checkbox"/>	188AM23		Desk Classic	NC
<input type="checkbox"/>	188AM21		Desk Contour	NC
<input type="checkbox"/>	188AM24		Full Classic	NC
<input type="checkbox"/>	188AM22		Full Contour	NC
<input type="checkbox"/>	188AM9		Foam Short	NC
<input type="checkbox"/>	188AM10		Foam Long	NC

Armrest Receiver for Single Post Height Adjustable Armrest

<input type="checkbox"/>	188AR17		Low	NC
<input type="checkbox"/>	188AR18		Std	NC

JAY Arm Troughs

NA with Length Adj. Locking Flip Up and Adj Locking Flip Up armrests
 and Single Post Height Adj Armrests. Full Length Classic Armpads will automatically
 be selected when chosing only one side Arm Trough.

<input type="checkbox"/>	188JL01	E2209	Arm Trough - 14" long - Left	\$205.00
<input type="checkbox"/>	188JL04	E2209	Arm Trough - 14" long - Right	\$205.00
<input type="checkbox"/>	188JL05	E2209	Arm Trough - 14" long - Pair	\$410.00
<input type="checkbox"/>	188JL02	E2209	Arm Trough - 18" long - Left	\$205.00
<input type="checkbox"/>	188JL06	E2209	Arm Trough - 18" long - Right	\$205.00
<input type="checkbox"/>	188JL07	E2209	Arm Trough - 18" long - Pair	\$410.00
<input type="checkbox"/>	188JL03	E2209	Arm Trough - 22" long - Left	\$205.00
<input type="checkbox"/>	188JL08	E2209	Arm Trough - 22" long - Right	\$205.00
<input type="checkbox"/>	188JL09	E2209	Arm Trough - 22" long - Pair	\$410.00

JAY Arm Trough - Hardware

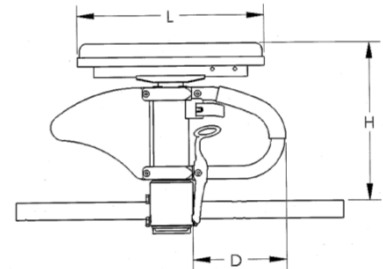
<input type="checkbox"/>	188JN01		Fixed (EA)	NC
<input type="checkbox"/>	188JN03		Fixed (Pair)	NC
<input type="checkbox"/>	188JN02	E1028	Swing Away - Rotational (EA)	\$250.00
<input type="checkbox"/>	188JN04	E1028	Swing Away - Rotational (Pair)	\$500.00

Side Guard

Not available with height adjustable armrests, T Posts or Cantilever armrests.
 NA w/ Mono Back.

<input type="checkbox"/>	188SG33	K0108	Plastic Std	\$125.00
<input type="checkbox"/>	188SG29	K0108	Plastic Low	\$125.00

Armrest Size	Transfer Tube Length D	Receiver	CLASSIC PAD			
			H Range	Pad Length L		
				Desk	Full	
STD	8"	STD	10 3/4" to 15 3/4"	10 1/4"	14"	
		LOW	8 3/4" to 13 3/4"			
LOW	5 1/4"	STD	9" to 13"	10 1/4"	14"	
		LOW	7 1/4" to 11 1/4"			
		Receiver	CONTOUR PAD			
			H Range	Pad Length L		
				Desk	Full	
			STD	10" to 15"	10 1/2"	14 1/4"
			LOW	8 1/4" to 12 1/2"		
			STD	8 1/2" to 12 1/2"		
LOW	6 3/4" to 10 3/4"					



Armrest Matrix for Single Post

Mark For: _____

The **HCPCS CODES** provided are based on code verification through PDAC or our interpretation of the code definitions.
The use of **HCPCS CODES** does not ensure coverage or payment. For coverage information, verify the appropriate payer's coverage policy.

✓	Option #	HCPCS	Definition	Price	✓	Option #	HCPCS	Definition	Price
---	----------	-------	------------	-------	---	----------	-------	------------	-------

9. ACCESSORIES

Back Pack (Kids Backpack included)

All Zippie chairs ship with one Kids Backpack at NC

<input type="checkbox"/>	188A1		Utility Backpack - Black	\$55.00
<input type="checkbox"/>	188A2		Additional Zippie Backpack	\$50.00

Seat Pouch

<input type="checkbox"/>	188A8		Black	\$45.00
--------------------------	-------	--	-------	---------

Miscellaneous

<input type="checkbox"/>	188A83		Tool Kit	\$45.00
--------------------------	--------	--	----------	---------

Positioning Belt (w/clamps)

<input type="checkbox"/>	188A112	E0978	1" Dual Pull Side Squeeze Padded	\$85.00
<input type="checkbox"/>	188A117	E0978	Belt 2" Aircraft Buckle	\$110.00
<input type="checkbox"/>	188A118	E0978	Belt 2" Aircraft Buckle Padded	\$120.00
<input type="checkbox"/>	188A141	E0978	Belt 1.5" Auto Buckle w/Clamps	\$70.00
<input type="checkbox"/>	188A814	E0978	JAY 2 Pt Anterior Pelvic Belt 1" Push Btn	\$120.00

Vertical Mount Vent Tray-Back cane Mount

<input type="checkbox"/>	188LF12	E1029	Dovetail Vertical Frame Mounted Hardware for LTV Vent (limit 15#) includes 1 Utility Hook. Must remove for folding.	\$495.00
<input type="checkbox"/>	188LF13	E1029	Dovetail Vertical Frame Mt Hardware for Trilogy Vent (limit 15#) includes 1 Utility Hook Must remove for folding.	\$495.00
<input type="checkbox"/>	188LF7		Utility Hook	\$25.00

Upper Extremity Support Tray

When ordering a tray with full armrest or desk armrest pads, add 1" to seat width to determine best tray size. NA with JAY Arm Trough. Must remove for folding.

<input type="checkbox"/>	188A29	E0950	X-Sm (Suggested 10"-12" Width)	\$250.00
<input type="checkbox"/>	188A30	E0950	Sm (Suggested 13"-14" Width)	\$250.00
<input type="checkbox"/>	188A31	E0950	Med (Suggested 15"-17" Width)	\$250.00
<input type="checkbox"/>	188A32	E0950	Lrg (Suggested 18"-20" Width)	\$250.00

Canopy (SunShade)

Need 2" back post clearance to mount canopy hardware, may require next height based on seating; please note some interference may occur with some headrest configurations. NA with Mono Back. Must remove for folding.

<input type="checkbox"/>	1888A06	K0108	Canopy (Sunshade) 10"-14" Width	\$275.00
<input type="checkbox"/>	1888A07	K0108	Canopy (Sunshade) 15"-20" Width	\$275.00

JAY Anterior Thoracic Support

Style

<input type="checkbox"/>	188JY01		Classic Dynamic	\$187.00
<input type="checkbox"/>	188JY02		Classic Structure	\$187.00
<input type="checkbox"/>	188JY03		Contour Dynamic	\$187.00
<input type="checkbox"/>	188JY04		Contour Structure	\$187.00
<input type="checkbox"/>	188JY05		Center Opening with Buckle	\$187.00

Size

<input type="checkbox"/>	188JZ01		Small	NC
<input type="checkbox"/>	188JZ02		Medium	NC
<input type="checkbox"/>	188JZ03		Large	NC
<input type="checkbox"/>	188JZ04		X-Large	NC

JAY Padded Trunk Strap

<input type="checkbox"/>	188JA01		Padded Trunk Strap - Small	\$187.00
<input type="checkbox"/>	188JA02		Padded Trunk Strap - Medium	\$187.00
<input type="checkbox"/>	188JA03		Padded Trunk Strap - Large	\$187.00
<input type="checkbox"/>	188JA04		Padded Trunk Strap - XL	\$187.00

Spoke Guard

Not available with 12" & 16" rear wheels & Projections Handrims

<input type="checkbox"/>	188A23	K0065	Black	\$115.00
<input type="checkbox"/>	188A303	K0065	Clear Zippie	\$115.00

Anti-Tip

<input type="checkbox"/>	188AT1	E0971	Rear Anti-Tip	\$140.00
--------------------------	--------	-------	---------------	----------

10. FRAME COLOR

Standard Colors

<input type="checkbox"/>	188C140		Aztec Gold	NC
<input type="checkbox"/>	188C2		Black (Not avail as base w/Zebra)	NC
<input type="checkbox"/>	188C141		Black Cherry	NC
<input type="checkbox"/>	188C10		Black Opal	NC
<input type="checkbox"/>	188C38		Blue Opal	NC
<input type="checkbox"/>	188C36		Candy Blue	NC
<input type="checkbox"/>	188C14		Candy Purple	NC
<input type="checkbox"/>	188C35		Candy Red	NC
<input type="checkbox"/>	188C142		Electric Blue	NC
<input type="checkbox"/>	188C143		Evergreen	NC
<input type="checkbox"/>	188C126		Glow	NC
<input type="checkbox"/>	188C144		Green Apple	NC
<input type="checkbox"/>	188C147		Hot Sparkle Pink	NC
<input type="checkbox"/>	188C148		Mauve Pink	NC
<input type="checkbox"/>	188C103		Rootbeer	NC
<input type="checkbox"/>	188C114		Sparkle Silver	NC
<input type="checkbox"/>	188C145		Sunrise Orange	NC
<input type="checkbox"/>	188C113		Titanium Color Paint	NC
<input type="checkbox"/>	188C8		Yellow	NC

Standard Matte Colors

<input type="checkbox"/>	188C116		Matte Black	NC
<input type="checkbox"/>	188C151		Matte Black Cherry	NC
<input type="checkbox"/>	188C152		Matte Purple	NC
<input type="checkbox"/>	188C150		Matte Electric Blue	NC
<input type="checkbox"/>	188C149		Matte Evergreen	NC

Custom Colors

<input type="checkbox"/>	188C43		Mossy Oak Camouflage	\$295.00
<input type="checkbox"/>	188C42		Stars and Stripes	\$295.00
<input type="checkbox"/>	188C108		Zebra (Choose base color above: White Std, n/a black)	\$295.00

Mark For: _____

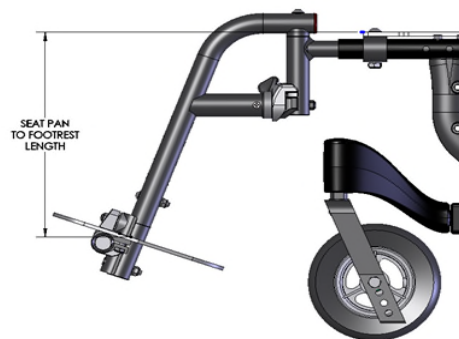
The **HCPCS CODES** provided are based on code verification through PDAC or our interpretation of the code definitions.
 The use of **HCPCS CODES** does not ensure coverage or payment. For coverage information, verify the appropriate payer's coverage policy.

✓ Option # HCPCS Definition Price ✓ Option # HCPCS Definition Price

APPENDIX

Lower Leg Length Matrix

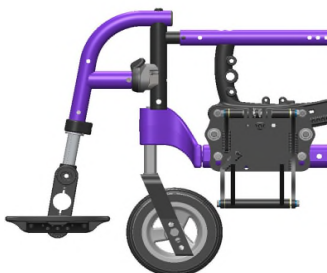
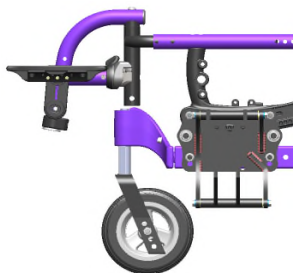
Hanger	Extension	Seat Pan to Top of Footrest		Min Allowable FSH
		Min	Max	
70° Front Mount	No Ext	3 1/2	9	11 1/2
	2"	3 1/2	11 1/2	13 1/2
	4"	3 1/2	13 1/2	15 1/2
80° Front Mount	No Ext	3 1/2	9 1/2	11 1/2
	2"	3 1/2	12	14
	4"	3 1/2	14	16
90° Front Mount	No Ext	3	9	11 1/2
ELR Front Mount	No Ext	3	7	10 1/2
60° Swing In/Out	Short	9	12 1/2	12 1/2
	Med	9	14 1/2	12 1/2
	Long	11 1/2	16	14 1/2
70° Swing In/Out	Short	10 1/2	15 1/2	12 1/2
	Med	10 1/2	17 1/2	13
	Long	13 1/2	19	15
80° Swing In/Out	Short	11	14 1/2	13
	Med	11	16 1/2	13
	Long	13	18	15
ALR	Short	14	17 1/2	12 1/2
	Med	15	19 1/2	13 1/2
	Long	16 1/2	19	14 1/2
ELR Ext. Mount	Short	13	17	12 1/2
	Medium	13	18 1/2	13 1/2
	Long	14 1/2	20	14 1/2



Z-finity Matrix

Direct Hanger Mount

Extension Tube Mount



Direct Hanger Mounted			
Footrest Adaptor	Hanger Mounting Position	Min	Max
Short	High Mount	-0.9	3.4
	Low Mount	2.6	6.7
Long	High Mount	-2.1	4.6
	Low Mount	1.3	7.9

Extension Tube Mounted			
Footrest Adaptor	Extension Tube Length	Min	Max
Short	Hemi Short	3.9	12.4
	Short	4.9	13.4
	Medium	6.6	15.4
Long	Long	8.6	17.4
	Hemi Short	2.6	13.6
	Short	4.1	14.6
	Medium	5.6	16.6
	Long	7.6	18.6

Additional Options Through Built for Me

To inquire about any unique customization for Quickie products, contact: Phone: (800) 333-4000, Fax: (800) 333 9011



Commonly Requested Options Include:

- ✓ Reverse Configuration
- ✓ Angle Adjustable Handle for Reclining Backrest
- ✓ Dual Mount Wheel Locks - Attendant Foot Lock
- ✓ Dynamic Back on Frame Depth up to 20"
- ✓ O2 Holder with Transit
- ✓ IV Pole with Transit
- ✓ Solid Seat w/ Quick Release Hardware for folding frame

