



Phone (800) 981-1540 | Fax (715) 254-0996
 sales@kimobility.com | www.kimobility.com

Company: _____

Ship To: _____

Account Number: _____ Date: _____

Address: _____

Quote PO Number: _____

City: _____ State: _____

RTS: _____

Zip: _____ Phone: _____

Marked For: _____

Email/Fax: _____

Select if chair quote has: Additional Ki Products with Different Quote/Order Number **Quote/Order Number:** _____

Little Wave XP K0005, E1235 **\$2575**
 Little Wave Width Growable Frame. 165 lb weight capacity. Maximum Seat Width of 19".

Effective 08/19/2020

HCPSCS codes provided are based on code verification by the PDAC or our interpretation of the code definitions. Proper use of HCPSCS codes does not ensure coverage or payment. For coverage information, verify the appropriate payer's coverage policy.

Frame

Seat Width

- 10" _____ N/C
- 11" _____ N/C
- 12" _____ N/C
- 13" _____ N/C
- 14" _____ N/C
- 15" _____ N/C
- 16" _____ N/C

Seat Depth

- 10" _____ N/C
- 11" _____ N/C
- 12" _____ N/C
- 13" _____ N/C
- 14" _____ N/C
- 15" _____ N/C
- 16" _____ N/C

Sling Position

In Performance Position (0"), sling is at front of frame. The 1" or 2" sling position extends the frame in front of the sling by that amount. See reference C on page 6.

- 0" (Performance) _____ N/C
- 1" _____ N/C
- 2" (Classic) _____ N/C

Transit

- Transit System _____ N/C
125 lb maximum weight capacity
- Omit Transit _____ N/C

Adjustable Depth

Adds the capability to grow seat in depth

- No Rear Adjustment _____ N/C
- 1/2" _____ N/C
- 1" _____ N/C
- 2" _____ N/C
- 3" _____ N/C

Long Sling

Available only with 1", 2" and 3" Adjustable Depth

- Long Sling _____ N/C
Sling will be maximum 2" longer than seat depth

Seat Option

- Standard Seat Sling _____ N/C
- Solid Seat Pan E2231 _____ \$265
Seat Pan is 1" longer when Long Sling option is selected

Front Frame Bend

Angle between front seat tube and ground. See reference D on page 6.

- 90° _____ N/C
- 85° _____ N/C
- 80° _____ N/C
- 75° _____ N/C
- 70° _____ N/C

Backrest

Back Post / Height Range / Back Height

Back Post	Price	Height Range	Back Height				
Height Adjustable	N/C	<input type="checkbox"/> Short	<input type="checkbox"/> 11 ²	<input type="checkbox"/> 12	<input type="checkbox"/> 13	<input type="checkbox"/> 14	
		<input type="checkbox"/> Medium	<input type="checkbox"/> 13	<input type="checkbox"/> 14	<input type="checkbox"/> 15	<input type="checkbox"/> 16	<input type="checkbox"/> 17
		<input type="checkbox"/> Tall	<input type="checkbox"/> 17	<input type="checkbox"/> 18			
Fixed Height	\$65	<input type="checkbox"/> Fixed	<input type="checkbox"/> 9 ²	<input type="checkbox"/> 10 ²	<input type="checkbox"/> 11 ²	<input type="checkbox"/> 12 ²	<input type="checkbox"/> 13
			<input type="checkbox"/> 14	<input type="checkbox"/> 15	<input type="checkbox"/> 16	<input type="checkbox"/> 17	<input type="checkbox"/> 18
Offset ¹	N/C	<input type="checkbox"/> Offset	<input type="checkbox"/> 11 ²	<input type="checkbox"/> 12 ²	<input type="checkbox"/> 13 ²	<input type="checkbox"/> 14 ²	<input type="checkbox"/> 15
			<input type="checkbox"/> 16	<input type="checkbox"/> 17			

¹ Fixed Height. Adjustable Height Rigidizer Bar Included.

² Not available with Fold Down Push Handle

Offset Back Post Option

Selection required with Offset Back Posts. Not available with Height Adjustable or Fixed Height Back Posts. Each back post is offset 1" creating 2" overall offset.

- 2" Inward Offset _____ \$95
- 2" Outward Offset _____ \$95
Not available with Swing Away Armrests

Push Handle

- Omit Push Handles _____ N/C
- Standard Push Handles _____ \$15
Not available on Offset Back Posts with 11" - 14" Back Heights
- Bolt-On Push Handles _____ \$185
Handles will be 1" - 2" above back height
- Fold Down Push Handle _____ \$110

Backrest continued

Stroller Handle

Stroller Handles are removable and height adjustable

- Ergo Stroller Handle _____ \$185
- Single Stroller Handle _____ \$165
- Double Stroller Handle _____ \$330
Not available with Push Handles or 10" Seat Width

Rigidizer Bar

- Adjustable Height Rigidizer Bar _____ \$15
Included with Offset Back Posts
- Non Adjustable Height Rigidizer Bar _____ N/C

Seat Back Angle

Standard is 90° (perpendicular to floor). Minus (-°) closes back angle. Plus (+°) opens back angle.

- Standard
- +3°
- +6°
- +9°
- 3°
- 6°
- 9°
- 12°

Back Upholstery

Available only with Height Adjustable Back Posts. If selecting both upholstery and Axiom Back, the upholstery will be installed.

- Padded Velcro Adjustable
 - Standard Cover _____ Std
 - Air Mesh Breathable Cover _____ \$75
Not available on chair widths less than 12"
- Tension Adjustable E2611
 - Standard Cover _____ \$315
 - Air Mesh Breathable Cover _____ \$390
Not available on chair widths less than 12"
- Omit Back Upholstery _____ - \$10

Front Seat Height and Casters

Caster Size / Footrest Taper / Front Seat Height

Select Front Seat Height and Footrest Taper in row corresponding to desired Caster Size. 6" Casters not available with Seat Depths less than 13". Footrest Taper indicates bend of front frame creating footrest width. Taper is measured from outside of seat frame to outside of front tube. Taper is not available with 70° Front Frame Bend. See reference E on page 6.

Front Seat Height is measured from floor to top of seat tube at front of seat sling. Adjustable up or down by 1/2". See reference F on page 6.

Footrest Taper	Caster Size	Front Seat Height															
<input type="checkbox"/> Straight	3"	<input type="checkbox"/> 11.5	<input type="checkbox"/> 12	<input type="checkbox"/> 12.5	<input type="checkbox"/> 13	<input type="checkbox"/> 13.5	<input type="checkbox"/> 14	<input type="checkbox"/> 14.5	<input type="checkbox"/> 15	<input type="checkbox"/> 15.5	<input type="checkbox"/> 16	<input type="checkbox"/> 16.5	<input type="checkbox"/> 17	<input type="checkbox"/> 17.5	<input type="checkbox"/> 18	<input type="checkbox"/> 18.5	
	4"	<input type="checkbox"/> 12.5	<input type="checkbox"/> 13	<input type="checkbox"/> 13.5	<input type="checkbox"/> 14	<input type="checkbox"/> 14.5	<input type="checkbox"/> 15	<input type="checkbox"/> 15.5	<input type="checkbox"/> 16	<input type="checkbox"/> 16.5	<input type="checkbox"/> 17	<input type="checkbox"/> 17.5	<input type="checkbox"/> 18	<input type="checkbox"/> 18.5	<input type="checkbox"/> 19	<input type="checkbox"/> 19.5	
	5"	<input type="checkbox"/> 13.5	<input type="checkbox"/> 14	<input type="checkbox"/> 14.5	<input type="checkbox"/> 15	<input type="checkbox"/> 15.5	<input type="checkbox"/> 16	<input type="checkbox"/> 16.5	<input type="checkbox"/> 17	<input type="checkbox"/> 17.5	<input type="checkbox"/> 18	<input type="checkbox"/> 18.5	<input type="checkbox"/> 19	<input type="checkbox"/> 19.5	<input type="checkbox"/> 20	<input type="checkbox"/> 20.5	
	6"	<input type="checkbox"/> 14	<input type="checkbox"/> 14.5	<input type="checkbox"/> 15	<input type="checkbox"/> 15.5	<input type="checkbox"/> 16	<input type="checkbox"/> 16.5	<input type="checkbox"/> 17	<input type="checkbox"/> 17.5	<input type="checkbox"/> 18	<input type="checkbox"/> 18.5	<input type="checkbox"/> 19	<input type="checkbox"/> 19.5	<input type="checkbox"/> 20	<input type="checkbox"/> 20.5		
<input type="checkbox"/> 1" Taper	3"	<input type="checkbox"/> 14.5	<input type="checkbox"/> 15	<input type="checkbox"/> 15.5	<input type="checkbox"/> 16	<input type="checkbox"/> 16.5	<input type="checkbox"/> 17	<input type="checkbox"/> 17.5	<input type="checkbox"/> 18	<input type="checkbox"/> 18.5	<input type="checkbox"/> 19	<input type="checkbox"/> 19.5	<input type="checkbox"/> 20	<input type="checkbox"/> 20.5			
	4"	<input type="checkbox"/> 15.5	<input type="checkbox"/> 16	<input type="checkbox"/> 16.5	<input type="checkbox"/> 17	<input type="checkbox"/> 17.5	<input type="checkbox"/> 18	<input type="checkbox"/> 18.5	<input type="checkbox"/> 19	<input type="checkbox"/> 19.5	<input type="checkbox"/> 20	<input type="checkbox"/> 20.5					
	5"	<input type="checkbox"/> 16.5	<input type="checkbox"/> 17	<input type="checkbox"/> 17.5	<input type="checkbox"/> 18	<input type="checkbox"/> 18.5	<input type="checkbox"/> 19	<input type="checkbox"/> 19.5	<input type="checkbox"/> 20	<input type="checkbox"/> 20.5							
	6"	<input type="checkbox"/> 17	<input type="checkbox"/> 17.5	<input type="checkbox"/> 18	<input type="checkbox"/> 18.5	<input type="checkbox"/> 19	<input type="checkbox"/> 19.5	<input type="checkbox"/> 20	<input type="checkbox"/> 20.5								

Caster Type

Caster Type		Price	Caster Size			
			3"	4"	5"	6"
<input type="checkbox"/>	.75" Rollerblade	N/C	<input type="checkbox"/>	<input type="checkbox"/>		
	.75" Lighted Rollerblade	\$75	<input type="checkbox"/>	<input type="checkbox"/>	<input type="checkbox"/>	
	1" Poly	N/C		<input type="checkbox"/>	<input type="checkbox"/>	<input type="checkbox"/>
	1" Poly Aluminum	\$125		<input type="checkbox"/>	<input type="checkbox"/>	
	1" Pneumatic	\$85				<input type="checkbox"/>
	1.5" Poly	\$50		<input type="checkbox"/>	<input type="checkbox"/>	<input type="checkbox"/>
	1.5" Soft Roll Aluminum	\$180	<input type="checkbox"/>	<input type="checkbox"/>	<input type="checkbox"/>	<input type="checkbox"/>

Fork Options

- Standard Fork _____ Std
- Single Sided Fork _____ \$135
Not available with 6" Casters
- Frog Legs Ultra-Sport Fork - Black E1015 _____ \$425
 - User Weight Under 80 lbs
 - User Weight 80 - 120 lbs
 - User Weight 120 - 160 lbs
- Frog Legs PHASE 2 Carbon Fork _____ \$425
Lightweight shock absorbing fork.

Footrest

Footplate

- Tubular "Open" Footplate _____ N/C
Not available with footrest widths less than 9.5". See Reference G on page 6.
- Tubular Footplate with ABS Cover _____ \$30
Not available with footrest widths less than 9.5". See Reference G on page 6.
- Aluminum Angle Adjustable K0040 _____ \$95
- Aluminum Angle Adjustable with Riser K0040, K0037 _____ \$185
- High Mount Aluminum Angle Adjustable K0040, K0037 _____ \$160
- Angle Adjustable Flip Under K0040, K0037 _____ \$185
Not available with footrest widths less than 9.5". See Reference G on page 6.
- High Mount Angle Adjustable Flip Under K0040, K0037 _____ \$270

Seat to Footrest Length

Measured from front edge of seat sling to top, rear of footrest. Footrest length at least 2.5" shorter than Front Seat Height recommended. See reference H on page 6.

<input type="checkbox"/> 5.5"	<input type="checkbox"/> 6"	<input type="checkbox"/> 6.5"	<input type="checkbox"/> 7"	<input type="checkbox"/> 7.5"	<input type="checkbox"/> 8"
<input type="checkbox"/> 8.5"	<input type="checkbox"/> 9"	<input type="checkbox"/> 9.5"	<input type="checkbox"/> 10"	<input type="checkbox"/> 10.5"	<input type="checkbox"/> 11"
<input type="checkbox"/> 11.5"	<input type="checkbox"/> 12"	<input type="checkbox"/> 12.5"	<input type="checkbox"/> 13"	<input type="checkbox"/> 13.5"	<input type="checkbox"/> 14"
<input type="checkbox"/> 14.5"	<input type="checkbox"/> 15"	<input type="checkbox"/> 15.5"	<input type="checkbox"/> 16"	<input type="checkbox"/> 16.5"	<input type="checkbox"/> 17"

Rear Seat Height and Wheels

Wheel Size / Rear Seat Height

Select Rear Seat Height in row corresponding to desired Wheel Size. For proper setup, selection is required when omitting rear wheels. Measured from floor to top of seat tube at front of back post. Rear Seat Height is custom to needs. See reference I on page 6.

Wheel Size	Rear Seat Height															
18"	<input type="checkbox"/> 11.5 ¹	<input type="checkbox"/> 12	<input type="checkbox"/> 12.5	<input type="checkbox"/> 13	<input type="checkbox"/> 13.5	<input type="checkbox"/> 14	<input type="checkbox"/> 14.5	<input type="checkbox"/> 15	<input type="checkbox"/> 15.5	<input type="checkbox"/> 16	<input type="checkbox"/> 16.5	<input type="checkbox"/> 17	<input type="checkbox"/> 17.5	<input type="checkbox"/> 18	<input type="checkbox"/> 18.5	<input type="checkbox"/> 19
20"	<input type="checkbox"/> 12.5 ¹	<input type="checkbox"/> 13	<input type="checkbox"/> 13.5	<input type="checkbox"/> 14	<input type="checkbox"/> 14.5	<input type="checkbox"/> 15	<input type="checkbox"/> 15.5	<input type="checkbox"/> 16	<input type="checkbox"/> 16.5	<input type="checkbox"/> 17	<input type="checkbox"/> 17.5	<input type="checkbox"/> 18	<input type="checkbox"/> 18.5	<input type="checkbox"/> 19	<input type="checkbox"/> 19.5	<input type="checkbox"/> 20
22"	<input type="checkbox"/> 13.5 ¹	<input type="checkbox"/> 14	<input type="checkbox"/> 14.5	<input type="checkbox"/> 15	<input type="checkbox"/> 15.5	<input type="checkbox"/> 16	<input type="checkbox"/> 16.5	<input type="checkbox"/> 17	<input type="checkbox"/> 17.5	<input type="checkbox"/> 18	<input type="checkbox"/> 18.5	<input type="checkbox"/> 19	<input type="checkbox"/> 19.5	<input type="checkbox"/> 20		
24"	<input type="checkbox"/> 14.5 ¹	<input type="checkbox"/> 15	<input type="checkbox"/> 15.5	<input type="checkbox"/> 16	<input type="checkbox"/> 16.5	<input type="checkbox"/> 17	<input type="checkbox"/> 17.5	<input type="checkbox"/> 18	<input type="checkbox"/> 18.5	<input type="checkbox"/> 19	<input type="checkbox"/> 19.5	<input type="checkbox"/> 20				

¹ Available only with Low Profile tires

Rear Wheel Type

		Rear Wheel Size				
		Price	18"	20"	22"	24"
Rear Wheel	MAXX Performance Spoke	N/C	<input type="checkbox"/>	<input type="checkbox"/>	<input type="checkbox"/>	<input type="checkbox"/>
	Mag	\$50		<input type="checkbox"/>	<input type="checkbox"/>	<input type="checkbox"/>
	Spinergy Spox	\$835		<input type="checkbox"/>	<input type="checkbox"/>	<input type="checkbox"/>

Spinergy Options

Select spoke color and handrim tab for Spinergy wheels

Spoke Color:

- Black Red White Blue Yellow

Handrim Tab:

Available only with Aluminum Anodized and Plastic Coated Handrims

- Short Tab _____ N/C
 Long Tab _____ N/C

Rear Tire Type

Full Profile

- Street Pneumatic 1 3/8" E2211, E2212 _____ Std
- Full Poly 1 3/8" E2218 _____ \$75
- Pneumatic with Airless Insert 1 3/8" E2211, E2213 _____ \$95

Low Profile

- Low Poly 1" E2218 _____ \$75
- High Pressure 1" E2211, E2212 _____ \$95
Not available on Mag wheel or 18" wheel size
- Schwalbe Marathon Plus Evolution 1" E2211, E2212 _____ \$135
Available only on 24" MAXX Performance or Spinergy wheels

Handrim

Standard Handrims

- Aluminum Anodized _____ Std
- Plastic Coated _____ \$100
- Projection (8 Vertical Projections) _____ \$315
Available only with full profile tires in combination with 22"-24" MAXX Performance or 24" Mag wheel
- Omit Handrim _____ N/C

Natural Fit Handrims

Not available on 18" or 20" wheel sizes or 22" Mag wheel. Not recommended with Mag wheel.

- Natural Fit LT Regular Grip _____ \$465
- Natural Fit Standard Regular Grip _____ \$445
- Natural Fit LT Super Grip _____ \$515
- Natural Fit Standard Super Grip _____ \$495
- Natural Fit LT Omit Grip _____ \$395
- Natural Fit Standard Omit Grip _____ \$345

Handrim Option

- 3M Micro Grip _____ \$65
Not available on Plastic Coated or Projection Handrims

Rear Seat Height and Wheels continued

Rear Wheel Spacing

Measured from outside of back to inside of rear tire. Adjustable out 1/2" from setting. 1.5" minimum Rear Wheel Spacing with Height Adjustable T-Arm Armrest, 1.25" minimum with Height Adjustable Pediatric Desk Armrest, 1" minimum with 0° Rear Wheel Camber. See reference K on page 6. No selection needed with Wheelchair Drive Ready option.

- .75" 1" 1.25" 1.5" 1.75"

Rear Wheel Camber

- 0° 2° 4° 6° 8°

Wheelchair Drive Ready

Chair will ship from Ki Mobility with adaption kit installed for selected Alber system. Order system separately from Alber USA. Select Rear Seat Height (full profile selections only) in drive wheel size on Rear Seat Height chart (page 3). Requires Rear Anti-Tips. Not available with 5th Wheel or Spinergy wheels.

- e-motion Ready _____ N/C
 twion Ready _____ N/C
 Camber Selection: 0° 3°

Wheel Locks

Wheel Lock

- Push to Lock _____ Std
 Pull to Lock _____ N/C
 Short Thro Scissor Lock _____ \$125
 Low Profile Scissor Lock _____ \$65
Not available with Low Poly or Full Poly tires
 Omit Wheel Locks _____ N/C

Armrests

Armrest

- Height Adjustable T-Arm E0973
Not available with Seat Depths less than 13". 1.5" minimum Rear Wheel Spacing.
 Desk (8.5" - 13.5") _____ \$275
 Full (8.5" - 13.5") _____ \$275
- Height Adjustable T-Arm Low E0973
Not available with Seat Depths less than 12". 1.5" minimum Rear Wheel Spacing.
 Desk (7.5" - 11.5") _____ \$275
 Full (7.5" - 11.5") _____ \$275
- Angle Adjustable Locking Extendable Flip Up E0973
Requires Fixed Height Backrest and Adjustable Height Rigidizer Bar. Not available with back heights less than 12".
 Desk _____ \$265
 Full _____ \$265
- Height Adjustable Pediatric Desk (6.5" - 10") E0973 _____ \$225
Best fit with Seat Depths less than 14". 1.25" minimum Rear Wheel Spacing.
- Tubular Flip Up _____ \$50
Requires Fixed Height Backrest and Adjustable Height Rigidizer Bar. Not available with Arm Pads, Back Heights less than 13" or Back Heights less than 14" with Offset.
- Swing Away (8.5" - 12.5") E0973 _____ \$210
Not available with Transit System AND more than 2" Adjustable Depth. Not available with Arm Pads or Outward Offset Back Posts.
- Omit Armrests _____ N/C

Center of Gravity Preset

Measured from front of back post to center of rear axle. 0" indicates axle will be directly under back post. See reference J on page 6.

Amputee Positions

<input type="checkbox"/> -1.5"	<input type="checkbox"/> -1.25"	<input type="checkbox"/> -1"	<input type="checkbox"/> -.75"
<input type="checkbox"/> -.5"	<input type="checkbox"/> -.25"	<input type="checkbox"/> 0"	<input type="checkbox"/> .25"

Standard Positions

<input type="checkbox"/> .5"	<input type="checkbox"/> .75"	<input type="checkbox"/> 1"	<input type="checkbox"/> 1.25"
<input type="checkbox"/> 1.5"	<input type="checkbox"/> 1.75"	<input type="checkbox"/> 2"	<input type="checkbox"/> 2.25"
<input type="checkbox"/> 2.5"	<input type="checkbox"/> 2.75"	<input type="checkbox"/> 3"	<input type="checkbox"/> 3.25"
<input type="checkbox"/> 3.5"	<input type="checkbox"/> 3.75"	<input type="checkbox"/> 4"	<input type="checkbox"/> 4.25"

Axle

- Quick Release _____ Std
 Quad Quick Release _____ \$185
Not available with Mag or Spinergy wheels

Wheel Lock Options

- Extension Handles E0961 _____ \$70
Available only with Push to Lock or Pull to Lock Wheel Locks
 Grade Aids E0974 _____ \$150
Available only with Push to Lock Wheel Locks and Pneumatic or Pneumatic w/ Airless Insert tires

Arm Pad

- Not available with Tubular Flip Up or Swing Away Armrests. Full Arm Pads not available with Height Adjustable Pediatric Desk Armrests.**
- Standard Arm Pad _____ N/C
 Waterfall Arm Pad _____ \$25
Not available with Angle Adjustable Locking Extendable Flip Up Armrests
 Foam Grip _____ N/C
Available only with Angle Adjustable Locking Extendable Flip Up Armrest

Side Guards

Not available with T-Arms or Height Adjustable Pediatric Desk Armrests

Direct Mount

- Composite Side Guards - Adult (14" - 16") K0108 _____ \$140
12" minimum Seat Depth
- Composite Side Guards - Pediatric (10" - 14") K0108 _____ \$140

Clamp-On Mount

- Aluminum Adjustable Fender with Foam Pad K0108
- Black Matte _____ \$305
- Match Frame Color _____ \$355
Not available with Hydrographics

Accessories

5th Wheel

Rotating removable rear caster. Not available with anti-tips. See reference L on page 6.

- Standard 5th Wheel E0971 _____ \$215
- Dynamic 5th Wheel K0108 _____ \$215
Elastomer: Soft Firm
Both elastomers are included; the selected elastomer will be installed

Anti-Tip

- Rear Anti-Tips E0971 _____ \$145
Not available with 5th Wheel
- Omit Rear Anti-Tips _____ N/C

Calf Strap

- Velcro Adjustable K0038 _____ \$40
- Padded Velcro Adjustable K0038 _____ \$68
- Bodypoint Padded AeroMesh K0038 _____ \$102

Positioning Belt

- 1" Auto Buckle E0978 _____ \$70
- 1" Padded Auto Buckle E0978 _____ \$155
- 1 1/2" Auto Buckle E0978 _____ \$70
- 1 1/2" Padded Auto Buckle E0978 _____ \$155
- 2" Airline Buckle E0978 _____ \$110
- Bodypoint Evoflex - Pelvic Stabilizer E0978 _____ \$183
Size: Small (16-24") Medium (19-29") Large (25-37")

Belt Mounting Kit

- Ki Mobility Belt Mounting Clamp _____ \$35
- Bodypoint Belt Mounting Bracket Kit _____ \$105

Other Accessories

- Tool Kit _____ \$45
- Removable Underseat Pouch _____ \$50
- Pediatric Ki Mobility Backpack _____ \$65
- Ki Mobility Backpack _____ \$65
Best fit on chairs more than 10" wide
- Luggage Carrier _____ \$85
- Black Neoprene Impact Guards _____ \$90
- Clear Spoke Guards K0065 _____ \$115
Not available with Mag wheel
- Black Spoke Guards K0065 _____ \$115
Not available with 18" or 20" wheel sizes or Mag wheel
- Cane and Crutch Holder _____ \$195

Frame Color

Gloss Finish

- Black _____ N/C
- Blue Skies _____ N/C
- Bubblegum Pink _____ N/C
- Candy Blue _____ N/C
- Candy Purple _____ N/C
- Candy Red _____ N/C
- Copper _____ N/C
- Granny Smith _____ N/C
- Metallic Orange _____ N/C
- Yellow _____ N/C

Matte Finish

- Charcoal Gray _____ N/C
- Emerald Green _____ N/C
- Iridescent Burgundy _____ N/C
- Iridescent Navy _____ N/C
- Military Green _____ N/C
- Retro Red _____ N/C
- Royal Blue _____ N/C
- Shadow Black _____ N/C
- Smooth White _____ N/C

Hydrographics

- Hydrographics _____ \$695
- AOR1 (Desert Digital Camo) Pink Camo
- Muddy Girl NEXT Camo
- Carbon Fiber¹ Zebra¹

¹Select Hydrographics Base Color. Zebra not available in Black.

- Hydrographics Base Color _____ N/C
- Black Blue Granny Smith Pink Purple Red

References

A. Seat Width See Diagram 1

Measured from outside of frame tube on one side to outside of frame tube on other side.

B. Seat Depth See Diagram 3

Measured from front of back posts to front edge of seat sling. Seat sling starts at beginning of bend at front of frame.

C. Sling Position See Diagram 2

In Performance Position (0"), sling is at front of frame to keep chair shorter and more maneuverable. The 1" or 2" seat sling position extends the frame in front of the sling by that amount. Adding more frame can improve stability and provide support to aid in transfers.

D. Front Frame Bend See Diagram 3

Angle between front seat tube and ground.

E. Footrest Taper See Diagram 1

Indicates bend of front frame creating footrest. Taper is measured from outside of seat frame to outside of front tube.

F. Front Seat Height See Diagram 1

Measured from floor to top of seat tube at front of seat sling.

G. Footrest Width See Diagram 1

Measured from inside of front tube to inside of front tube on other side. Footrest width is listed below for each seat width and taper.

Seat Width	Straight	1" Taper
Outside Measurement	2" Narrower than Seat Width	4" Narrower than Seat Width
10"	7.5"	
11"	8.5"	
12"	9.5"	7.5"
13"	10.5"	8.5"
14"	11.5"	9.5"
15"	12.5"	10.5"
16"	13.5"	11.5"

H. Seat to Footrest Length See Diagram 3

Measured from front edge of seat sling to top rear of footrest. Footrest length of at least 2.5" shorter than front seat height recommended.

I. Rear Seat Height See Diagram 3

Measured from floor to top of seat tube at front of back post. Rear seat height is custom to needs.

J. Center of Gravity Preset See Diagram 3

Measured from front of back post to center of rear axle. 0" indicates axle will be directly under back post.

K. Rear Wheel Spacing See Diagram 1

Measured from outside of seat back to inside of rear tire. Adjustable out .5" from setting.

L. 5th Wheel See Diagram 4

Rotating removable 5th wheel allows for aggressive center of gravity positioning of the rear wheels.

Diagram 1

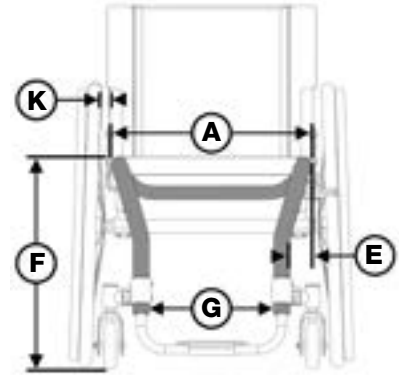


Diagram 2

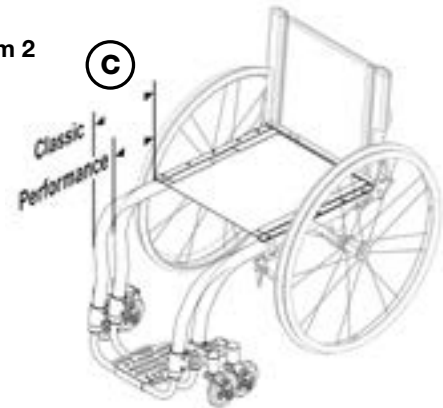


Diagram 3

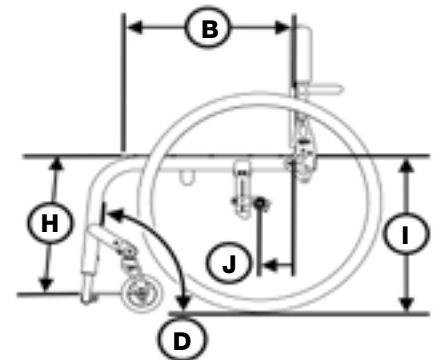


Diagram 4



Axiom Back Accessories continued

Lateral Support

Laterals for Posterior Back					Item Code	HCP	Pair	Each
Pair	Left	Right	Description					
<input type="checkbox"/>	<input type="checkbox"/>	<input type="checkbox"/>	3 x 4 Lateral Pads with Fixed Mounting Hardware for Axiom Posterior Back	LF3x4P	E0956	\$305	\$153	
<input type="checkbox"/>	<input type="checkbox"/>	<input type="checkbox"/>	4 x 5 Lateral Pads with Fixed Mounting Hardware for Axiom Posterior Back	LF4x5P	E0956	\$305	\$153	
<input type="checkbox"/>	<input type="checkbox"/>	<input type="checkbox"/>	3 x 4 Lateral Pads with Swing Away Mounting Hardware for Axiom Posterior Back	LS3x4P	E0956, E1028	\$650	\$325	
<input type="checkbox"/>	<input type="checkbox"/>	<input type="checkbox"/>	4 x 5 Lateral Pads with Swing Away Mounting Hardware for Axiom Posterior Back	LS4x5P	E0956, E1028	\$650	\$325	

Laterals for Posterior Lateral Back

Pair	Left	Right	Description	Item Code	HCP	Pair	Each
<input type="checkbox"/>	<input type="checkbox"/>	<input type="checkbox"/>	3 x 4 Lateral Pads with Fixed Mounting Hardware for Axiom Posterior Lateral Back	LF3x4L	E0956	\$305	\$153
<input type="checkbox"/>	<input type="checkbox"/>	<input type="checkbox"/>	4 x 5 Lateral Pads with Fixed Mounting Hardware for Axiom Posterior Lateral Back	LF4x5L	E0956	\$305	\$153
<input type="checkbox"/>	<input type="checkbox"/>	<input type="checkbox"/>	3 x 4 Lateral Pads with Swing Away Mounting Hardware for Axiom Posterior Lateral Back	LS3x4L	E0956, E1028	\$650	\$325
<input type="checkbox"/>	<input type="checkbox"/>	<input type="checkbox"/>	4 x 5 Lateral Pads with Swing Away Mounting Hardware for Axiom Posterior Lateral Back	LS4x5L	E0956, E1028	\$650	\$325

Lumbar Pads

Available only with Axiom Lateral Back and Axiom Deep Lateral back

	Description	Item Code	HCP	Retail
<input type="checkbox"/>	Lumbar Pad 12"	L12	K0108	\$48
<input type="checkbox"/>	Lumbar Pad 14"	L14	K0108	\$48
<input type="checkbox"/>	Lumbar Pad 16"	L16	K0108	\$48
<input type="checkbox"/>	Lumbar Pad 18"	L18	K0108	\$48
<input type="checkbox"/>	Lumbar Pad 20"	L20	K0108	\$48
<input type="checkbox"/>	Lumbar Pad 22"	L22	K0108	\$48

Privacy Flap

	Description	Item Code	HCP	Retail
<input type="checkbox"/>	Privacy Flap 12"	PF12	K0108	\$45
<input type="checkbox"/>	Privacy Flap 14"	PF14	K0108	\$45
<input type="checkbox"/>	Privacy Flap 16"	PF16	K0108	\$45
<input type="checkbox"/>	Privacy Flap 18"	PF18	K0108	\$45
<input type="checkbox"/>	Privacy Flap 20"	PF20	K0108	\$45
<input type="checkbox"/>	Privacy Flap 22"	PF22	K0108	\$45

Axiom Back Accessories continued

Therafin Posture Support

Selection of a modification from the Axiom Back Modifications section required in order to mount posture supports. Not available with Low Backs.

	Description	Item Code	HCPC	Retail
<input type="checkbox"/>	Small Static Therafit 2-Piece Chest Strap with H & L Adj and 1" Safety Strap	60153T	E0960	\$144
<input type="checkbox"/>	Medium Static Therafit 2-Piece Chest Strap with H & L Adj and 1" Safety Strap	60154T	E0960	\$144
<input type="checkbox"/>	Large Static Therafit 2-Piece Chest Strap with H & L Adj and 1" Safety Strap	60155T	E0960	\$144
<input type="checkbox"/>	Small Dynamic Therafit Chest Strap with Dual D-Ring Adjustment	60110T	E0960	\$113
<input type="checkbox"/>	Medium Dynamic Therafit Chest Strap with Dual D-Ring Adjustment	60111T	E0960	\$113
<input type="checkbox"/>	Large Dynamic Therafit Chest Strap with Dual D-Ring Adjustment	60112T	E0960	\$113
<input type="checkbox"/>	Small Dynamic Therafit Comfortfit Full Vest	30589T	E0960	\$167
<input type="checkbox"/>	Medium Dynamic Therafit Comfortfit Full Vest	30590T	E0960	\$167
<input type="checkbox"/>	Large Dynamic Therafit Comfortfit Full Vest	30591T	E0960	\$167
<input type="checkbox"/>	XLarge Dynamic Therafit Comfortfit Full Vest	30592T	E0960	\$167
<input type="checkbox"/>	XXLarge Dynamic Therafit Comfortfit Full Vest	30593T	E0960	\$167
<input type="checkbox"/>	Small Dynamic Therafit Comfortfit Trim Vest	30618T	E0960	\$169
<input type="checkbox"/>	Medium Dynamic Therafit Comfortfit Trim Vest	30619T	E0960	\$169
<input type="checkbox"/>	Large Dynamic Therafit Comfortfit Trim Vest	30620T	E0960	\$169
<input type="checkbox"/>	XLarge Dynamic Therafit Comfortfit Trim Vest	30621T	E0960	\$169
<input type="checkbox"/>	XXLarge Dynamic Therafit Comfortfit Trim Vest	30622T	E0960	\$169

Axiom Back Modifications

Extended lead times will apply for all modifications

Axiom Back Modifications

Choose modification to add holes to the back shell in order to mount posture supports. Not available with Low Backs.

	Description	Item Code	HCPC	Retail
<input type="checkbox"/>	Modification for 4 Point Harness	AXM4PT	K0108	N/C
<input type="checkbox"/>	Modification for 2 Point Chest Strap	AXM2PT	K0108	N/C
<input type="checkbox"/>	Modification for Shoulder Guides <i>Includes shoulder guides</i>	AXMSG	K0108	\$50

Painted Back Shell Modification

If no selection is made, standard Shadow Black will be used with no additional lead time

	Gloss Finish	Item Code	Retail
<input type="checkbox"/>	Black	AXMBLK	N/C
<input type="checkbox"/>	Blue Skies	AXMSKY	N/C
<input type="checkbox"/>	Bubblegum Pink	AXMPNK	N/C
<input type="checkbox"/>	Candy Blue	AXMCBL	N/C
<input type="checkbox"/>	Candy Purple	AXMPUR	N/C
<input type="checkbox"/>	Candy Red	AXMRED	N/C
<input type="checkbox"/>	Copper	AXMCOP	N/C
<input type="checkbox"/>	Granny Smith	AXMGSM	N/C
<input type="checkbox"/>	Metallic Orange	AXMMOR	N/C
<input type="checkbox"/>	Silver	AXMSIL	N/C
<input type="checkbox"/>	Teal	AXMTEA	N/C
<input type="checkbox"/>	Yellow	AXMYLW	N/C

	Matte Finish	Item Code	Retail
<input type="checkbox"/>	Charcoal Gray	AXMCGM	N/C
<input type="checkbox"/>	Emerald Green	AXMEGM	N/C
<input type="checkbox"/>	Iridescent Burgundy	AXMIBM	N/C
<input type="checkbox"/>	Iridescent Navy	AXMINM	N/C
<input type="checkbox"/>	Military Green	AXMAGM	N/C
<input type="checkbox"/>	Retro Red	AXMRRM	N/C
<input type="checkbox"/>	Royal Blue	AXMRBM	N/C
<input type="checkbox"/>	Smooth White	AXMSWM	N/C