

Mounting Instruction

Ulrich Alber GmbH
Vor dem Weissen Stein 21
D . 72461 Albstadt
Telefon: +49 7432 . 20 06 0
Internet: www.ulrich-alber.de



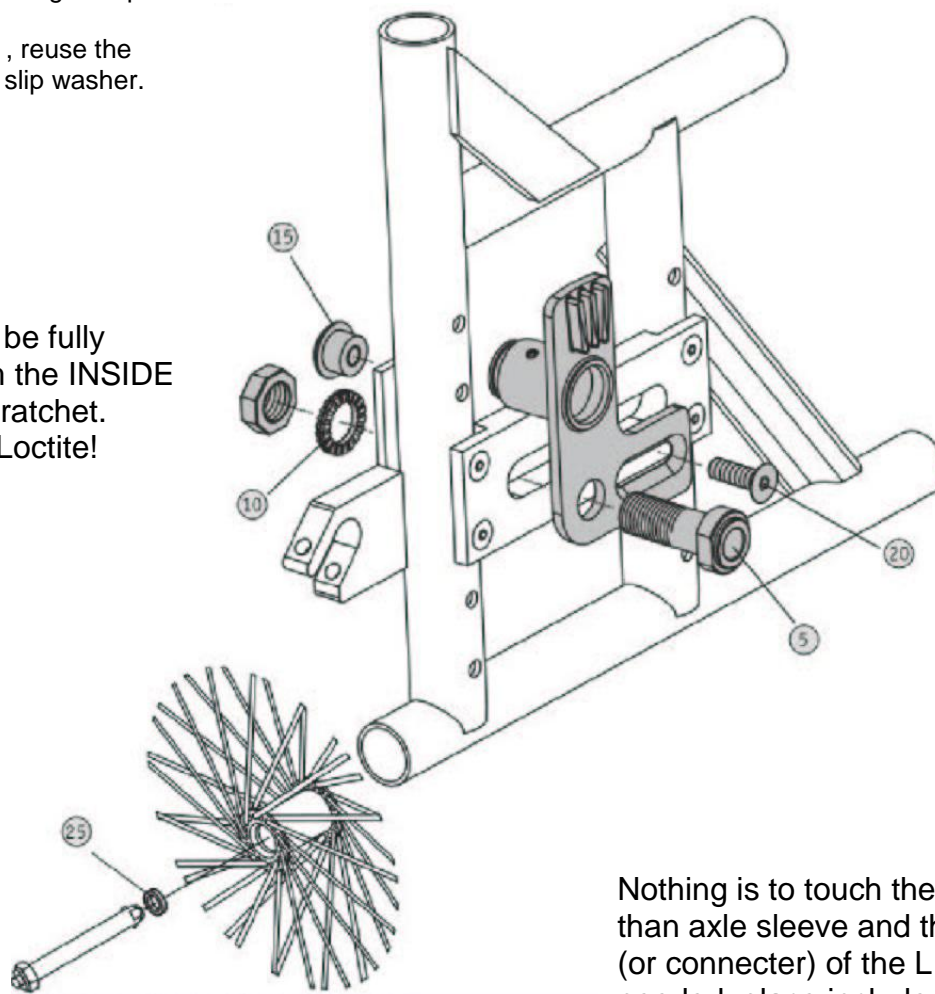
Wheelchair: **Universal L Bracket** (for adjustable axle plates)
Article number: 1465861/1466024

Please note that the bracket may slightly differ from the drawing.

Up to 2° camber allowable. If excessive, remove washers from behind existing axle plate.

On Quickie 2's , reuse the inside notched slip washer.

Axle nut must be fully tightened from the **INSIDE** with a 24 mm ratchet. Must use red Loctite!



Place small spacer on axle of **manual** wheels to alleviate any lateral slop.

Nothing is to touch the wheel other than axle sleeve and the 3 prongs (or connector) of the L bracket. If needed, place included spacers **between** L bracket and the existing axle plate.

!!! Caution, any mounting must be done by personnel authorized by the manufacturer !!!