

Quickie® IRIS Ordering Guide

I Frame Set Up By Quickie (section A on Order Form)

A rotation-in-space chair is based on the concept of rotating both the seat frame and the user's center-of-gravity around the same fixed point. As such, the Quickie Iris requires positioning the center-of-rotation and the center-of-gravity as close together as possible. To achieve this, Quickie has included a "Frame Depth Set Up By Quickie" section on the order form. Completion of this section provides the necessary information to pre-configure a chair for the optimal frame set-up. Sometimes additional minor adjustments may be required after set up.

Listed below are a set of measurement guidelines for selecting the correct values in the "Frame Depth Set Up By Quickie" section. Please use these guidelines and definitions when completing this section of the order form.

DESIRED SEAT DEPTH

The seat-surface length required to accommodate the client in a properly seated position (A).

USER'S SEATED HEIGHT

Distance from the seat surface to the top of the head (B)

Select from one of these two options:

- Less than 37" 37" or greater

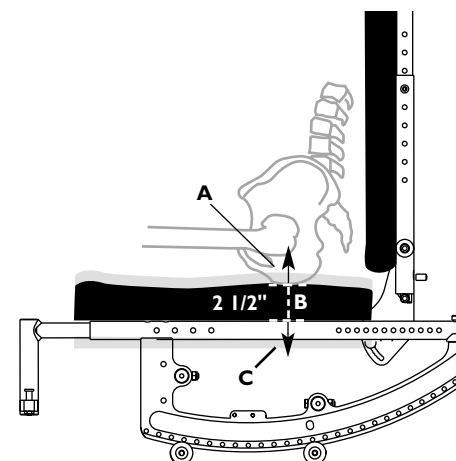
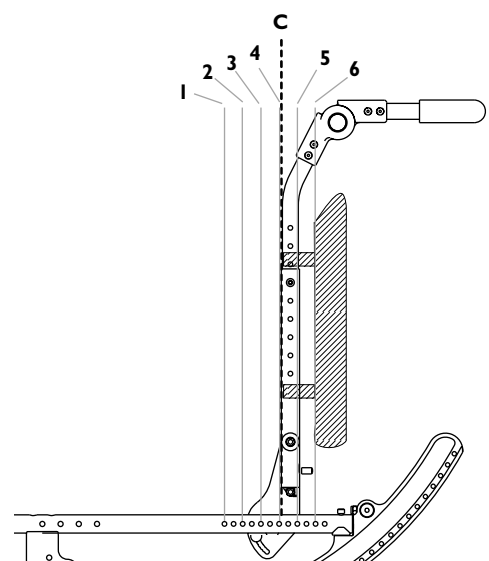
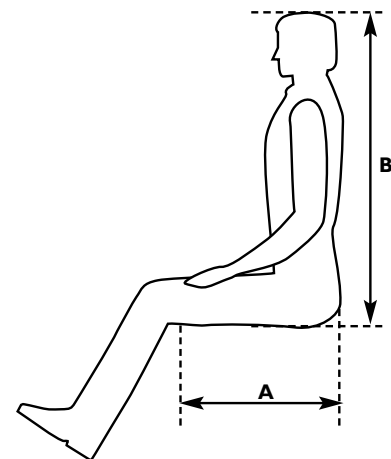
USER'S WEIGHT (LBS.)

Weight of the user (Select from one of these 3 weight ranges):

- 0-248 lbs 250-299 lbs 300-350 lbs

BACK TYPE

The "back type" is the location of the backrest surface in relation to the front of the back post. This measurement is taken from the front surface of the back post (C) to the deepest area of the backrest in contact with the user's body.



Back Type	
1	3" forward (+3")
2	2" forward (+2")
3	1" forward (+1")
4	Flush
5	1" rearward (-1")
6	2" rearward (-2")

TOP OF THE CUSHION TO THE SEAT RAIL

This measurement is taken from the top of the cushion to the upper surface of the seat rail. If the cushion has a wedged shape and/or has significant lateral pelvic contour, then determine the height of the cushion at the point where the ischial tuberosities would contact (not immerse) the cushion surface.

Select from one of the following three choices:

- A. 2 1/2" and Greater
B. Less than 2 1/2"
C. Below Seat Rail



2 Frame Set Up By Depth

(back-post location, section B on order form)

The "Frame Set Up by Depth" table listed below is primarily designed as a guide for ordering stock versions of the Quickie IRIS. This table provides a predetermined frame depth set-up based on a flush-mounted back type (frame depth column). The table outlines the various seat depths obtainable using other back type configurations. (See "back type" definition in section 1.)

Possible Seat Depth by Back Type (without replacing seat rails or backpost brackets)						
Frame Depth	3" Forward	2" Forward	1" Forward	Flush	1" Rearward	2" Rearward
15"	15", 16"	15", 16", 17"	15", 16", 17", 18"	15", 16", 17", 18", 19"	16", 17", 18", 19"	17", 18", 19"
16"	15", 16"	15", 16", 17"	15", 16", 17", 18"	15", 16", 17", 18", 19"	16", 17", 18", 19"	17", 18", 19"
17"	15", 16"	15", 16", 17"	15", 16", 17", 18"	15", 16", 17", 18", 19"	16", 17", 18", 19"	17", 18", 19"
18"	17", 18"	17", 18", 19"	17", 18", 19", 20"	17", 18", 19", 20", 21"	18", 19", 20", 21"	19", 20", 21"
19"	17", 18"	17", 18", 19"	17", 18", 19", 20"	17", 18", 19", 20", 21"	18", 19", 20", 21"	19", 20", 21"
20"	18", 19"	18", 19", 20"	18", 19", 20", 21"	18", 19", 20", 21", 22"	19", 20", 21", 22"	20", 21", 22"
21"	18", 19"	18", 19", 20"	18", 19", 20", 21"	18", 19", 20", 21", 22"	19", 20", 21", 22"	20", 21", 22"
22"	18", 19"	18", 19", 20"	18", 19", 20", 21"	18", 19", 20", 21", 22"	19", 20", 21", 22"	20", 21", 22"

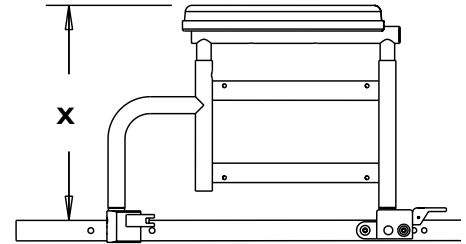
3 Chair Specifications

3.1 ARMREST HEIGHT

Armrest	Low	High
Dual Post	10"	N/A
Dual Post Flip Back	10"	N/A
Dual Post Height Adjustable	10"	15 1/4"
Dual Post Flip Back Height Adjustable	10"	15 1/4"
Height Adjustable Kids	10 1/2"	15 3/4"
Height Adjustable Adult	10 1/2"	15 3/4"
Length Adjustable Locking Flip up* (short)	8 1/2"	14 1/2"
Length Adjustable Locking Flip up* (medium)	8 1/2"	16 1/2"
Length Adjustable Locking Flip up* (long)	8 1/2"	18 1/2"
Locking Flip up* (short)	8 1/2"	14 1/2"
Locking Flip up* (medium)	8 1/2"	16 1/2"
Locking Flip up* (long)	8 1/2"	18 1/2"
Length Adjustable Locking Flip up**	8"	12"
Locking Flip up**	8"	12"

*In combination with the Stroller Handle Back Post

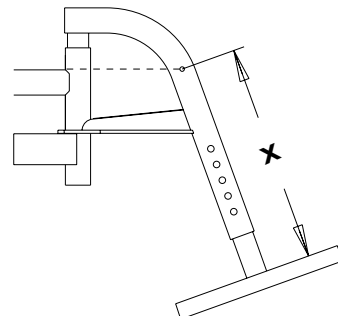
**In combination with Height Adjustable Back with Adjustable Stroller Handle



3.2 FOOTREST LENGTH

Footrest (front mount)	Reg	2" Extension	4" Extension
90 Deg. Swing-away (front mount)	3" - 9"	10 1/2"-11 1/2"	10 1/2"-13 1/2"
70, 80 Deg. Swing-away (front mount)	3 1/2" 9 1/2"	11" - 12"	11" - 14"
90 Deg. Heavy Duty (front mount)	2" - 8"	9 1/2"-10 1/2"	9 1/2"-12 1/2"
70, 80 Deg. Heavy Duty (front mount)	8"- 12"	13 1/2"- 14 1/2"	13 1/2"- 16 1/2"

Footrest (Swing-away)	Short	Medium	Long	X-Long
70, 80 Deg. Swing-away (With extension tubes)	10 1/2" 14 1/2"	12" - 16"	14 1/2"- 18 1/2"	16 1/2" 20 1/2"
ALR	N/A	13" - 17"	15 1/2"- 19 1/2"	17 1/2" 21 1/2"

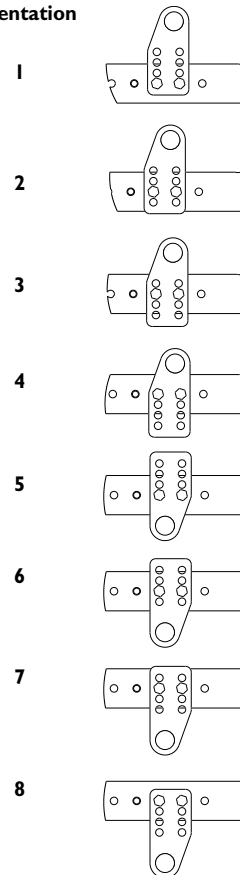


3.3 SEAT-TO-FLOOR HEIGHTS

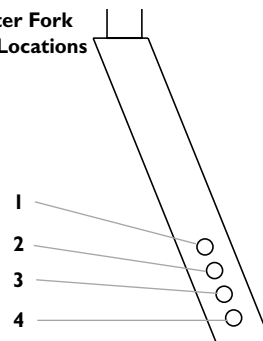
The seat-to-floor height matrix provides the recommended wheel/caster combinations necessary to maintain a level base frame and maximize adjustability. Use the table below when adjusting seat-to-floor heights. This table indicates the correct fork and stem and the appropriate set-up to obtain one of the listed heights. It also includes the matching rear wheel axle plate position.

SEAT-TO-FLOOR HEIGHTS																
Rear Wheel	Caster		5"				6"				8"				8" x 2"	
	Fork hole		1	2	3	4	1	2	3	4	1	2	3	4	1	2
12" Mag	Axle Plate Orientation	Seat to Floor Height	5-1/4" Fork 1-1/2" Stem				6" Fork 3/4" Stem				6" Fork Std Stem				8x2" Fork Std Stem	
	5	16.25"	•				•									
	6	16.75"		•				•								
	7	17.25"			•				•			•				•
	8	17.75"				•				•			•			
16" Mag	Axle Plate Orientation	Seat to Floor Height	5-1/4" Fork Std Stem													
	3	14.50"	•													
	4	15.00"		•												
	Axle Plate Orientation	Seat to Floor Height	7" Fork 3/4" Stem				6" Fork 1-1/2" Stem				7" Fork Std Stem				8x2" Fork 3/4" Stem	
	5	17.50"		•				•			•					•
	6	18.00"			•				•			•				
	7	18.50"				•							•			
	8	19.00"												•		
20" Mag	Axle Plate Orientation	Seat to Floor Height	5-1/4" Fork 1-1/2" Stem				5-1/4" Fork 3/4" Stem				6" Fork Std Stem				8x2" Fork Std Stem	
	1	16.00"	•					•								
	2	16.50"		•					•							
	3	17.00"			•						•					•
	4	17.50"				•						•				
22" Mag	Axle Plate Orientation	Seat to Floor Height	6" Fork 1-1/2" Stem				5-1/4" Fork 1-1/2" Stem				6" Fork Std Stem				8x2" Fork Std Stem	
	1	17.00"	•					•				•				•
	2	17.50"		•					•				•			
	3	18.00"			•								•			•
	4	18.50"				•								•		
24" Spoke or Mag	Axle Plate Orientation	Seat to Floor Height	6" Fork 1-1/2" Stem				6" Fork 1-1/2" Stem				7" Fork Std Stem				8x2" Fork 3/4" Stem	
	1	17.75"	•					•				•				•
	2	18.25"		•					•				•			
	3	18.75"			•								•			•
	4	19.25"				•								•		
24" HP Clincher	Axle Plate Orientation	Seat to Floor Height	7" Fork 3/4" Stem				6" Fork 1-1/2" Stem				7" Fork Std Stem				8x2" Fork 3/4" Stem	
	1	17.50"		•				•			•					•
	2	18.00"			•				•			•				
	3	18.50"				•							•			
	4	19.00"												•		

Axle Plate Orientation

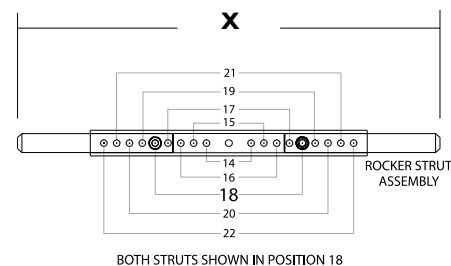


Caster Fork Hole Locations



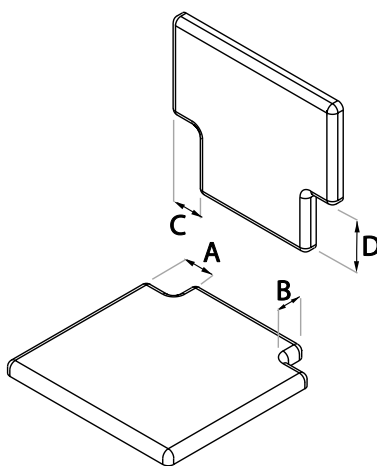
3.4 FRAME WIDTH

Both the base frame width and seat frame width are fully adjustable using the original components. The graphic to the right indicates the proper set-up.

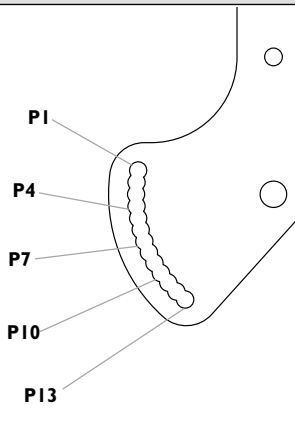


3.5 SEATING CUT-OUT AND BACK ANGLE SPECS

Recommended seat and back cut-out to provide a flush mount		
Back	Cut Out Width (C)	Cut out Length (D)
In front of the back posts	not needed	not needed
Between the back posts	3/4"	4 3/4" *
*From top of the seat rail		
Seat	Cut Out Width (A)	Cut out Length (B)
Above Seat Rail (1/4" or more) (Back at 90° or less)	2"	1 3/4"
Above Seat Rail (Back at more than 90°)	2"	4 1/2"
Below Seat Rail	2"	4 1/2"



Back Angle	
P1	80 Deg
P2	85 Deg
P3	90 Deg
P4	95 Deg
P5	100 Deg
P6	105 Deg
P7	110 Deg
P8	115 Deg
P9	120 Deg
P10	*
P11	*
P12	*
P13	*



*Use only to lock the back angle when adjusting.

3.6 BACK HEIGHTS AND STROLLER HANDLE ADJUSTMENT

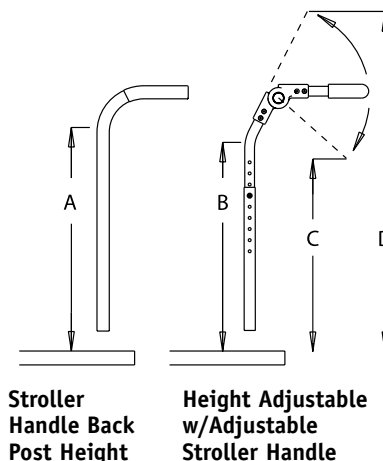
Stroller Handle Back Post Height			
Seat Rail to Radius (back height) (A)	18"	21"	24"
Seat Rail to Push Handle (push handle height) (A)	21.7"	24.7"	27.7"

Height Adjustable w/Adjustable Stroller Handle	
Seat Rail to Radius (Back Height)* (B)	16" to 20"
Seat Rail to Push Handle (Standard) Lowest Position** (C)	same as back height
Seat Rail to Push Handle (Standard) Highest Position** (D)	back height plus 11.5"
Seat Rail to Push Handle (Long) Lowest Position*** (C)	back height less 4"
Seat Rail to Push Handle (Long) Highest Position*** (D)	back height plus 17"

*Back height range of adjustment: 14" to 22"

**Adjustable push handle (Standard) range of adjustment: 11.5"

***Adjustable push handle (Tall) range of adjustment: 21" (Recommended for Vent Tray)



3.7 OVERALL WIDTH

In Addition to Seat Frame Width (Includes both wheels)				
	Quick-Release Axle*	Threaded Axle*	Aluminum H.R.	Plastic Coated
12" wheels	9 1/2"	9"	N/A	N/A
Mag	8 1/2"	8 1/2"	9 3/4"	10"
Spoke	8 1/2"	8 1/2"	10 3/4"	11"

*without handrims

3.8 OVERALL LENGTH

The overall length of the chair is 32 1/2" without anti-tip tubes.

Overall Length According to "Frame Depth Set Up By Depth" (Frame only, 6" Casters, 12" Rear Wheels)		
Frame Depth	Standard Frame	Vent and Battery Frame
15"	27 1/2"	34 1/2"
16"	27 1/2"	34 1/2"
17"	27 1/2"	35"
18"	28 1/2"	35 7/8"
19"	29"	36 1/2"
20"	30"	36 1/2"
21"	30 1/2"	37"
22"	31"	37 1/2"